

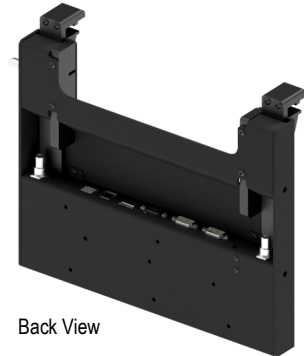
Dell Latitude 12 Rugged Tablet



Front View



Side View



Back View

Unique space-saving and ergonomic design of PMT's Dell Latitude 12 tablet vehicle dock offers ease-of-use, ensures user safety and provides device security

Feature	Benefit
Ergonomic, compact and small size	<ul style="list-style-type: none"> Thin, compact, low profile and small footprint; occupies less vehicle cabin space Ergonomic design has rounded corners and beveled edges for safety and protection
Aircraft-grade aluminum construction	<ul style="list-style-type: none"> Lightweight, high-strength aluminum for structural integrity Finished in high quality black epoxy powder coat for durability Aluminum offers corrosion resistance and vibration reduction
Unique design features	<ul style="list-style-type: none"> Easy docking and undocking of rugged tablet Dock is compatible with or without kickstand, extended I/O module, shoulder strap or nylon handle Convenient and easy access to front-mounted key lock, USB 2.0 and audio port
Flexible and easy-to-use key lock mechanism	<ul style="list-style-type: none"> Flexible non-captured lock mechanism allows for securing laptop without the use of a key Included key can be used when extra security or theft deterrence is required
Integrated genuine Dell Latitude printed circuit board and connector kit	<ul style="list-style-type: none"> Manufacturer-supplied electronics for laptop compatibility and reliability Full port replication ensures connectivity for communications and peripherals
Top-facing I/O ports	<ul style="list-style-type: none"> All I/O ports face same direction (including RF), allowing for slim profile of docking solution Easy access to I/O ports and built-in stylus; overall design protects cables while attached to dock Integrated strain relief provides safe and secure connectivity for peripherals
Dock mounting plate (VESA 75)	<ul style="list-style-type: none"> Mounting system flexibility and easy integration; fits existing or new installations
Certifications	<ul style="list-style-type: none"> MIL-STD 810G; SAE J1455. Tested and verified

Dimensions & Weight	
Width	11.79" (29.95 cm)
Height	9.75" (24.76 cm)
Depth	2.72" (6.90 cm)
Weight	4.8 lbs (2.17 kg)

USB 3.0	USB 2.0 (front)	Serial (RS-232)	Display Port	VGA	Ethernet	Speaker/Mic (front)	High Gain RF Pass-through
2	1	2	1	1	1	1	None or Dual

Warranty

Three (3) year limited warranty (electronic components)
Limited lifetime warranty (non-electronic components)