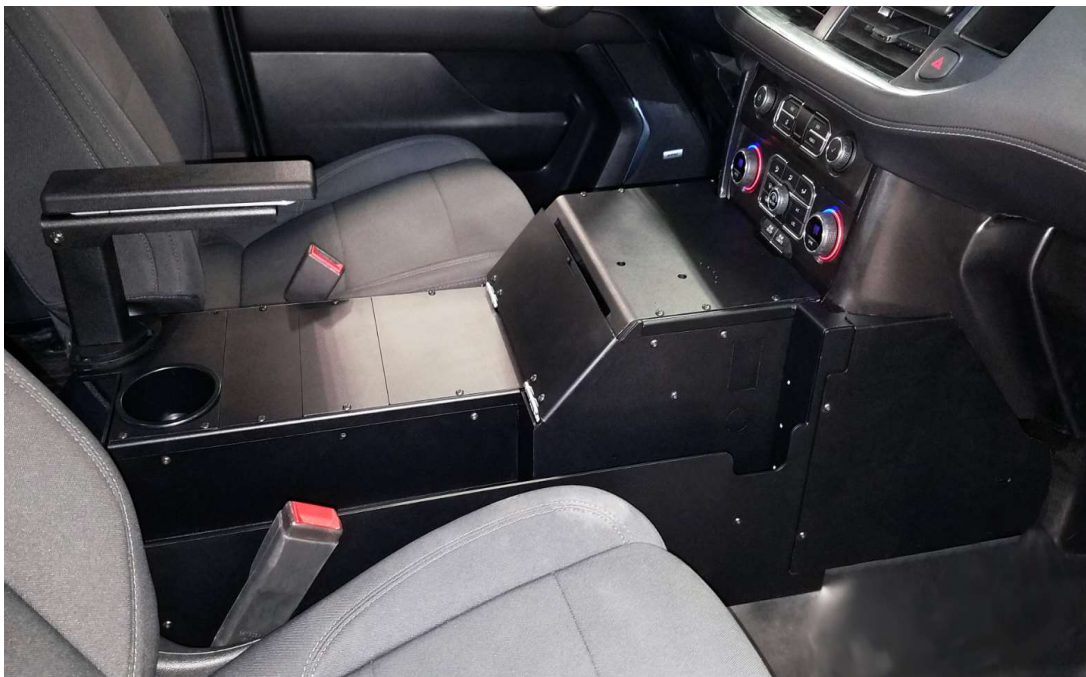
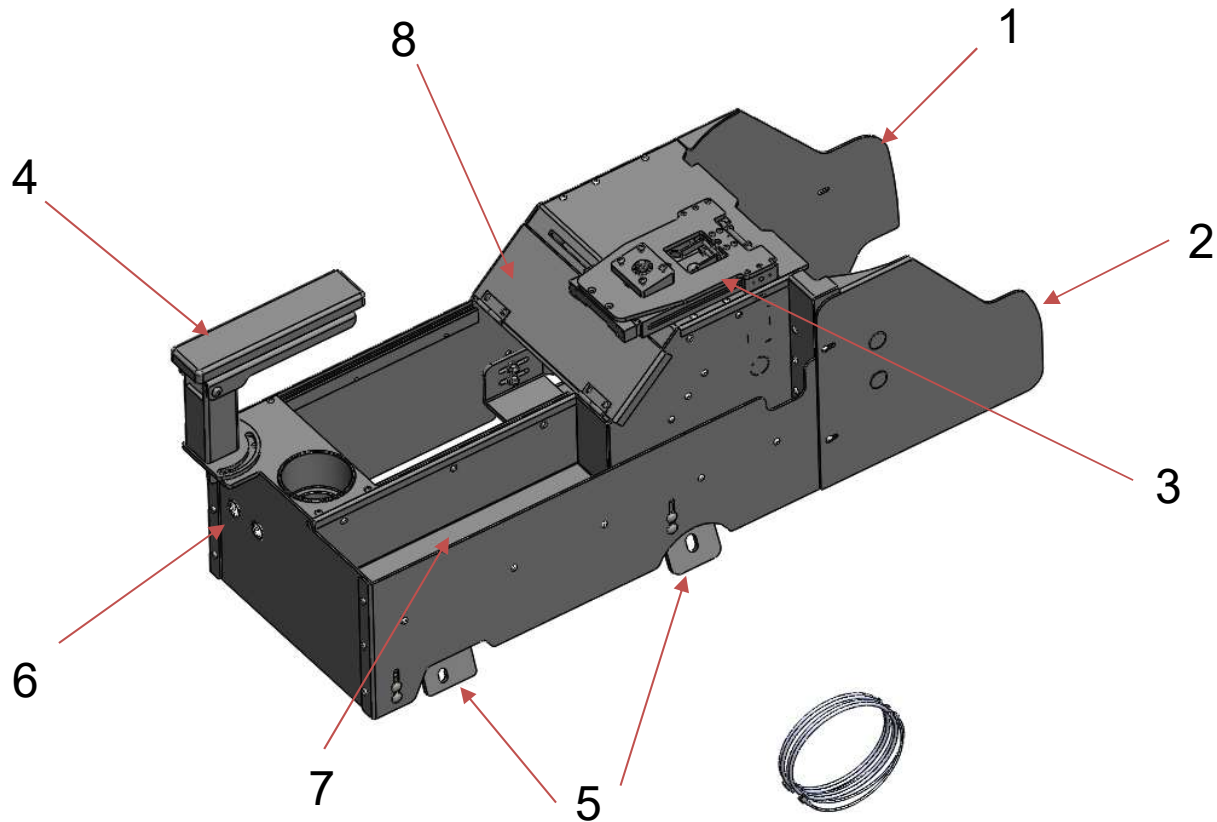


INSTALL GUIDE FOR PMT 2021 - PRESENT CHEVROLET TAHOE VEHICLE CONSOLE FULL WIDTH VERSION



Full width Tahoe 2021 - present console shown with optional blank faceplates, break-away armrest, cup holder and in-console printer

DESCRIPTION OF PARTS



1. Left panel - driver side wing
2. Right panel - passenger side wing
3. Flat mouse trap with wedge tilt to mount docking stations
4. Arm rest and Cup holder
5. Mounting brackets
6. 12 Volt charging outlet
7. Open rack storage space
8. In-Console printer kit

STEPS TO INSTALL

1. Remove OEM center seat, with 18mm socket. After removing the 4 bolts, remove the center seat, (keep bolts for re-use) disconnect any electrical harness. See fig 1



Fig 1

2. Relocating OEM USB & 12V. *First remove the lower center trim by loosening the bolt on the driver side with a 7mm socket then pull on the trim straight back (trim is held on by clips) *Trim that is holding the USB & 12V housing can be pulled out in the same manner. *Disconnect the harness. See fig 2



Fig 2

3. While trim is loose, to gain more length in the harness behind the trim, pop out the push in clips that are holding the harness then reinstall the center trim pieces. Install the USB & 12V housing on passenger side of console. See fig 3



Fig 3

4. With the center seat removed, place full width console in position and align 4 mounting holes on the console with OEM seat holes.

*Before installing OEM seat bolt, attach right panel-driver side wing and left panel passenger wing to the console (with provided #10 hardware) to ease the install. See fig 4.

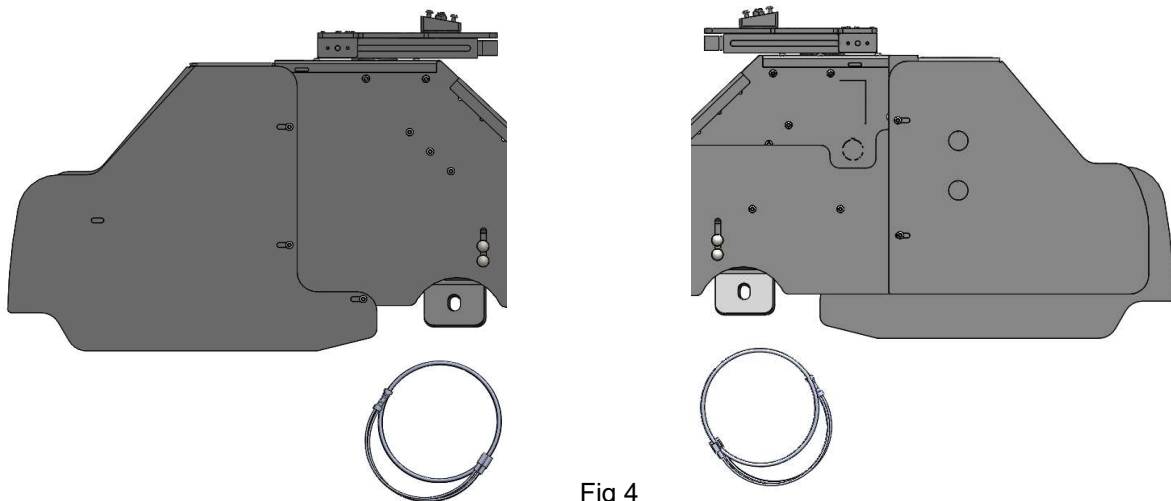


Fig 4

5. With the wings in place, the console can be attached to the vehicle with 4 OEM seat bolts (blue arrow). Torque bolt to OEM spec.
*Front 2 legs in the console can be loosened for adjustment if needed. Tighten down if loose.
See fig 5

6. With console in place, if vehicle has the front 110V plug, it can be installed on knockout on the passenger side wing.



Fig 5

7. With that, console install is complete and now it can be outfitted with required equipment as desired. See fig 6



Fig 6