



# TrimLine Vehicle Dock For Panasonic CF33 Laptop Computers

## User Guide

Description	Part Number
TrimLine Dock for Panasonic CF33 Laptop, NPT	AS7. P033.500
TrimLine Dock for Panasonic CF33 Laptop, DPT	AS7. P033.502
TrimLine Dock for Panasonic CF33 Laptop, NPT w/ Screen Lock Module	AS7. P033.510
TrimLine Dock for Panasonic CF33 Laptop, DPT w/ Screen Lock Module	AS7. P033.512
TrimLine Cradle for Panasonic CF33 Laptop	AS7. P033.504
TrimLine Cradle for Panasonic CF33 Laptop w/ Screen Lock Module	AS7. P033.514
TrimLine Dock for Panasonic CF33 Laptop, DPT – Cap. Lock	AS7.P033.522
CF33 Laptop Dock - Screen Lock Module	AS7. P033.006
CF33 Laptop Dock - Screen Support	AS7. P033.007

[www.precisionmounts.com](http://www.precisionmounts.com)

call us at 1-888-869-7652 | [info@precisionmounts.com](mailto:info@precisionmounts.com)

# General Instructions

## POWER:

- The power input should be **15.6Vdc / 7.05 A**. The dock is meant to operate on 14.5 Vdc to 16 Vdc. Use a recommended power supply for the dock. **Panasonic recommends using a Lind Auto Adapter (Lind part no: PA 1580-1745) for this dock.**

## WIRING:

- PMT does not recommend relying on a cigarette socket adaptor for powering vehicle docks. We recommend hard wiring using a good clean ground direct from the vehicle battery (-) post, and (+) supply from a fused 12v location also directly from the vehicle battery. All Peripherals connecting to the docking station should get power and ground from the same location as the dock.
- Visit [www.precisionmounts.com/support/installation-user-guides.html](http://www.precisionmounts.com/support/installation-user-guides.html) for a copy of our general wiring and troubleshooting guide.

## SERVICING [ENTRETIEN]:

- If the dock does not work as intended, please contact PMT for troubleshooting or to schedule a service. *[Si le dock ne fonctionne pas comme prévu, contactez PMT pour le dépannage ou pour planifier un service.]*
- Servicing of the dock should be only done by authorized service center personnel. Unauthorized servicing of the dock will void its warranty. *[L'entretien du dock ne doit être effectué que par le personnel du centre de service autorisé. Un entretien non autorisé du dock annulera sa garantie.]*

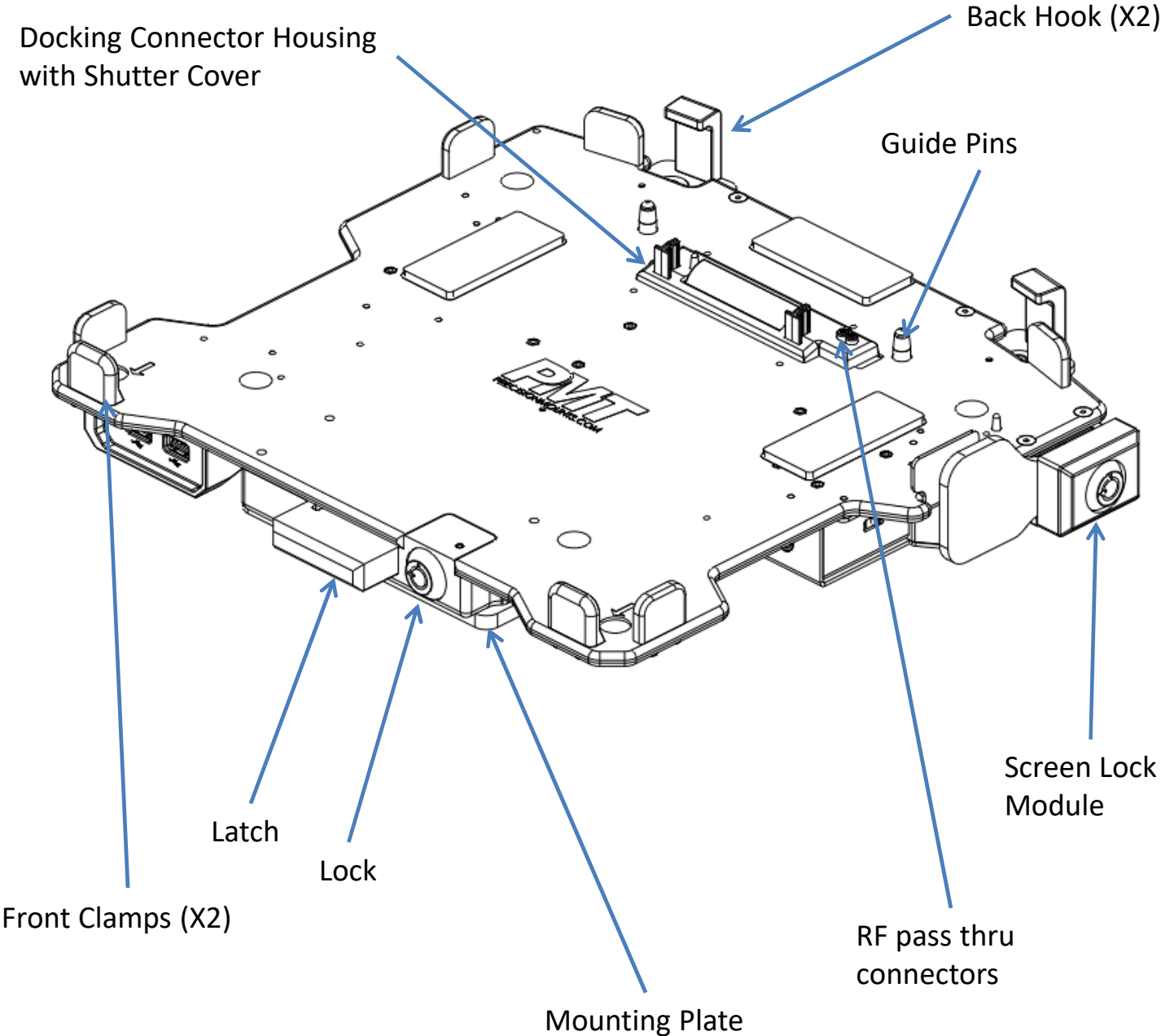
## EXTERNAL ANTENNA:

- For DPT (Dual Pass Thru) models, there is an option to turn off the external antenna. This switch is located next to power port of the dock. Toggle the switch gently – excess force might break the switch. Turning off the external antenna will let the computer use in-built antenna. By default, the dock comes with the switch in ON position.

# Description of Parts and Layout

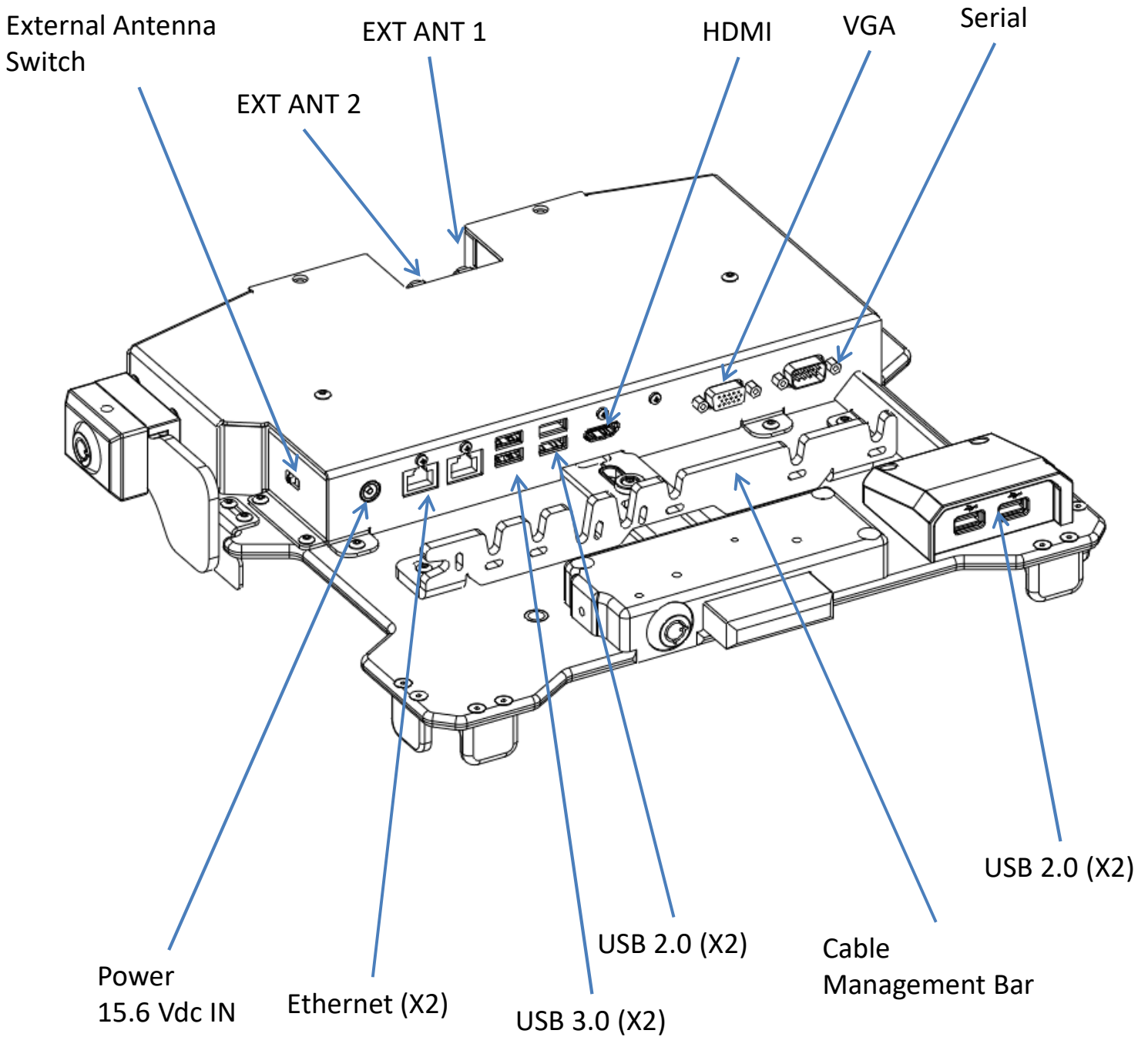
Note: All pictures used in this guide are of Dual Pass Thru (DPT) with Screen Lock Module (Part no: AS7.P033.512). However processes and information relate to other variants of the same dock mentioned in previous page.

## Front View



# Description of Parts Continued

## Rear View (without mounting plate)



# Docking the Laptop

## Step 1:

Ensure that the dock is unlocked and unlatched. If locked, insert key and rotate lock 90 degrees counter-clockwise. If latched, push the latch inside such that the back hooks move all the way out.

## Step 2:

Lead the front of the keyboard into the dock such that the pockets on keyboard line up with the front hooks. The side tabs should help aligning the laptop as well.

## Step 3:

Push gently in the back center of the keyboard so that back hook latches. A click sound should be heard when the back hook latches.

\*The laptop can be docked into the dock with lid open or close. If the lid is open, make sure that no keys are pressed while docking.

## Step 4:

[Additional security] Rotate key 90 degrees clockwise and remove the key to lock the laptop in the docking station. The tablet is only fully secure once the key is removed.



## Undocking the Laptop

### Step 1:

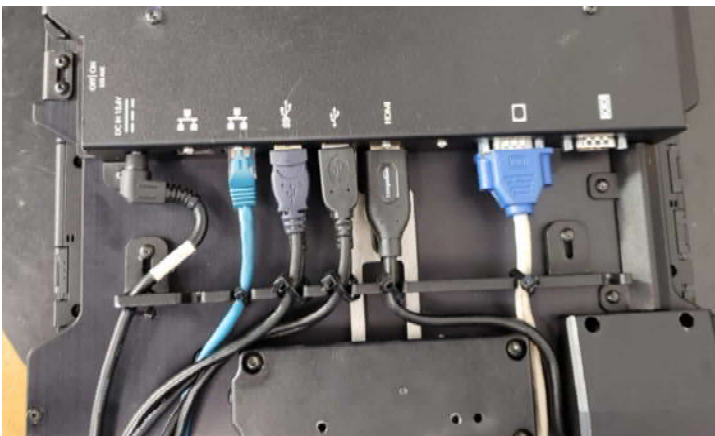
Ensure that the dock is unlocked. If locked, insert key and rotate lock 90 degrees counter-clockwise.

### Step 2:

Use your thumb to push the latch in the front. This will push the back clamp out and the laptop will eject with a small click sound. Once the laptop ejects, gently pull the laptop out of the dock



## Cable Management & Mounting



Connect all cables securely to dock ports, and use tie straps to secure cables to the "Cable Management Bar" as shown.

The cable tie bar has slots, so if needed, the location can be adjusted slightly.



The standard mounting bracket that comes with the vehicle dock features an industry standard VESA 75mm x 75mm bolt pattern. This allows easy mounting to many pre-existing mounts as well as dedicated mounts from PMT. Use the supplied # $\frac{1}{4}$ -20 hardware for attaching it to the mount.

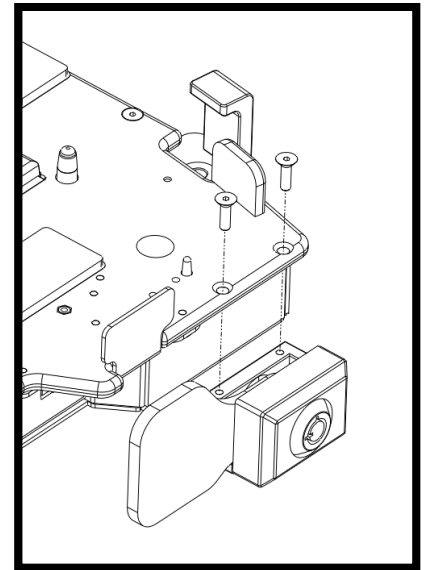
Attach the mounting bracket to the dock using the 4 supplied #10-24 UNC screws as shown above (after attaching the mounting plate to PMT mount)



## Screen Lock Module

Screen Lock Module prevents theft deterrence of the tablet from the laptop while it is in the dock. Screen Lock module is not included in all the kits. It comes attached to the dock if it is included in the kit.

A Screen Lock module could be purchased separately and installed later. If the Screen Lock was purchased separately, attach it to the passenger side of the dock using the #6-32 hardware provided (as shown aside).

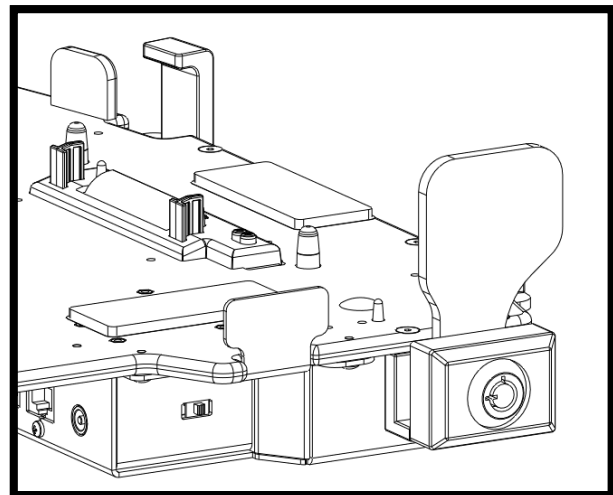
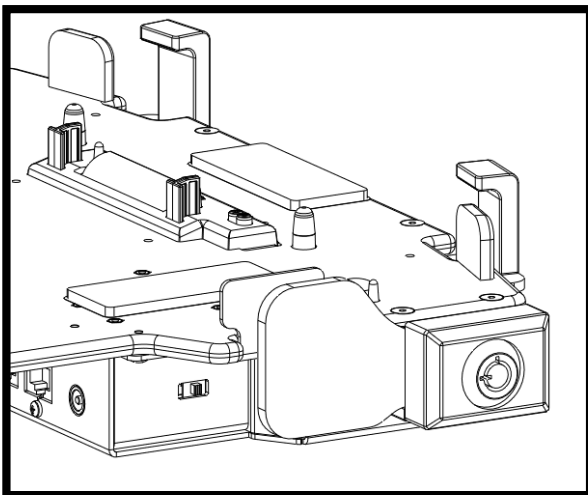


Below images show the Screen Lock Module in unlocked (arm is horizontal) and locked (arm is vertical) position.

Once the laptop is docked and locked, activate the screen lock module by inserting the key in the lock and rotating it 90 degrees in clock wise direction. This would rotate the arm by 90 degrees and block the tablet lock/unlock button on the keyboard tray.

The laptop can be docked/undocked from the dock irrespective of Screen Lock Module position. If needed the Screen Lock Module can be left always in locked position.

The Screen Lock Module can be locked/unlocked with the same key of the dock



## Screen Support

Screen Support provides additional support to the screen and reduce the screen rattle during dock usage. Screen Support is not included in any dock kits. It could be purchased separately and installed.

Attach it to the driver side of the dock using the #6-32 hardware provided (as shown below). The clearance between the screen support arm and the screen could be adjusted due to the mounting slots. Loosen the #6-32 (X2) screws and adjust the placement of the screen support.

