



DOCKING STATION FOR PANASONIC TOUGHBOOK® G2 LAPTOP AND TOUGHBOOK® 20

USER GUIDE

Description	Part Number
DOCKING STATION FOR PANASONIC TOUGHBOOK® G2 LAPTOP AND TOUGHBOOK® 20 FULL NPT	AS7.P020.100
DOCKING STATION FOR PANASONIC TOUGHBOOK® G2 LAPTOP AND TOUGHBOOK® 20 FULL DPT	AS7.P020.102
DOCKING STATION FOR PANASONIC TOUGHBOOK® G2 LAPTOP AND TOUGHBOOK® 20 LITE NPT	AS7.P020.600
DOCKING STATION FOR PANASONIC TOUGHBOOK® G2 LAPTOP AND TOUGHBOOK® 20 LITE DPT	AS7.P020.602

* Versions with power adapter also available denoted by '-ps' suffix on part number

GENERAL INSTRUCTIONS

Safety:

- Safety is dependent on the proper installation and servicing of this product. It is important to read and follow all instructions before installing this product.
- Proper installation requires a good understanding of automotive electrical systems and is recommended to be performed by qualified technicians only.
- There are no adjustments or user serviceable parts within this product. Opening the case will void the product warranty
- Do not install equipment or route wires in the deployment path of any air bag, or where it may interfere with critical safety or operating controls of any vehicle.

Wiring:

- PMT does not recommend relying on a cigarette socket adaptor for powering vehicle docks. We recommend hard wiring using a good clean ground direct from the vehicle battery (-) post, and (+) supply from a fused 12v location also directly from the vehicle battery. All Peripherals connecting to the docking station should get power and ground from the same location as the dock.
- Visit www.precisionmounts.com/support/installation-user-guides.html for a copy of our general wiring and troubleshooting guide.

Proper Use and Care:

- Proper care and use of this product is critical to maximize safety and to prevent damage to the docking station and laptop.
- Do not store, place, or drag any object on top of the docking station.
- Visually inspect the docking station and laptop for any defect before using the dock or docking the laptop. Do not use if damaged.
- Any modifications made to the docking station could result in adverse performance and damage to the laptop and/or docking station and will void the warranty.
- Do not attempt to dock a computer or dock with wet contacts

SERVICING [ENTRETIEN]:

- If this product does not work as intended, please contact PMT for troubleshooting or to schedule a service. *[Si le dock ne fonctionne pas comme prévu, contactez PMT pour le dépannage ou pour planifier un service.]*
- Service should be only done by authorized service center personnel. Unauthorized servicing of the unit will void its warranty. *[L'entretien du dock ne doit être effectué que par le personnel du centre de service autorisé. Un entretien non autorisé du dock annulera sa garantie.]*

Product Mounting Disclaimer

Precision Mounting Technologies Ltd (PMT) are not liable under any theory of contract or tort law for any loss, damage, personal injury, special, incidental or consequential damages for personal injury or other damage of any nature arising directly or indirectly as a result of the improper installation or use of its products in vehicle or any other application. In order to safely install and use PMT products full consideration of vehicle occupants, vehicle systems (i.e., the location of fuel lines, brake lines, electrical, drive train or other systems), air-bags and other safety equipment is required. PMT specifically disclaims any responsibility for the improper use or installation of its products not consistent with original vehicle manufactures' specifications and recommendations, PMT product instruction sheets, or workmanship standards as endorsed through PMT policies and EULA.



GENERAL INSTRUCTIONS

Power:

- The power input should be 15.6Vdc / 7.05 A.
- The dock is meant to operate on 14.5 Vdc to 16 Vdc.
- Panasonic recommends using a Lind Auto Adapter (PMT part no: PS001) for this dock.
- Power must only be supplied to either the dock or the laptop. Never at the same time.

Environmental:

- Storage: -40°C to 85°C (-40°F to 185°F)
- Operating: -10°C to 63°C (14°F to 145.4°F)

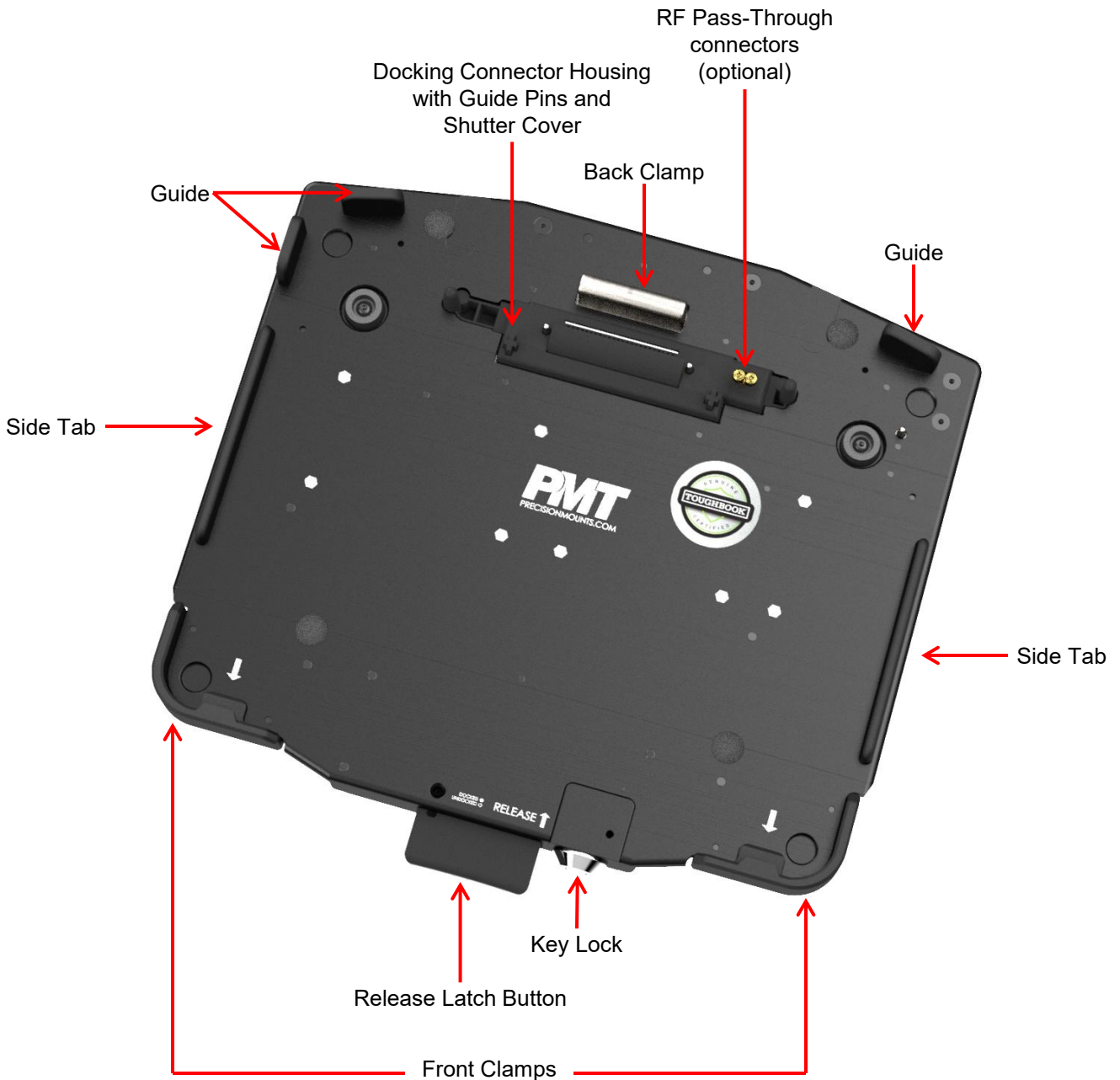
External Antenna:

- For DPT (Dual Pass Thru) models, there is an option to turn off the external antenna. This switch is located next to power port of the dock. Toggle the switch gently – excess force might break the switch. Turning off the external antenna will let the computer use in-built antenna. By default, the dock comes with the switch in ON position.

DESCRIPTION OF PARTS

Note: All pictures used in this guide are of Dual Pass Thru (DPT) vehicle dock (Part no: AS7.P020.102). However, processes and information relate to other variants of the same dock mentioned in previous page.

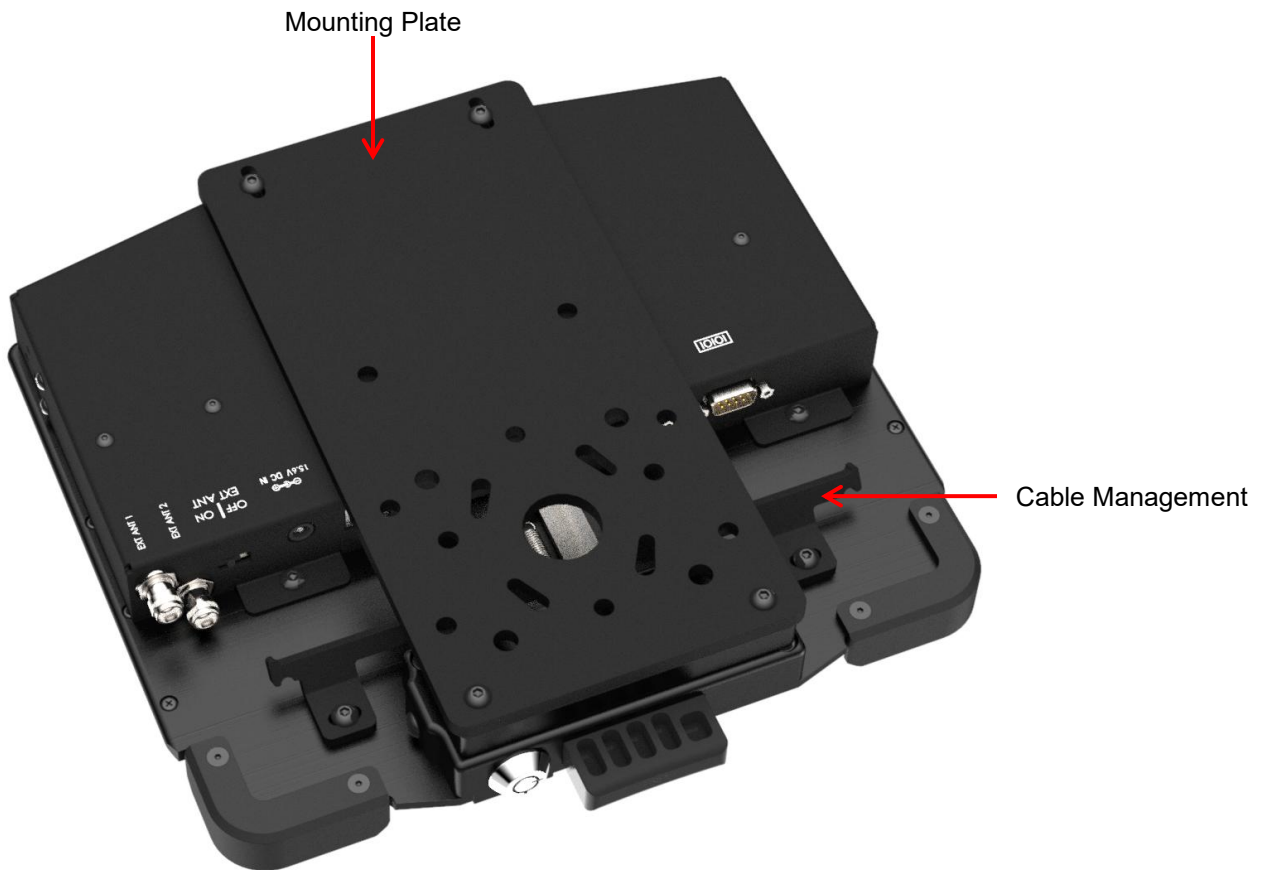
FRONT VIEW



DESCRIPTION OF PARTS

Note: All pictures used in this guide are of Dual Pass Thru (DPT) vehicle dock (Part no: AS7.P020.102). However, processes and information relate to other variants of the same dock mentioned in previous page.

BACK VIEW

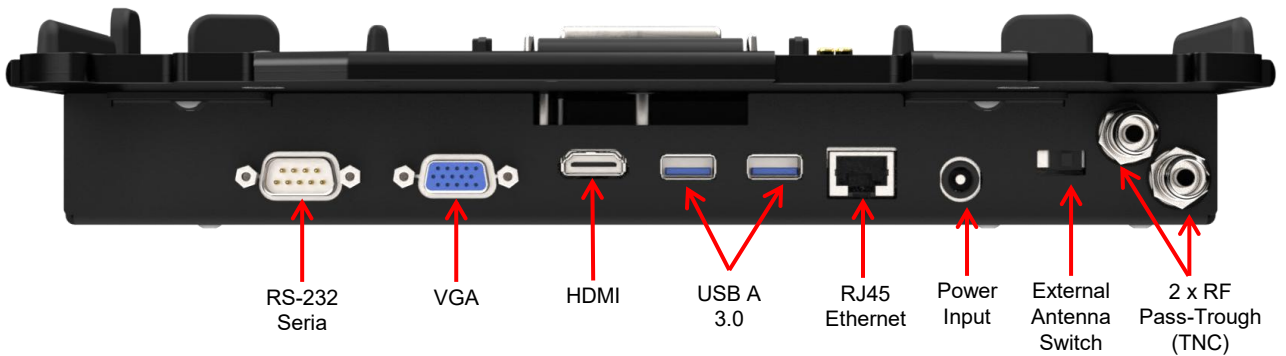


DESCRIPTION OF PARTS

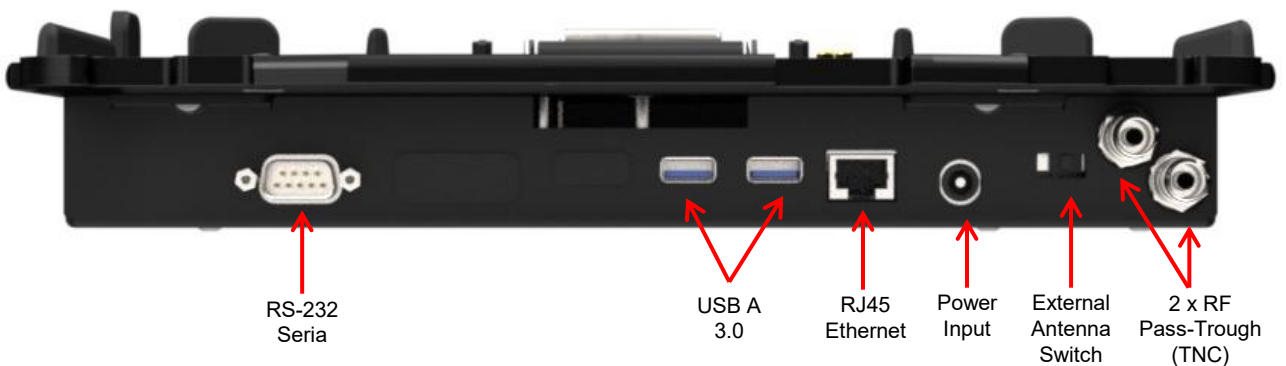
Note: All pictures used in this guide are of Dual Pass Thru (DPT) vehicle dock (Part no: AS7.P020.102). However, processes and information relate to other variants of the same dock mentioned in previous page.

PORT VIEW

FULL VERSION



LITE VERSION



INSTALLATION INSTRUCTIONS

Docking the Laptop

Step 1

Ensure that the dock is unlocked. If locked, insert key and rotate lock 90 degrees counter-clockwise.

Step 2

Lead the front of the keyboard into the dock such that the pockets on keyboard line up with the front clamps. The side tabs should help aligning the laptop as well.

Step 3

Push gently in the back center of the keyboard so that back guide latches. A small click sound should be heard when the back hook latches.

NOTE: The laptop can be docked into the dock with lid open or close. If the lid is open, make sure that no keys are pressed while docking.

Step 4

[Additional security] Rotate key 90 degrees clockwise and remove the key to lock the laptop in the docking station. The tablet is only fully secure once the key is removed.



INSTALLATION INSTRUCTIONS

Docking the Laptop

Step 5

To ensure that the laptop is docked correctly and completely, check the docked/undocked sign in the front of the dock (above the latch). The is docked correctly if the hole turns “silver” completely. The laptop is undocked or not docked if the hole remains “black” or partially “silver”.



Undocking the Laptop

Step 1

Ensure that the dock is unlocked. If locked, insert key and rotate lock 90 degrees counter-clockwise.

Step 2

Use your thumb to push the latch in the front. This will push the back clamp out and the laptop will eject with a small click sound. Once the laptop ejects, gently pull the laptop out of the dock



INSTALLATION INSTRUCTIONS

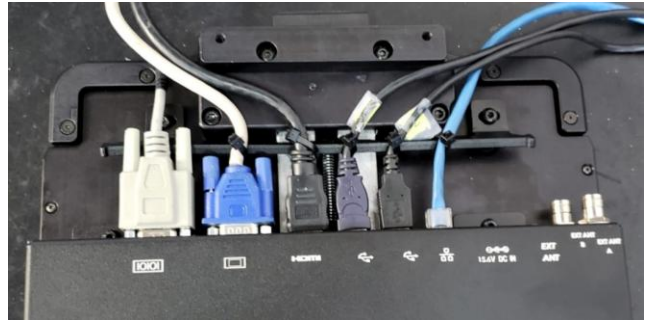
Cable Management and Mounting

Connect all cables securely to dock ports and use tie straps to secure cables to the Cable Management bar as shown.

The cable tie bar has slots, so if needed, the location can be adjusted slightly.

Once you have attached all cables to the vehicle dock, attach the mounting plate to the dock using the 4 supplied #10-24 UNC screws.

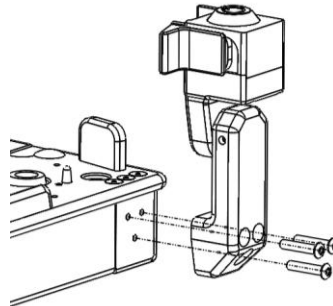
The standard mounting plate that comes with the vehicle dock features an industry standard VESA 75mm x 75mm bolt pattern. This allows easy mounting to many pre-existing mounts as well as dedicated mounts from PMT. Use the supplied #1/4-20 hardware for mounting. Attach the mounting bracket in the orientation shown aside.



INSTALLATION INSTRUCTIONS

Screen lock or Support

The Screen Lock provides theft deterrence of the tablet from the laptop while it is in the dock. The Screen Lock module is included in certain dock SKU's and is also available as a separate add-on module (PMT part# AS7.P020.001) and compatible only with Panasonic TOUGHBOOK 20 laptops.



Once the Screen Lock module is attached to the dock:

While docking, make sure that the plastic tab is moved all the way right so that it is not obstructing while docking the laptop into the dock.

Once the laptop is docked securely, rotate the key 90 degrees clockwise and remove the key to lock the Screen Lock. This will secure the tablet to the keyboard and the dock.

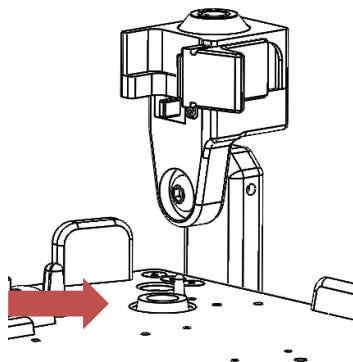


Once the Screen Lock is locked, push the plastic tab to the left. This will minimize the screen rattle during extreme vibration.

Before you undock the laptop, make sure the screen lock is unlocked.

NOTE

The Screen Lock arm might get loose after repetitive use (10,000 cycles). If the arm gets loose, tighten the 1/4"-20 screw, as shown to the left, to desired torque using an allen key



The screen lock/support is a patented design. US Patent Number: 10,067,533