



TRIMLINE VEHICLE DOCK FOR DURABOOK U11 TABLET

USER GUIDE

Description	Part Number
DOCKING STATION FOR DURABOOK U11 STANDARD NPT	AS7.D011.100-P
DOCKING STATION FOR DURABOOK U11 STANDARD TPT	AS7.D011.103-P
CRADLE FOR DURABOOK U11 STANDARD	AS7.D011.104-P
CRADLE FOR DURABOOK U11 STANDARD TPT	AS7.D011.105-P
DOCKING STATION FOR DURABOOK U11 EXTENDED NPT	AS7.D011.200-P
DOCKING STATION FOR DURABOOK U11 EXTENDED TPT	AS7.D011.203-P
CRADLE FOR DURABOOK U11 EXTENDED	AS7.D011.204-P
CRADLE FOR DURABOOK U11 EXTENDED TPT	AS7.D011.205-P

GENERAL INSTRUCTIONS

Safety:

- Safety is dependent on the proper installation and servicing of this product. It is important to read and follow all instructions before installing this product.
- Proper installation requires a good understanding of automotive electrical systems and is recommended to be performed by qualified technicians only.
- There are no adjustments or user serviceable parts within this product. Opening the case will void the product warranty
- Do not install equipment or route wires in the deployment path of any air bag, or where it may interfere with critical safety or operating controls of any vehicle.

Wiring:

- PMT does not recommend relying on a cigarette socket adaptor for powering vehicle docks. We recommend hard wiring using a good clean ground direct from the vehicle battery (-) post, and (+) supply from a fused 12v location also directly from the vehicle battery. All Peripherals connecting to the docking station should get power and ground from the same location as the dock.
- Visit <https://www.precisionmounts.com/product-information> for a copy of our general wiring and troubleshooting guide.

Proper Use and Care:

- Proper care and use of this product is critical to maximize safety and to prevent damage to the docking station and tablet.
- Do not store, place, or drag any object on top of the docking station.
- Visually inspect the docking station and tablet for any defect before using the dock or docking the laptop. Do not use if damaged.
- Do not attempt to dock a computer or dock with wet contacts

SERVICING [ENTRETIEN]:

- If this product does not work as intended, please contact PMT for troubleshooting or to schedule a service. *[Si le dock ne fonctionne pas comme prévu, contactez PMT pour le dépannage ou pour planifier un service.]*
- Service should be only done by authorized service center personnel. Unauthorized servicing of the unit will void its warranty. *[L'entretien du dock ne doit être effectué que par le personnel du centre de service autorisé. Un entretien non autorisé du dock annulera sa garantie.]*

Product Mounting Disclaimer

Precision Mounting Technologies Ltd (PMT) are not liable under any theory of contract or tort law for any loss, damage, personal injury, special, incidental or consequential damages for personal injury or other damage of any nature arising directly or indirectly as a result of the improper installation or use of its products in vehicle or any other application. In order to safely install and use PMT products full consideration of vehicle occupants, vehicle systems (i.e., the location of fuel lines, brake lines, electrical, drive train or other systems), air-bags and other safety equipment is required. PMT specifically disclaims any responsibility for the improper use or installation of its products not consistent with original vehicle manufactures' specifications and recommendations, PMT product instruction sheets, or workmanship standards as endorsed through PMT policies and EULA.

GENERAL INSTRUCTIONS

Power:

- The power input should be 19 VDC, 65W. Use a recommended power supply for the dock.

Environmental:

- Storage: -40°C to 71°C (-40°F to 159.8°F)
- Operating: -20°C to 60°C (-4°F to 140°F)

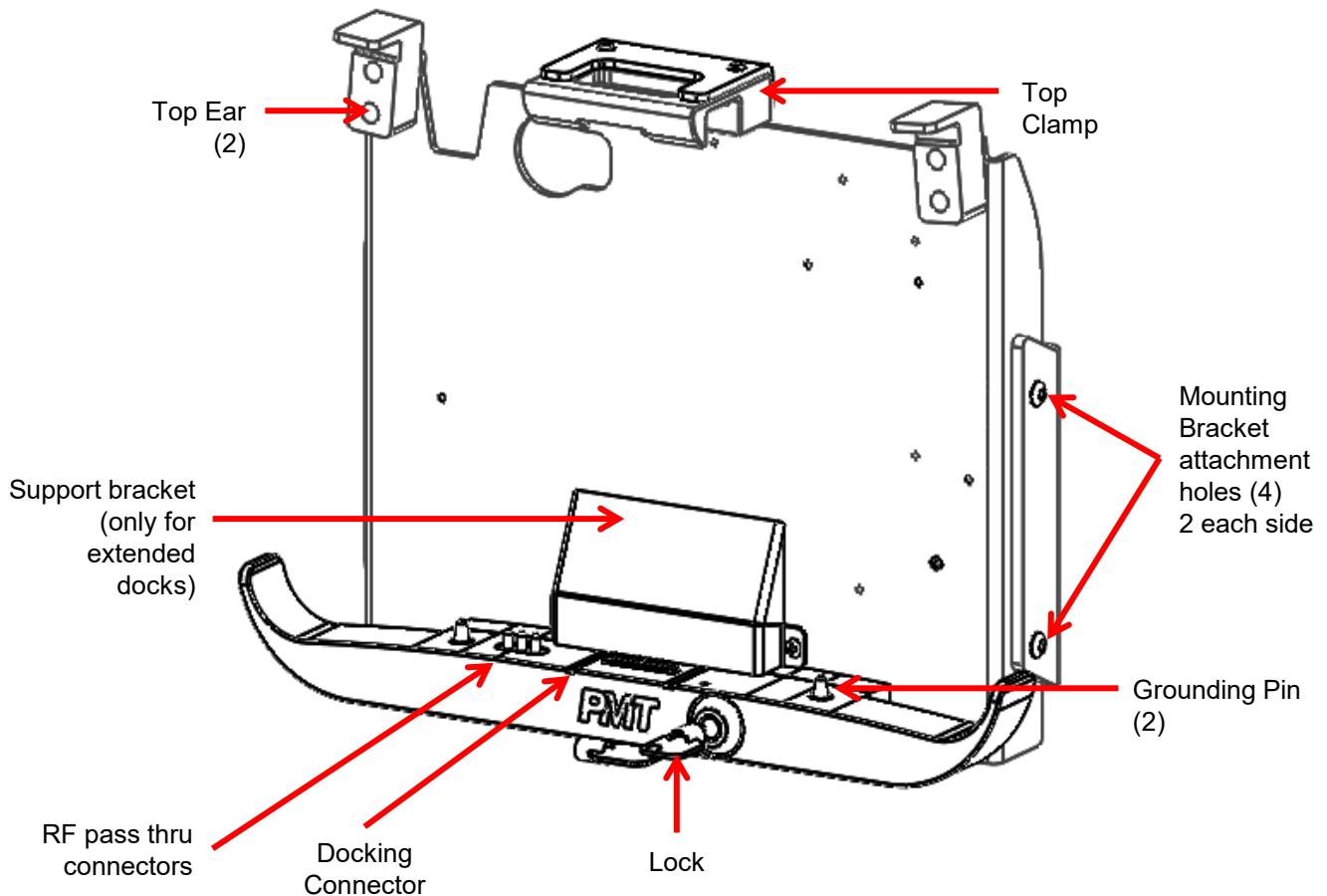
Accessories:

- Only EXTENDED dock will accommodate tablet additional accessory attachments such as extended battery, hand strap etc.
- Rear camera and fingerprint scanner are accessible even when the tablet is docked (in both dock variants).

DESCRIPTION OF PARTS

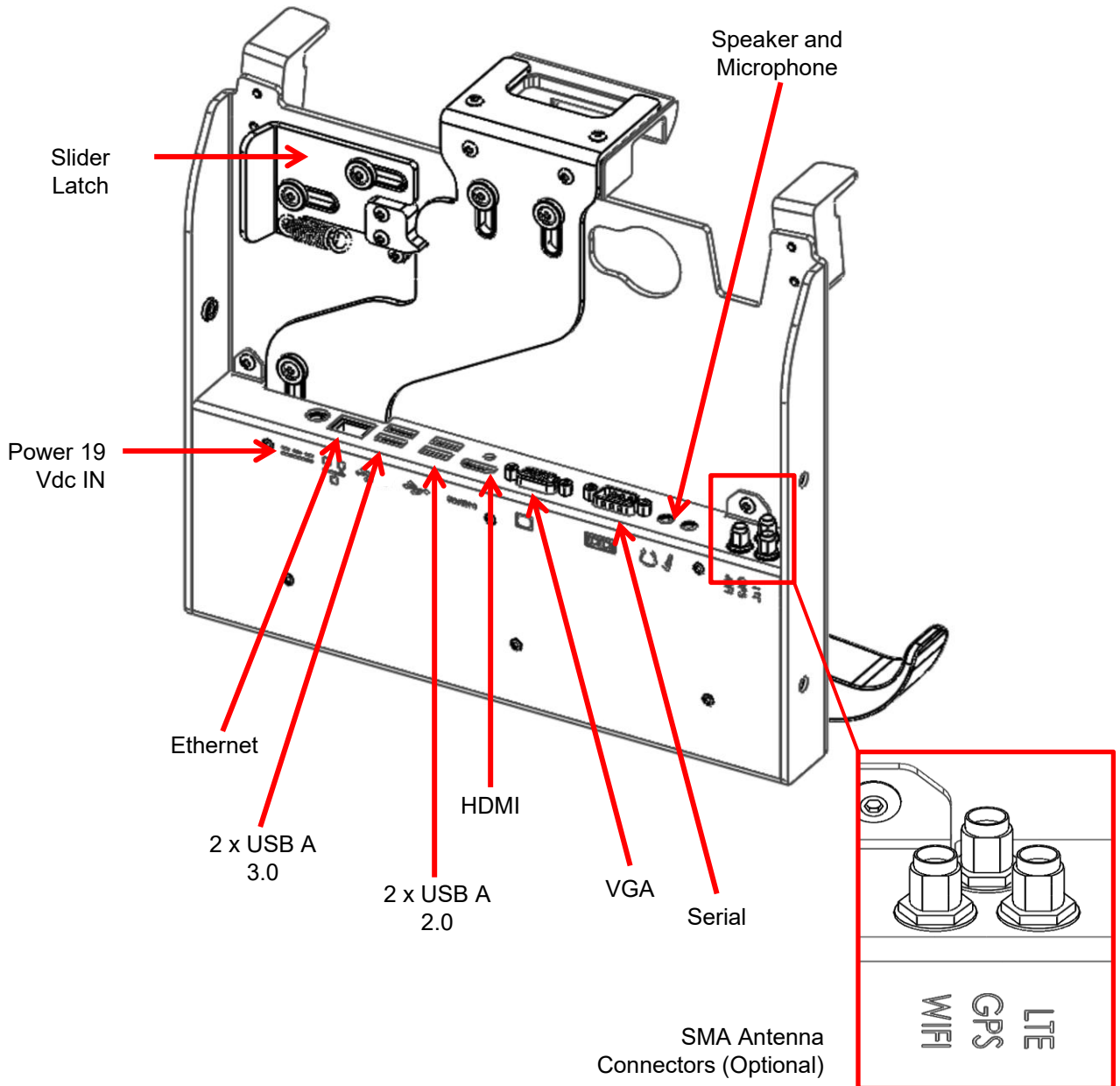
Note: All pictures used in this guide are of Extended, triple pass thru (TPT) vehicle dock (Part no: AS7.D011.203). However, processes and information relate to other variants of the same dock mentioned in previous page.

Front View



DESCRIPTION OF PARTS

Rear View



INSTALLATION INSTRUCTIONS

Docking the Tablet

Step 1

Ensure that the dock is unlocked and unlatched. If locked, insert key and rotate lock 90 degrees counter-clockwise. To unlatch, pull the Slider Latch away from the center. This allows the Top Clamp to spring up to open position.

Step 2

Lead the bottom of the tablet into the dock using the guide pins for positioning.

Step 3

Push the top of the tablet back into the dock. The tablet should be held in place by the Top Ears. Gently push the Top Clamp downward till it latches and a click sound is heard.

Step 4

[Additional security] Rotate key 90 degrees clockwise and remove the key to lock the tablet in the docking station. The tablet is only fully secure once the key is removed.



INSTALLATION INSTRUCTIONS

Undocking the Tablet

Step 1

Ensure that the dock is unlocked. If locked, insert key and rotate lock 90 degrees counterclockwise.

Step 2

Unlatch the dock by pulling the Latch Slider away from the center. This allows the Top Clamp to spring up to open position.

Step 3

Tilt the top of the tablet out and past the Top Clamp, then remove from the dock. The dock can be left as is making re-docking of the tablet easier.

Step 4

[Optional] Push the Top Clamp downward to the latched position.



INSTALLATION INSTRUCTIONS

Cable Management and Mounting

Connect all cables securely to dock ports, and use tie straps to secure cables to the “Mounting Bracket” as shown.

The mounting bracket has slots, so that the tie straps can be secured at desired location.

Once you have attached all cables needed to the vehicle dock, attach the mounting bracket to the dock using the 4 supplied #10-24 UNC screws (2 on each side)

The standard mounting bracket that comes with the PMT U11 tablet dock features an industry standard VESA 75mm x 75mm bolt pattern. This allows easy mounting to many pre-existing mounts as well as dedicated mounts from PMT. Use the supplied #1/4-20 hardware for mounting.

