



DOCKING STATION FOR GAMMATECH DURABOOK R11 TABLET COMPUTERS

USER GUIDE

Description	Part Number
DOCKING STATION FOR DURABOOK R11 DPT STANDARD	AS7.G011.102-P
CRADLE FOR DURABOOK R11 TRIMLINE STANDARD	AS7.G011.104
CRADLE FOR DURABOOK R11 TRIMLINE EXTENDED	AS7.G011.202-P
DOCKING STATION FOR DURABOOK R11 DPT EXTENDED	AS7.G011.204

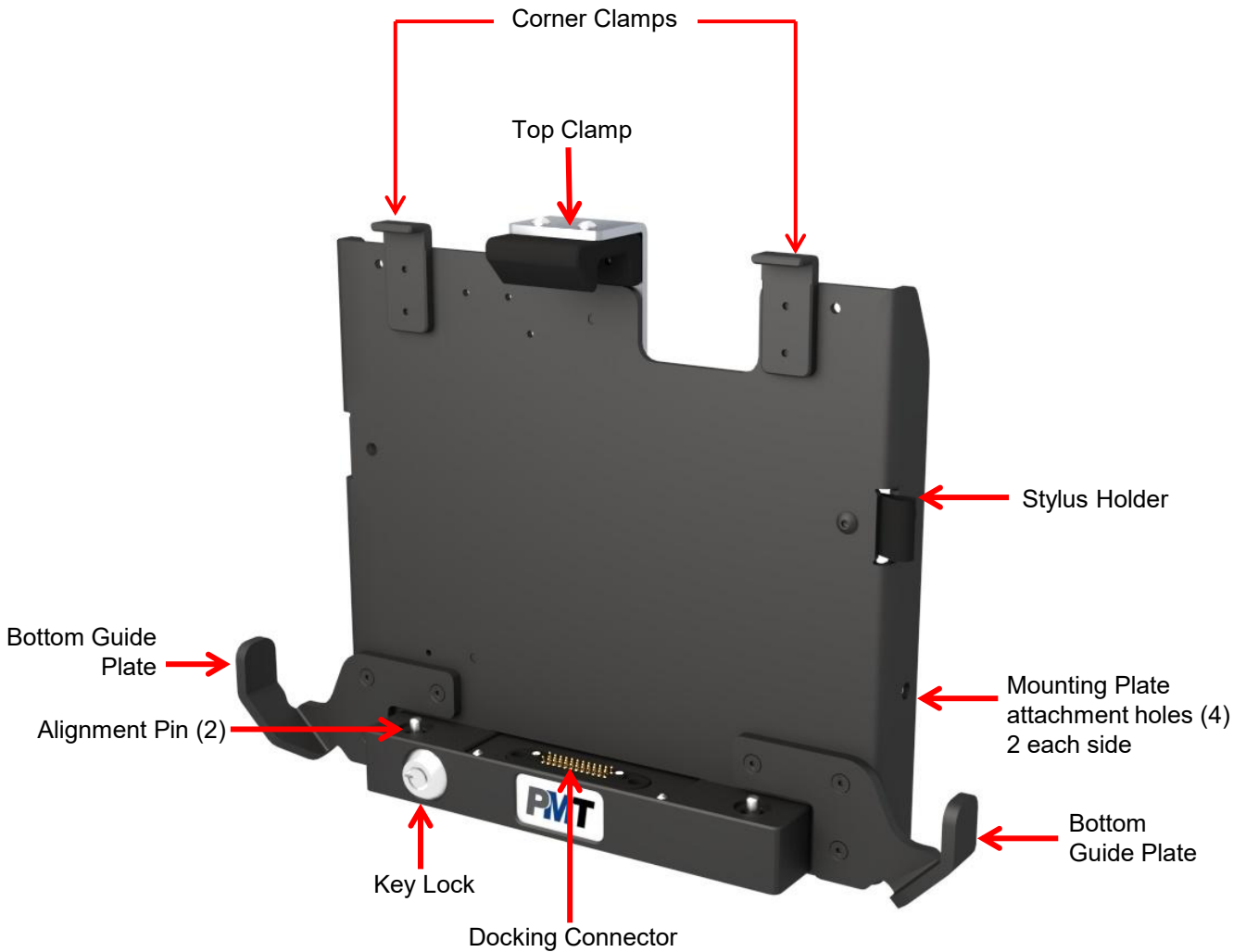
Product Mounting Disclaimer

Precision Mounting Technologies Ltd (PMT) are not liable under any theory of contract or tort law for any loss, damage, personal injury, special, incidental or consequential damages for personal injury or other damage of any nature arising directly or indirectly as a result of the improper installation or use of its products in vehicle or any other application. In order to safely install and use PMT products full consideration of vehicle occupants, vehicle systems (i.e., the location of fuel lines, brake lines, electrical, drive train or other systems), air-bags and other safety equipment is required. PMT specifically disclaims any responsibility for the improper use or installation of its products not consistent with original vehicle manufactures' specifications and recommendations, PMT product instruction sheets, or workmanship standards as endorsed through PMT policies and EULA.



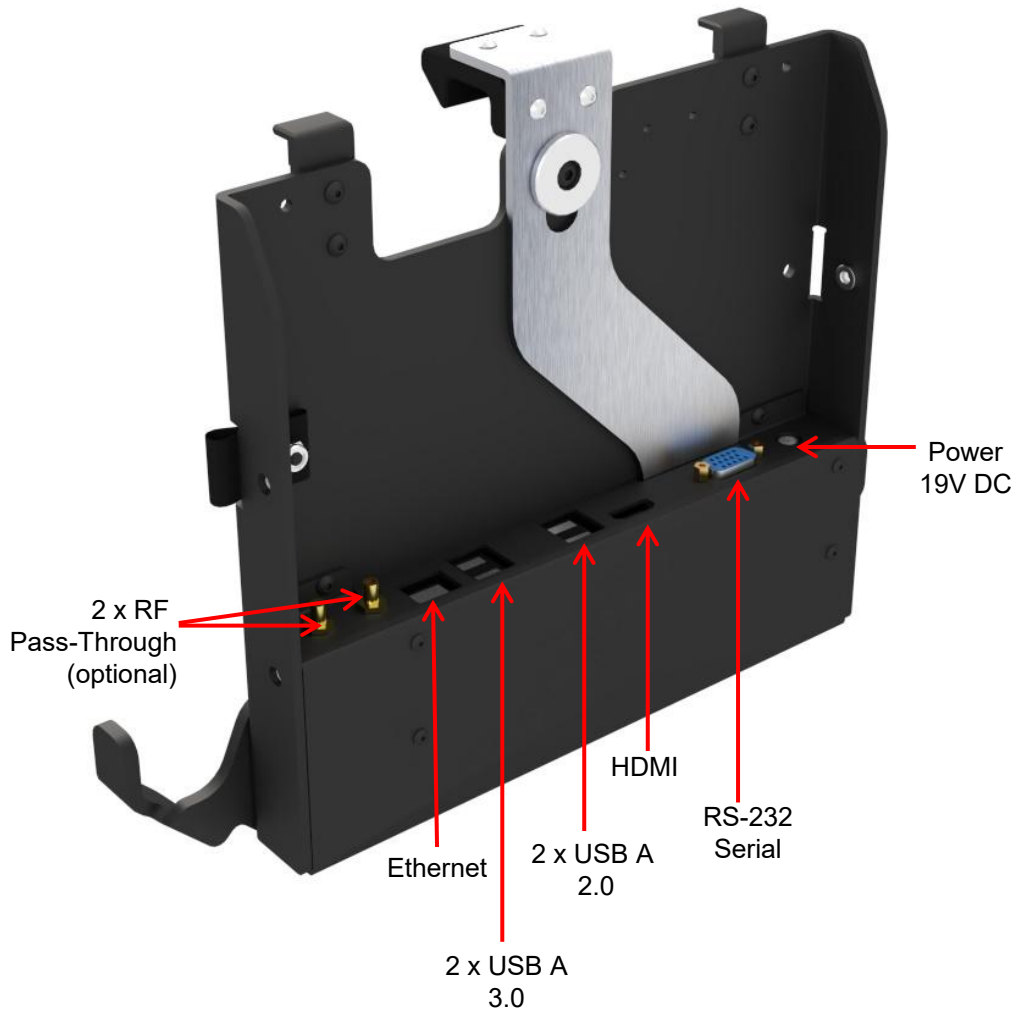
DESCRIPTION OF PARTS

Front View



DESCRIPTION OF PARTS

Rear View



*TNC adapters available

INSTALLATION INSTRUCTIONS

Docking the Tablet

Step 1

Ensure the dock is unlocked

- Insert key and rotate to unlocked position
- Top clamp will move freely



Step 2

Insert the computer bottom first and carefully align the tablet onto the locating pins using the bottom guide plate for positioning



Step 3

Press the tablet back into the dock which will force the top clamp up and spring into place when tablet is fully seated



Step 4

Lock

- Insert key, rotate to locked position, remove key

INSTALLATION INSTRUCTIONS

Undocking the Tablet

Step 1

Unlock

- Insert key and rotate to unlocked position



Step 2

Use your thumb(s) to move the top clamp up and away from the tablet



Step 3

Simultaneously hold the top clamp up while tilting the top of tablet away from the dock. Once clear, release the top clamp and remove the tablet from the dock



Step 4

At this point you can either rotate the key 90 degrees clockwise and remove it, or leave it in place so the tablet can be re-inserted again quickly



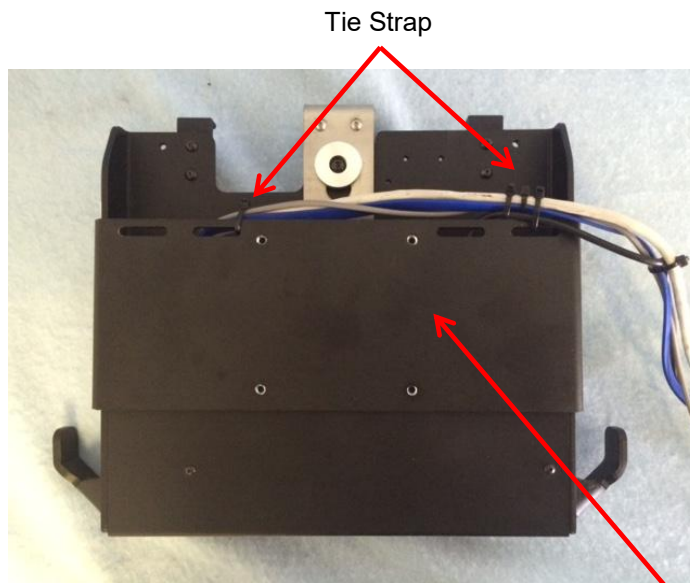
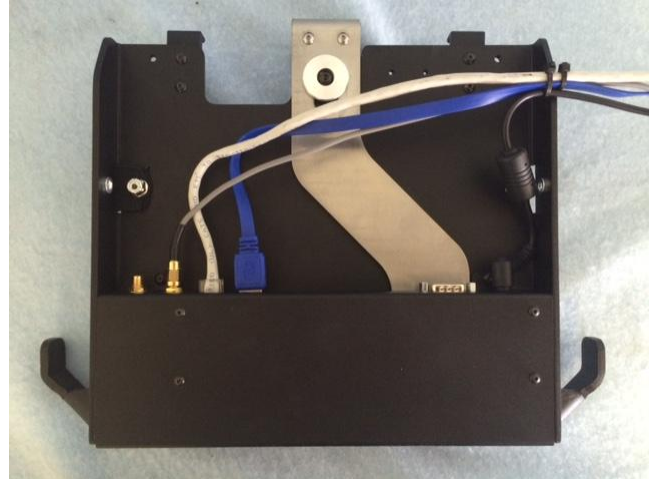
INSTALLATION INSTRUCTIONS

Cable Management and Mounting

Connect all cables securely to dock connections and use tie straps to secure cables to the built-in slots on the mounting/interface plate.

Tip

PMT does not recommend relying on a cigarette socket adaptor for powering vehicle docks. We recommend hard wiring using a good clean ground direct from the vehicle battery (-) post, and (+) supply from a fused 12v location also directly from the vehicle battery. All Peripherals connecting to the docking station should get power and ground from the same location as the dock.



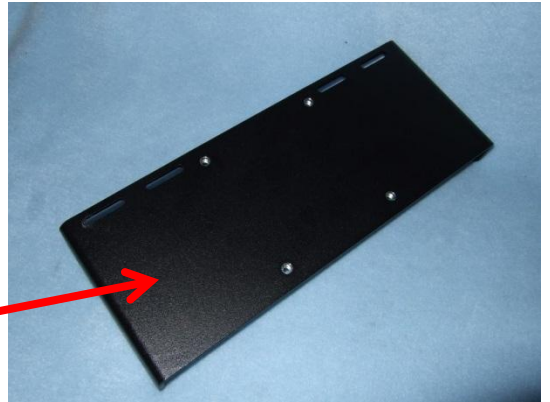
Tie Strap

PMT VESA 75mm x 75mm
mounting/interface plate

INSTALLATION INSTRUCTIONS

Cable Management and Mounting

Once you have attached all cables needed to the vehicle dock, attach the mounting/interface plate to the dock using the 4 supplied 10-24 UNC screws as shown



Description	Part Number
PMT VESA 75MM X 75MM MOUNTING/INTERFACE PLATE	AS7.P001.001

The standard mounting/interface plate that comes with the PMT G1 Trimline vehicle dock features an industry standard VESA 75mm x 75mm bolt pattern. This allows easy mounting to many pre-existing mounts as well as dedicated mounts from PMT. The screws needed for this are M4 x 12mm.

