



# TRIMLINE VEHICLE DOCK FOR DURABOOK R8 TABLET

## USER GUIDE

| Description                                | Part Number  |
|--|--------------|
| DOCKING STATION FOR DURABOOK R8 TABLET NPT | AS7.D008.100 |
| DOCKING STATION FOR DURABOOK R8 TABLET TPT | AS7.D008.102 |
| CRADLE FOR DURABOOK R8 TABLET              | AS7.D008.104 |

#### Product Mounting Disclaimer

Precision Mounting Technologies Ltd (PMT) are not liable under any theory of contract or tort law for any loss, damage, personal injury, special, incidental or consequential damages for personal injury or other damage of any nature arising directly or indirectly as a result of the improper installation or use of its products in vehicle or any other application. In order to safely install and use PMT products full consideration of vehicle occupants, vehicle systems (i.e., the location of fuel lines, brake lines, electrical, drive train or other systems), air-bags and other safety equipment is required. PMT specifically disclaims any responsibility for the improper use or installation of its products not consistent with original vehicle manufactures' specifications and recommendations, PMT product instruction sheets, or workmanship standards as endorsed through PMT policies and EULA.



# GENERAL INSTRUCTIONS

## Safety:

- Safety is dependent on the proper installation and servicing of this product. It is important to read and follow all instructions before installing this product.
- Proper installation requires a good understanding of automotive electrical systems and is recommended to be performed by qualified technicians only.
- There are no adjustments or user serviceable parts within this product. Opening the case will void the product warranty
- Do not install equipment or route wires in the deployment path of any air bag, or where it may interfere with critical safety or operating controls of any vehicle.

## Wiring:

- PMT does not recommend relying on a cigarette socket adaptor for powering vehicle docks. We recommend hard wiring the power adapter using a good clean ground direct from the vehicle battery neg(-) post, and pos(+) supply from a fused 12Vdc location also directly from the vehicle battery. All peripherals connecting to the docking station requiring external power should get power and ground from the same location as the dock.
- Visit [www.precisionmounts.com/support/installation-user-guides.html](http://www.precisionmounts.com/support/installation-user-guides.html) for a copy of our general wiring and troubleshooting guide.

## Proper Use and Care:

- Proper care and use of this product is critical to maximize safety and to prevent damage to the docking station and laptop.
- Do not store, place, or drag any object on top of the docking station.
- Visually inspect the docking station and laptop for any defect before using the dock or docking the laptop. Do not use if damaged.
- Any modifications made to the docking station could result in adverse performance and damage to the laptop and/or docking station and will void the warranty.
- Do not attempt to dock a computer or dock with wet contacts

## SERVICING [ENTRETIEN]:

- If this product does not work as intended, please contact PMT for troubleshooting or to schedule a service. *[Si le dock ne fonctionne pas comme prévu, contactez PMT pour le dépannage ou pour planifier un service.]*
- Service should be only done by authorized service center personnel. Unauthorized servicing of the unit will void its warranty. *[L'entretien du dock ne doit être effectué que par le personnel du centre de service autorisé. Un entretien non autorisé du dock annulera sa garantie.]*

# GENERAL INSTRUCTIONS

## Power:

- The power input should be **19 VDC, 65W**. Use a recommended power adapter for the dock and as Lind solution; PMT Item # PS028

## Environmental:

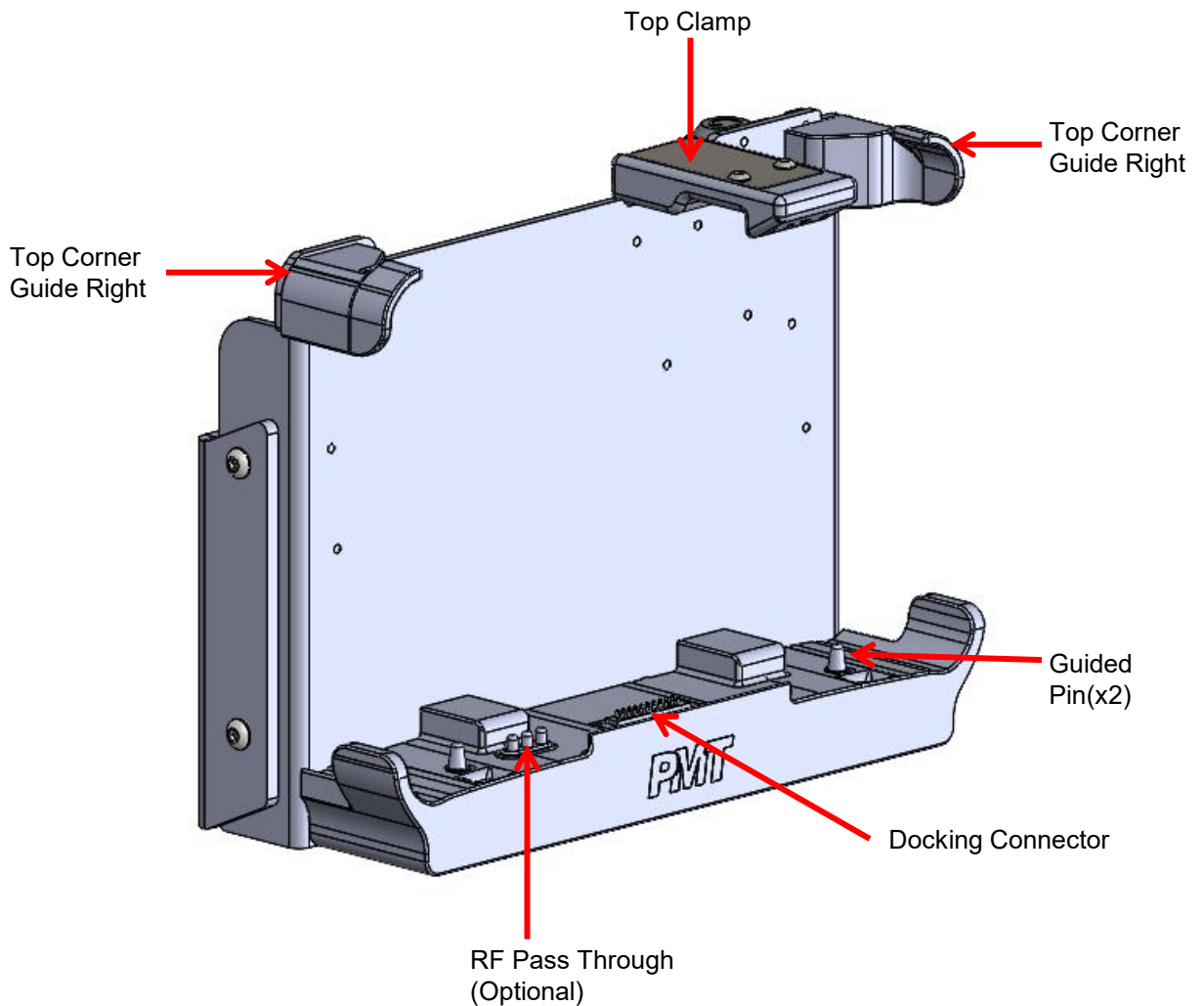
- Storage: -40°C to 85°C (-50.8°F to 185°F)
- Operating: -20°C to 63°C (-22°F to 145.4°F)

## Accessories:

- This dock will accommodate tablet additional accessory attachments such as barcode reader, smart card reader, RFID(NFC) reader, high-capacity battery, etc.

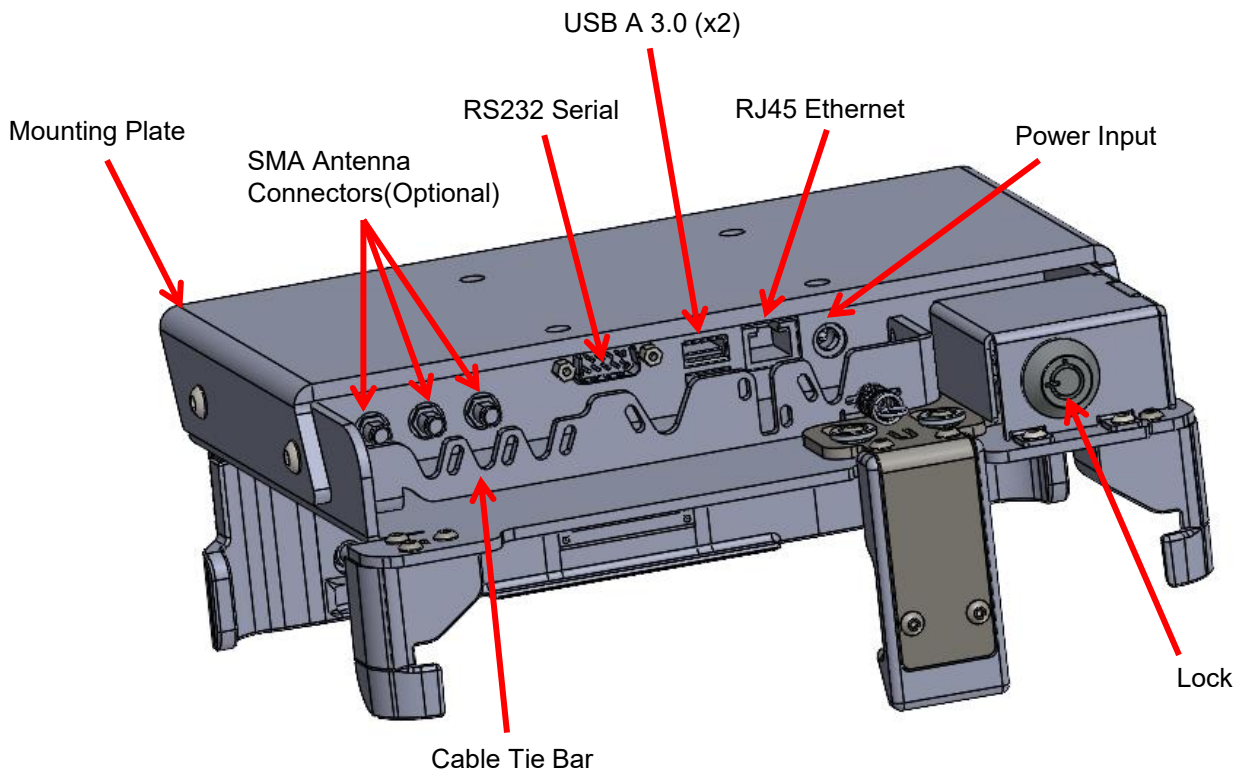
# DESCRIPTION OF PARTS

**Note:** All pictures used in this guide are of triple pass thru (TPT) vehicle dock (Part no: AS7.D008.102-D). However, processes and information relate to other variants of the same dock mentioned in previous pages



# DESCRIPTION OF PARTS

Forward facing port version shown (mounting plate removed for clarity)



\*RF Antenna connections are optional based on docking station model. Connectors are TNC

# INSTALLATION INSTRUCTIONS

## Docking the tablet

### Step 1

Ensure lock is in the unlocked position



### Step 2

Place tablet bottom edge first against the bottom docking block. Ensure the tablet is centered in the dock.



### Step 3

push back the tablet towards the dock. Ensure the top clamp fully drops down over the front face of the tablet after the tablet has been completely pushed back. If excessive force is required, stop and check alignment and ensure dock is unlocked



### Step 4

For additional security and theft deterrence, insert key and rotate lock to the locked position.



# INSTALLATION INSTRUCTIONS

## Un-docking the tablet

### Step 1

If previously locked, insert key and rotate lock to the unlocked position.



### Step 2

- Using your thumb, push Top Clamp up.
- Then pull the top of the tablet away from the dock.



### Step 3

Once clear of the Top Clamp, lift the tablet out and away from the dock.



# INSTALLATION INSTRUCTIONS

## Step 1

Using a 1/8" Allen/Hex key (wrench), remove the mounting plate from the dock.



## Step 2

Install the mounting plate onto mounting infrastructure via the VESA 75 interface and the provided hardware. Be sure to orientate the plate in the correct position. Add the washer and tighten the bolts with the nuts.



## Step 3

Connect all required wiring to the dock while utilizing plastic tie straps and the cable tie bar to secure cables/connections. Each cable connecting to the docking station should be secured via a tie strap before exiting the docking station.



## Step 4

Attach the dock to the mounting plate using the 4x 10-32 UNF button head screws provided.



Regulatory model#: AS7.D008.102

Certifications and test standards:

EN ISO / IEC 17050-1:2004

ICES-003(A) / CISPR 32 / EN 50498

MIL-STD-810H: CHG1

RoHS (2011/65/EU)

REACH

UKCA

Made in Canada

