



DOCKING STATION FOR DELL RUGGED 12" TABLETS

USER GUIDE

Description	Part Number
DOCKING STATION FOR DELL RUGGED 12" TABLET NPT LITE	AS7.D921.100
DOCKING STATION FOR DELL RUGGED 12" TABLET QPT LITE	AS7.D921.102
CRADLE FOR DELL RUGGED 12" TABLET NPT	AS7.D921.104
CRADLE FOR DELL RUGGED 12" TABLET QPT	AS7.D921.105
DOCKING STATION FOR DELL RUGGED 12" TABLET NPT FULL	AS7.D921.110
DOCKING STATION FOR DELL RUGGED 12" TABLET QPT FULL	AS7.D921.112

NOTE: Bundles with power adapters are available and are indicated with –PS suffix added to the part number.

Product Mounting Disclaimer

Precision Mounting Technologies Ltd (PMT) are not liable under any theory of contract or tort law for any loss, damage, personal injury, special, incidental or consequential damages for personal injury or other damage of any nature arising directly or indirectly as a result of the improper installation or use of its products in vehicle or any other application. In order to safely install and use PMT products full consideration of vehicle occupants, vehicle systems (i.e., the location of fuel lines, brake lines, electrical, drive train or other systems), air-bags and other safety equipment is required. PMT specifically disclaims any responsibility for the improper use or installation of its products not consistent with original vehicle manufactures' specifications and recommendations, PMT product instruction sheets, or workmanship standards as endorsed through PMT policies and EULA.



GENERAL INSTRUCTIONS

Safety:

- Safety is dependent on the proper installation and servicing of this docking station. It is important to read and follow all instructions before installing this product.
- Proper installation requires a good understanding of automotive electrical systems and is recommended to be performed by qualified technicians only.
- There are no adjustments or user serviceable parts within the docking station. Opening the docking station will void the product warranty
- Do not install equipment or route wires in the deployment path of any air bag, or where it may interfere with critical safety or operating controls of any vehicle.

Wiring:

- PMT does not recommend relying on a cigarette socket adaptor for powering vehicle docks. We recommend hard wiring the power adapter using a good clean ground direct from the vehicle battery neg(-) post, and pos(+) supply from a fused 12vdc location also directly from the vehicle battery. All peripherals connecting to the docking station requiring external power should get power and ground from the same location as the dock.
- Visit www.precisionmounts.com/support/installation-user-guides.html for a copy of our general wiring and troubleshooting guide.

Proper Use and Care:

- Proper care and use of this product is critical to maximize safety and to prevent damage to the docking station and tablet.
- Do not store, place, or drag any object on top of the docking station.
- Visually inspect the docking station and tablet for any defect before using the dock or docking the laptop. Do not use if damaged.
- Do not attempt to dock a computer or dock with wet contacts

SERVICING [ENTRETIEN]:

- If this product does not work as intended, please contact PMT for troubleshooting or to schedule a service. *[Si le dock ne fonctionne pas comme prévu, contactez PMT pour le dépannage ou pour planifier un service.]*
- Service should be only done by authorized service center personnel. Unauthorized servicing of the unit will void its warranty. *[L'entretien du dock ne doit être effectué que par le personnel du centre de service autorisé. Un entretien non autorisé du dock annulera sa garantie.]*

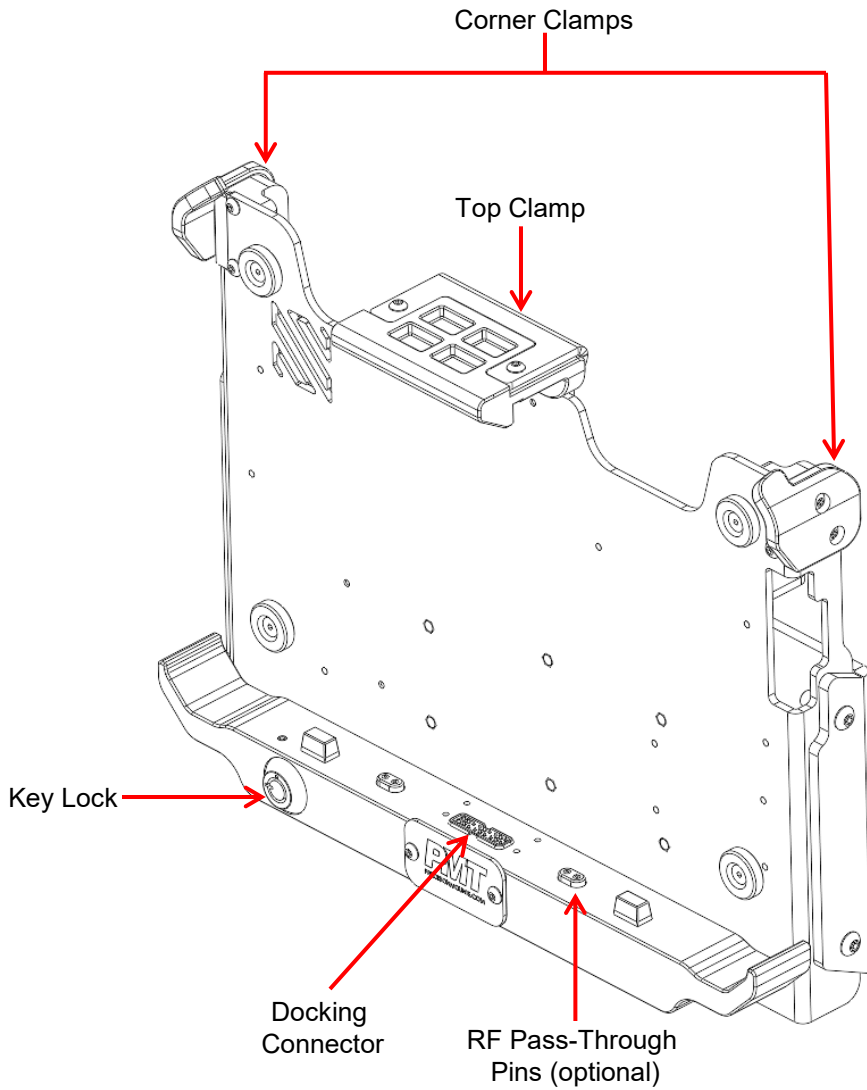
Power:

- The power input should be 19Vdc / 4.5 A. Use a Dell recommended power supply for the dock. PMT recommends using a Lind Auto Adapter, PMT part#: PS005 for the Docking Station, or PS040 for the Cradle.

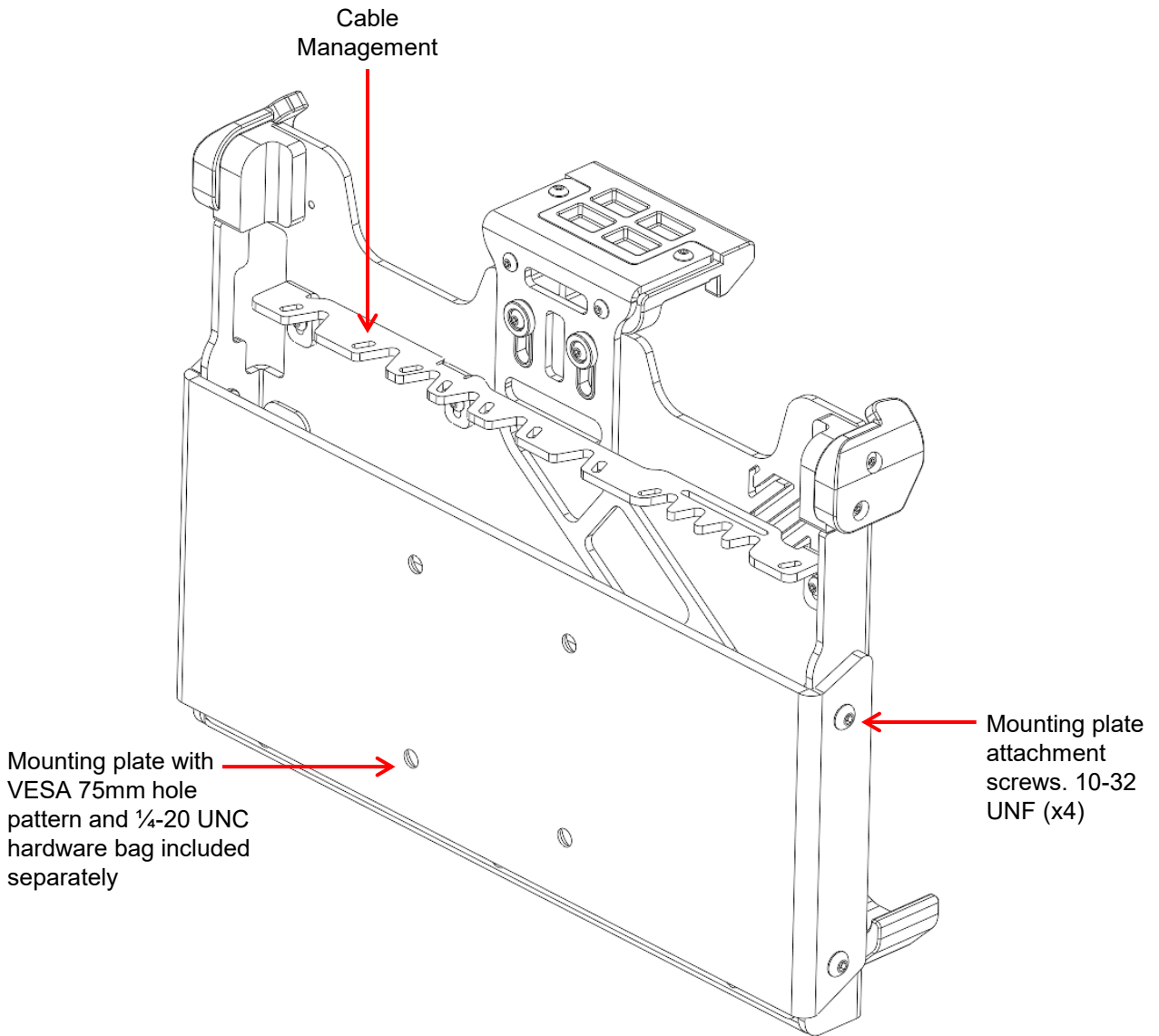
Environmental:

- Storage: Tested to -40°C to 71°C (-40°F to 160°F)
- Operating: Tested to -20°C to 60°C (-4°F to 140°F)

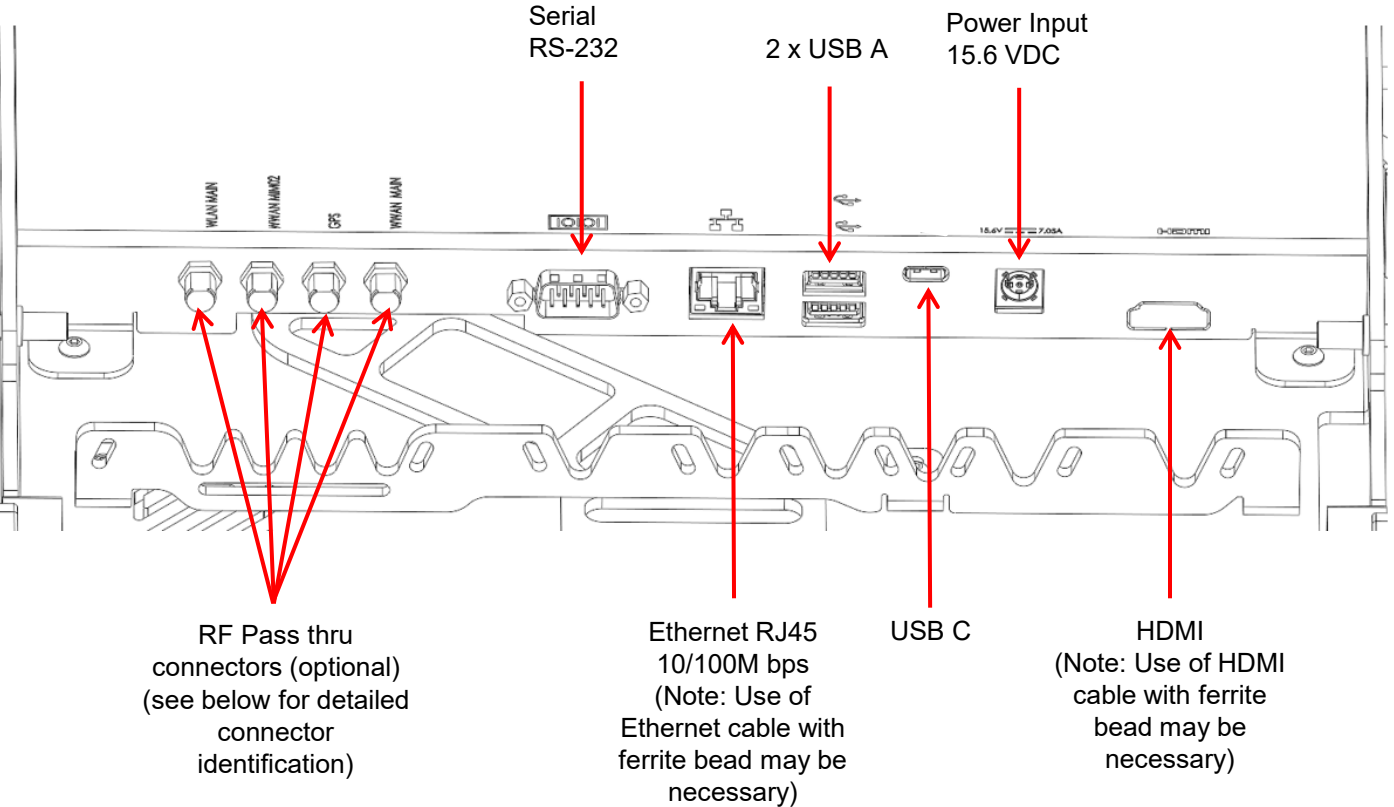
DESCRIPTION OF PARTS



DESCRIPTION OF PARTS

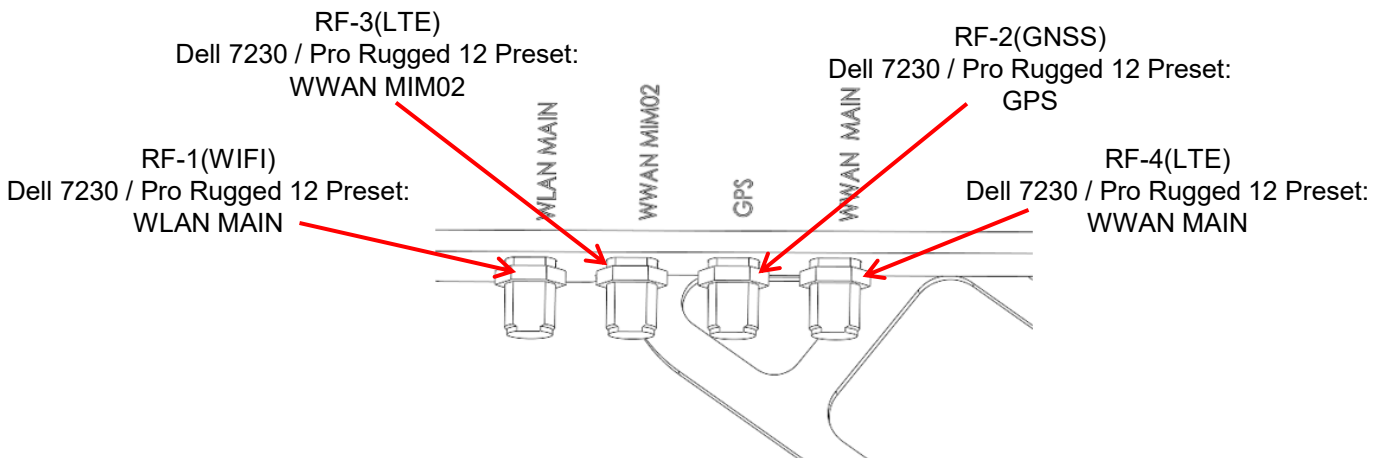


PORT IDENTIFICATION



RF PASS THRU CONNECTOR IDENTIFICATION

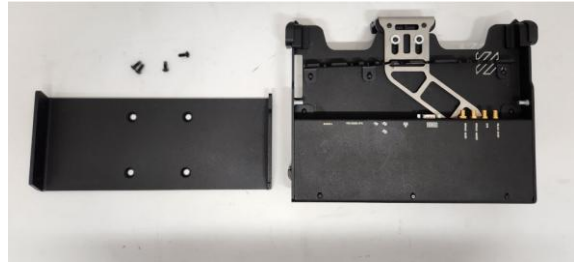
Note: RFs are NOT configurable



INSTALLATION INSTRUCTIONS

Step 1

Remove mounting plate from dock.



Step 2

Install mounting plate onto mounting location via the VESA 75 interface and the provided hardware.



Step 3

Connect all required wiring to the dock while utilizing plastic tie straps and the cable tie rail to secure cables/connections.



Step 4

Attach dock to mounting plate using the 4 x 10-32 UNF button head screws provided

TIP: Visit our website and review our “General wiring and troubleshooting guide” for further information.



INSTALLATION INSTRUCTIONS

Docking the tablet

Step 1

Ensure lock is in the unlocked position



Step 2

Place tablet bottom edge first against the docking connector



Step 3

Completely lift the top clamp with one hand and push back the tablet towards the dock with the other hand. Ensure the top clamp fully drops down over the front face of the tablet after the tablet has been completely pushed back. If excessive force is required, stop and check alignment and ensure dock is unlocked

NOTE: Using one hand operation to directly push the tablet against the top clamp for docking may cause excessive wear on top shell of the tablet



Step 4

For additional security and theft deterrence, insert key and rotate lock to the locked position as shown



INSTALLATION INSTRUCTIONS

Un-docking the tablet

Step 1

If previously locked, insert key and rotate lock to the unlocked position.



Step 2

Using one hand to lift the top clamp up and the other hand pull the top of the tablet away from the dock.

NOTE: Using thumb to push the top clamp up and undock the tablet with one hand operation, may cause excessive wear on top shell of the tablet.



Step 3

Once clear of the Top Clamp, lift the tablet out and away from the dock.



INSTALLATION INSTRUCTIONS

FOR AS7.D921.110 & AS7.D921.112 ONLY

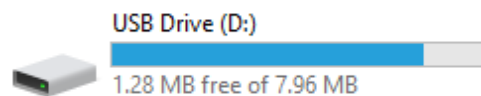
HDMI Driver

Step 1

Make sure DC power is being supplied to the docking station and then dock the tablet.

Step 2

Open the tablet's file explorer system, in "This PC", open the icon labelled "USB Drive" (this represents the HDMI connector port). It should show in there with approximately less than 10MB space.



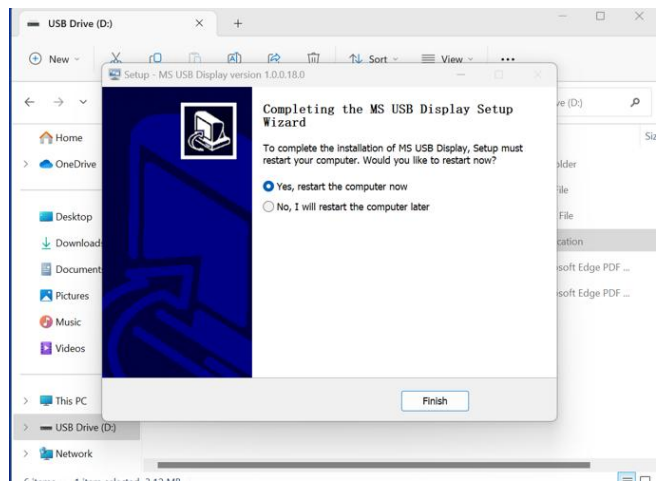
Step 3

Open the application file "MSDisplay_MultiDev" to begin installation of the HDMI connector port driver.

File Name	Date Modified	Type	Size
LOST.DIR	12/13/2021 5:51 PM	File folder	
MSDisplay_Android_v2.0.0.3.apk	1/13/2022 8:22 AM	APK File	2,248 KB
MSDisplay_MacOS_v1.0.2b_20201125A	1/13/2022 8:22 AM	dmg Archive	1,175 KB
MSDisplay_MultiDev_v1.0.0.18.0	1/13/2022 8:22 AM	Application	3,200 KB
readme	1/13/2022 8:22 AM	Adobe Acrobat D...	79 KB
说明	1/13/2022 8:22 AM	Adobe Acrobat D...	130 KB

Step 4

After finishing the installation process, please restart the tablet. The HDMI connector port will now be functional on the docking station.



Regulatory model: AS7.D921.102

Certifications and test standards:

EN ISO / IEC 17050-1:2004

ICES-003(A) / CISPR 32 / EN 50498

MIL-STD-810H:CHG1

RoHS(2011/65/EU)

Australian Regulatory Compliance Mark

Made in Canada

This device complies with Part 15 of the FCC Rules. Operation is subject to the following two conditions. (1) this device may not cause harmful interference, and (2) this device must accept any interference received, including interference that may cause undesired operation.

