



## DOCKING STATION FOR PANASONIC TOUGHBOOK® 33 SLIM TABLET USER GUIDE

Description	Part Number
DOCKING STATION FOR PANASONIC TOUGHBOOK® 33 SLIM TABLET LITE NPT	AS7.P033.100
DOCKING STATION FOR PANASONIC TOUGHBOOK® 33 SLIM TABLET LITE DPT	AS7.P033.102
DOCKING STATION FOR PANASONIC TOUGHBOOK® 33 SLIM TABLET FULL NPT	AS7.P033.110
DOCKING STATION FOR PANASONIC TOUGHBOOK® 33 SLIM TABLET FULL DPT	AS7.P033.112
CRADLE FOR PANASONIC TOUGHBOOK® 33 SLIM TABLET	AS7.P033.104



# GENERAL INSTRUCTIONS

## Safety:

- Safety is dependent on the proper installation and servicing of this product. It is important to read and follow all instructions before installing this product.
- Proper installation requires a good understanding of automotive electrical systems and is recommended to be performed by qualified technicians only.
- There are no adjustments or user serviceable parts within this product. Opening the case will void the product warranty
- Do not install equipment or route wires in the deployment path of any air bag, or where it may interfere with critical safety or operating controls of any vehicle.

## Wiring:

- PMT does not recommend relying on a cigarette socket adaptor for powering vehicle docks. We recommend hard wiring using a good clean ground direct from the vehicle battery (-) post, and (+) supply from a fused 12v location also directly from the vehicle battery. All Peripherals connecting to the docking station should get power and ground from the same location as the dock.
- Visit <https://www.precisionmounts.com/product-information> for a copy of our general wiring and troubleshooting guide.

## Proper Use and Care:

- Proper care and use of this product is critical to maximize safety and to prevent damage to the docking station and tablet.
- Do not store, place, or drag any object on top of the docking station.
- Visually inspect the docking station and tablet for any defect before using the dock or docking the laptop. Do not use if damaged.
- Do not attempt to dock a computer or dock with wet contacts

## SERVICING [ENTRETIEN]:

- If this product does not work as intended, please contact PMT for troubleshooting or to schedule a service. *[Si le dock ne fonctionne pas comme prévu, contactez PMT pour le dépannage ou pour planifier un service.]*
- Service should be only done by authorized service center personnel. Unauthorized servicing of the unit will void its warranty. *[L'entretien du dock ne doit être effectué que par le personnel du centre de service autorisé. Un entretien non autorisé du dock annulera sa garantie.]*

### Product Mounting Disclaimer

Precision Mounting Technologies Ltd (PMT) are not liable under any theory of contract or tort law for any loss, damage, personal injury, special, incidental or consequential damages for personal injury or other damage of any nature arising directly or indirectly as a result of the improper installation or use of its products in vehicle or any other application. In order to safely install and use PMT products full consideration of vehicle occupants, vehicle systems (i.e., the location of fuel lines, brake lines, electrical, drive train or other systems), air-bags and other safety equipment is required. PMT specifically disclaims any responsibility for the improper use or installation of its products not consistent with original vehicle manufactures' specifications and recommendations, PMT product instruction sheets, or workmanship standards as endorsed through PMT policies and EULA.



# GENERAL INSTRUCTIONS

## Power:

- The power input should be 15.6Vdc / 7.05 A.
- The dock is meant to operate on 14.5 Vdc to 16 Vdc.
- Panasonic recommends using a Lind Auto Adapter (PMT part no: PS001) for this dock.
- Power must only be supplied to either the dock or the laptop. Never at the same time.

## Environmental:

- Storage: -40°C to 85°C (-40°F to 185°F)
- Operating: -10°C to 63°C (14°F to 145.4°F)

## Accessories:

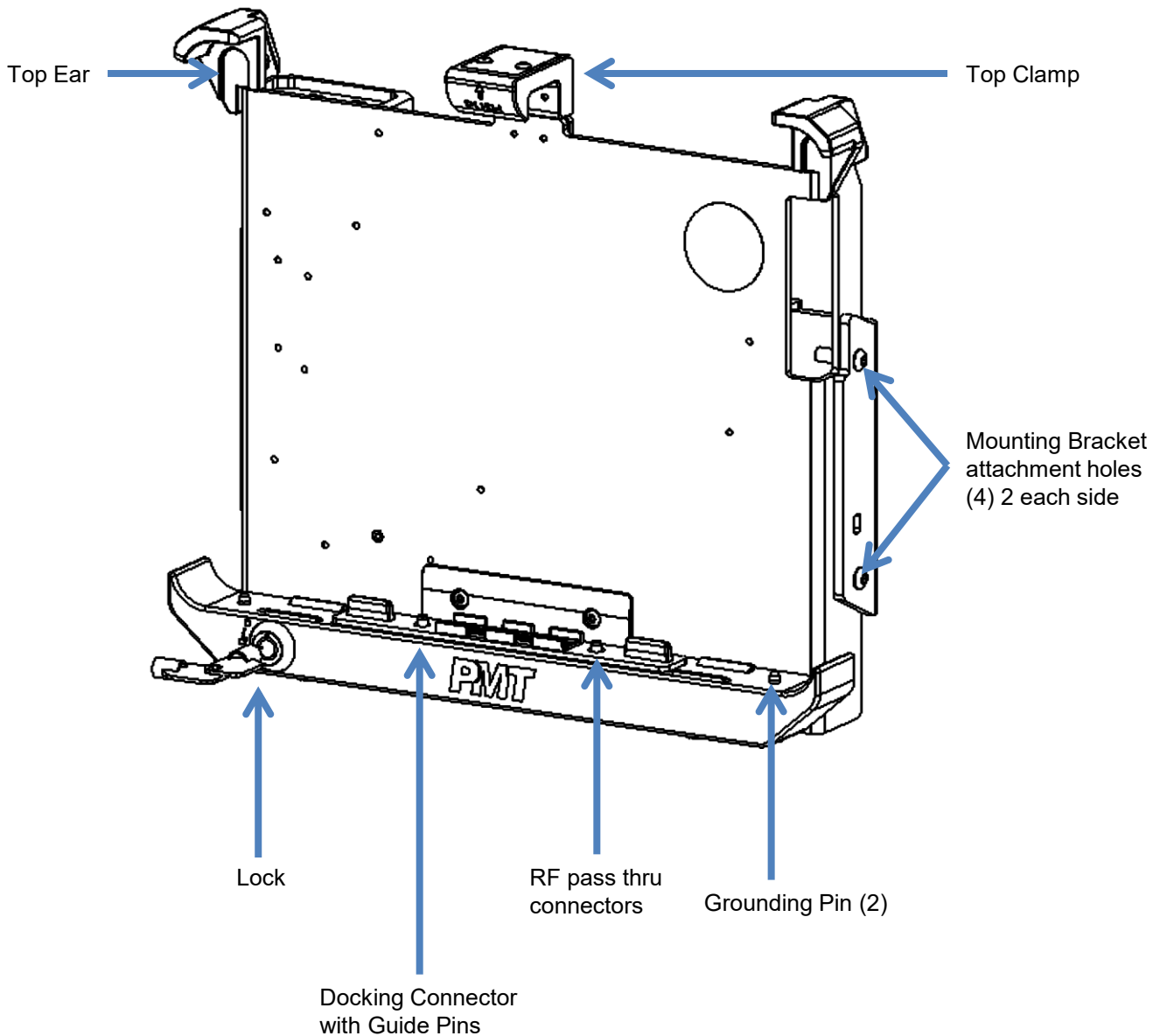
- The dock cannot accommodate tablet with additional accessories such as extended battery and hand strap.
- When the tablet is docked in the docking station, the user has access to front camera, smart card reader, barcode reader and optional serial port. However, there will be no access to rear camera and fingerprint reader.

## External Antenna:

- For DPT (Dual Pass Thru) models, there is an option to turn off the external antenna. This switch is located on right hand side of the dock. Use a long pin or tool to toggle the switch gently. Turning off the external antenna will let the computer use in-built antenna. By default, the dock comes with the switch in ON position

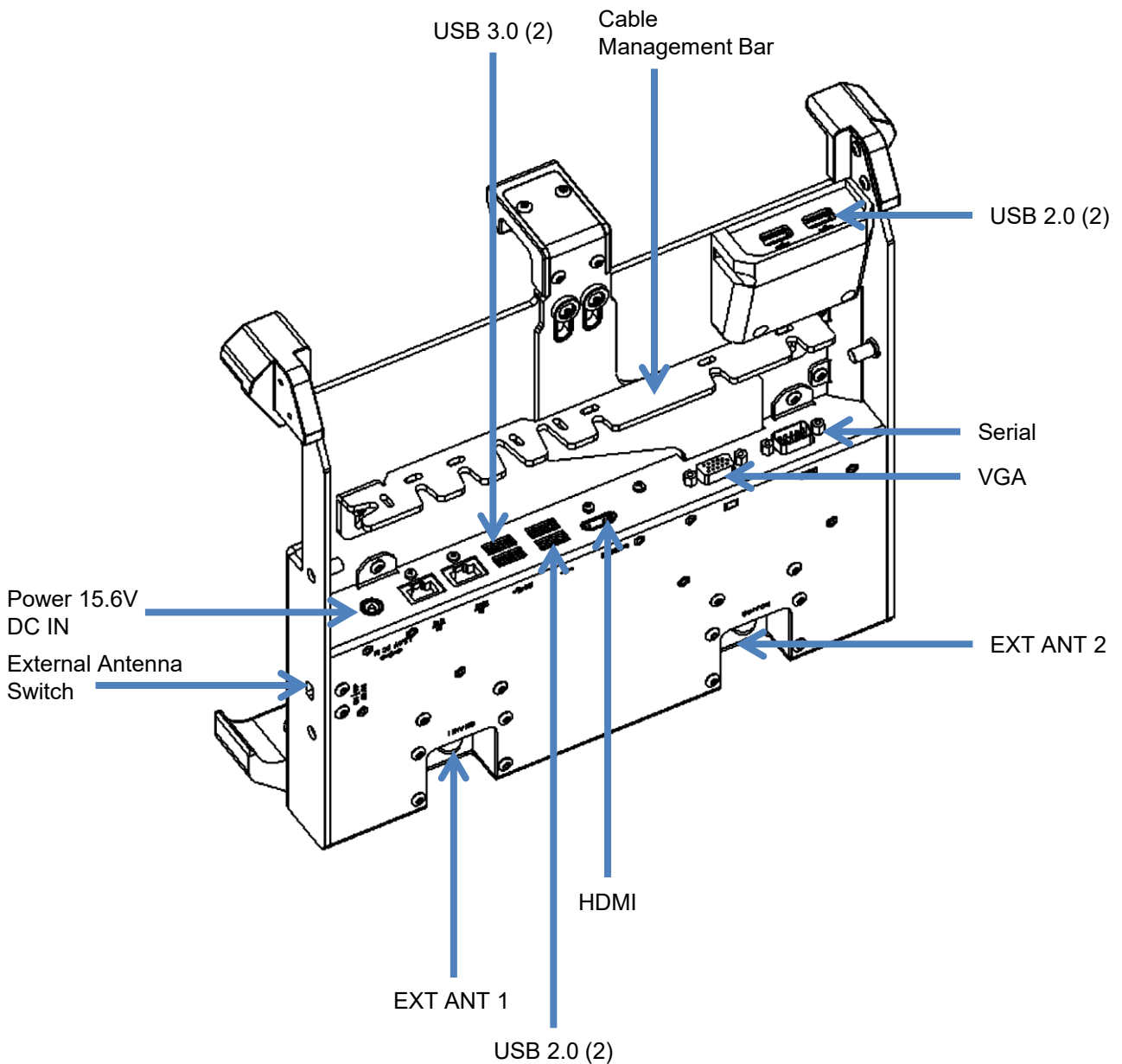
# DESCRIPTION OF PARTS

## Front View



# DESCRIPTION OF PARTS

## Rear View



# INSTALLATION INSTRUCTIONS

## Docking the Laptop

### Step 1

Ensure that the dock is unlocked. If locked, insert key and rotate lock 90 degrees counter-clockwise.

### Step 2

Lead the bottom of the tablet into the dock using the guide pins for positioning.

### Step 3

Push the top of the tablet back into the dock. This will force the top clamp up and spring into place when tablet is fully seated [see picture below].

### Step 4

[Additional security] Rotate key 90 degrees clockwise and remove the key to lock the tablet in the docking station. The tablet is only fully secure once the key is removed.



# INSTALLATION INSTRUCTIONS

## Undocking the Laptop

### Step 1

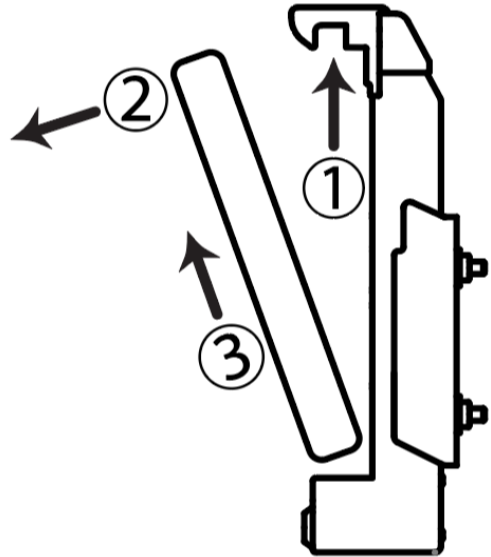
Ensure that the dock is unlocked. If locked, insert key and rotate lock 90 degrees counter-clockwise. Use your thumb to move the top clamp up and away from the tablet. The clamp should clear the top of edge of the tablet.

### Step 2

Once the top clamp has been lifted, gently pull the tablet out of the dock.

### Step 3

Gently lift the tablet out of the docking station. The top clamp will spring closed again. [See picture below] Do not pull the tablet all the way out – this could damage the dock and tablet.



# INSTALLATION INSTRUCTIONS

## Cable Management and Mounting

Connect all cables securely to dock ports, and use tie straps to secure cables to the “Cable Management Bar” as shown. The cable tie bar has slots, so if needed, the location can be adjusted.



Once you have attached all cables needed to the vehicle dock, attach the mounting bracket to the dock using the 4 supplied #10-32 UNC screws (2 on each side).

The standard mounting bracket that comes with the PMT CF33 tablet Trimline vehicle dock features an industry standard VESA 75mm x 75mm bolt pattern.

This allows easy mounting to many pre-existing mounts as well as dedicated mounts from PMT. Use the supplied #1/4-20 hardware for mounting.

