

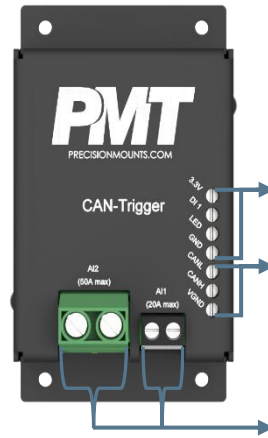


CAN-TRIGGER

Patent Pending

UNIVERSAL VEHICLE TELEMATICS SOLUTION

An innovative hardware solution for the emergency and fleet vehicle industry, allowing remote, real-time access to on board sensors and vehicle data such as, but not limited to, emergency light status, siren activation. accessory equipment such as gun lock monitoring, as well as CAN bus data such as: VIN, vehicle speed, ambient temperature, mileage, fuel level, and more. Data is then pushed to host PC and, using 3rd party software, made available for data logging and up to the cloud for remote monitoring and integration.



DIGITAL INPUT
Example: Emergency Button(s)



VEHICLE CAN BUS



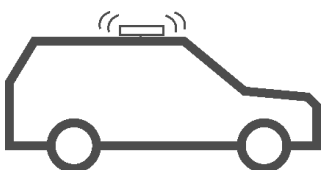
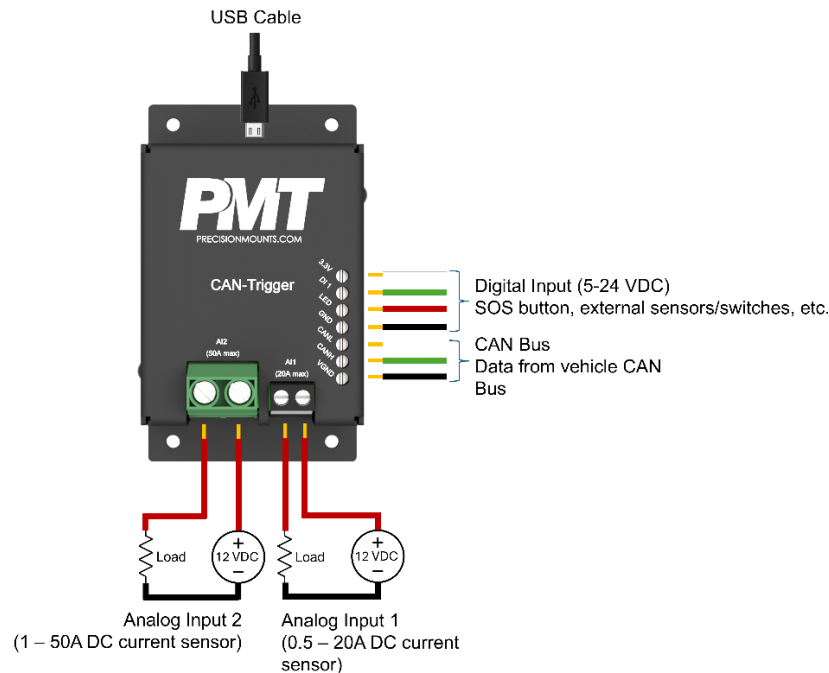
ANALOG INPUTS

Examples: Emergency Light Trigger and/or Gun Lock Sensor

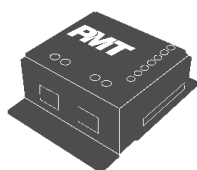


FEATURES

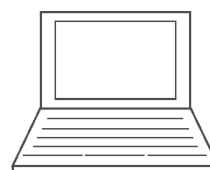
- Lightweight aluminum housing for a low profile, unobtrusive solution allow installation into small spaces
- OBD2 and general CAN bus communication allowing access to vehicle status information
- Emergency light and other 3rd party equipment status monitoring capabilities
- Universal design offers compatibility with most vehicle, computer and equipment OEMs for wide range of deployment possibilities on mixed fleets
- Utilizes network connection available via a docked computer for data to be fed up to the cloud allowing the option for real-time remote monitoring
- Requires 3rd party software application for deployment integration
- Digital input can be used to monitor on/off status of a 3rd party switch or sensor
- One Year Limited Warranty



VEHICLE



PMT CAN-TRIGGER



DOCKED PC



CLOUD



FEATURES, PURPOSES AND TECHNICAL SPECIFICATIONS

CONNECTION	FEATURE	PURPOSE
CAN BUS INPUT	<ul style="list-style-type: none"> Used to connect with vehicle CAN bus to monitor vehicle systems: Speed, VIN, mileage, fuel, gear selector, trouble codes, battery voltage, EV SoC, etc. Potential to monitor door status, airbag status, battery charge level, engine conditions, driver habits, etc. Hard wire or via vehicle specific adapter cables that connect via vehicle OBD2 port 	<ul style="list-style-type: none"> Send signal via host computer in vehicle to dispatch/cloud for central notification and monitoring Improve Fleet management by reducing the need to have vehicle on-site Data logging with time stamp
DIGITAL INPUT (X1)	<ul style="list-style-type: none"> Example: Emergency Button(s) Latching, lighted Remote mountable including discrete/hidden location or built into PMT consoles Can be an optional feature/accessory 5-24 VDC 	<ul style="list-style-type: none"> Send signal to dispatch/cloud for notification and monitoring Data logging with time stamp Use as a HELP or emergency distress signal
ANALOG INPUT (X2)	<ul style="list-style-type: none"> Examples: Emergency Light and Gun Lock Status Sensing Used to detect when aftermarket emergency light is on Uses current sense module to detect current Screw terminals for attaching max 6ga wire going to emergency light Universal, not manufacturer dependent Input 1 (AI 1) 0.5A – 20A, 24 VDC Max. Input 2 (AI 2) 1A – 50A, 24 VDC Max. 	<ul style="list-style-type: none"> Send signal to dispatch/cloud for central notification Send signal to cloud for traffic signal interruption Send signal to cloud for nearby driver alert (SMS, Navigation apps, etc) Data logging with time stamp
USB MICRO B	<ul style="list-style-type: none"> Send and receive information between input data and a computer 	<ul style="list-style-type: none"> Communication with a computer docked and mounted in the vehicle

ITEM NO.	DESCRIPTION	WEIGHT	HEIGHT	WIDTH	DEPTH
AS7.U060.001	CAN-TRIGGER WITH USB A TO USB MICRO B CABLE	0.50 lbs	1.50"	2.77"	4.50"

