



## ELECTRONICS STORAGE BOX USER GUIDE

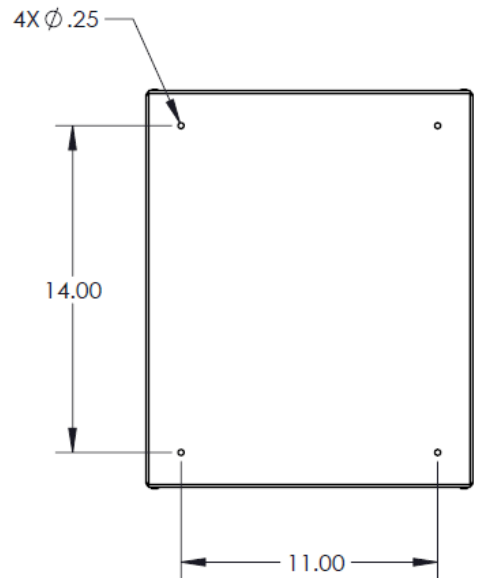
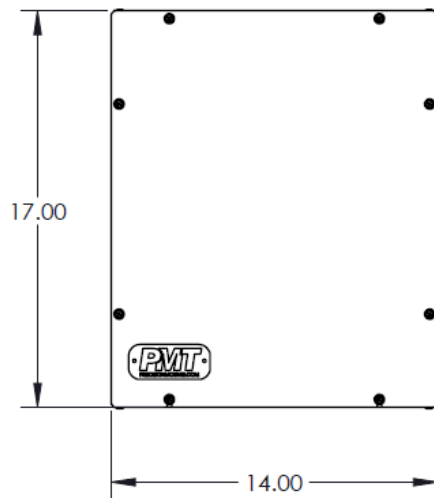
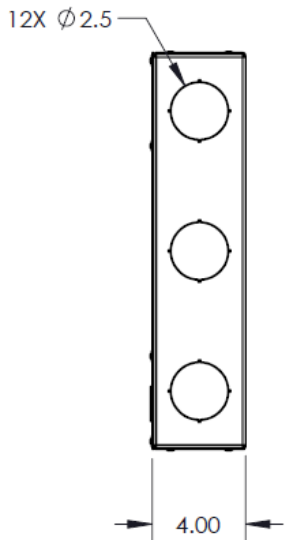
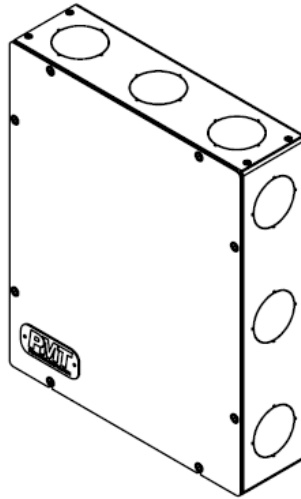
Description	Part Number
ELECTRONICS STORAGE BOX 17" X 14" X 4"	AS4.B102.101

### Product Mounting Disclaimer

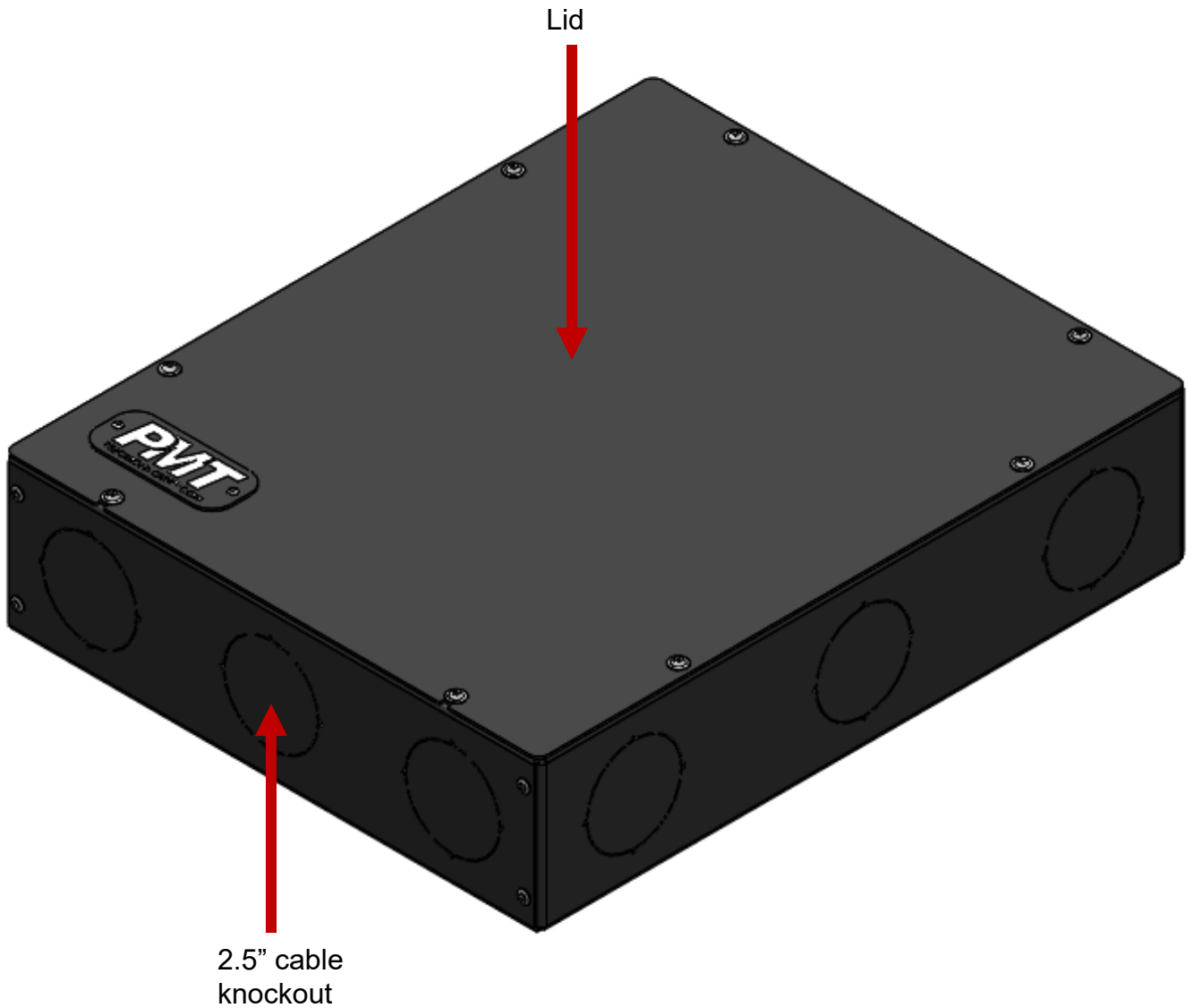
Precision Mounting Technologies Ltd (PMT) are not liable under any theory of contract or tort law for any loss, damage, personal injury, special, incidental or consequential damages for personal injury or other damage of any nature arising directly or indirectly as a result of the improper installation or use of its products in vehicle or any other application. In order to safely install and use PMT products full consideration of vehicle occupants, vehicle systems (i.e., the location of fuel lines, brake lines, electrical, drive train or other systems), air-bags and other safety equipment is required. PMT specifically disclaims any responsibility for the improper use or installation of its products not consistent with original vehicle manufactures' specifications and recommendations, PMT product instruction sheets, or workmanship standards as endorsed through PMT policies and EULA.



# PRODUCT DIMENSIONS



# DESCRIPTION OF THE PARTS



# INSTALLATION INSTRUCTIONS

## Tools and hardware required:

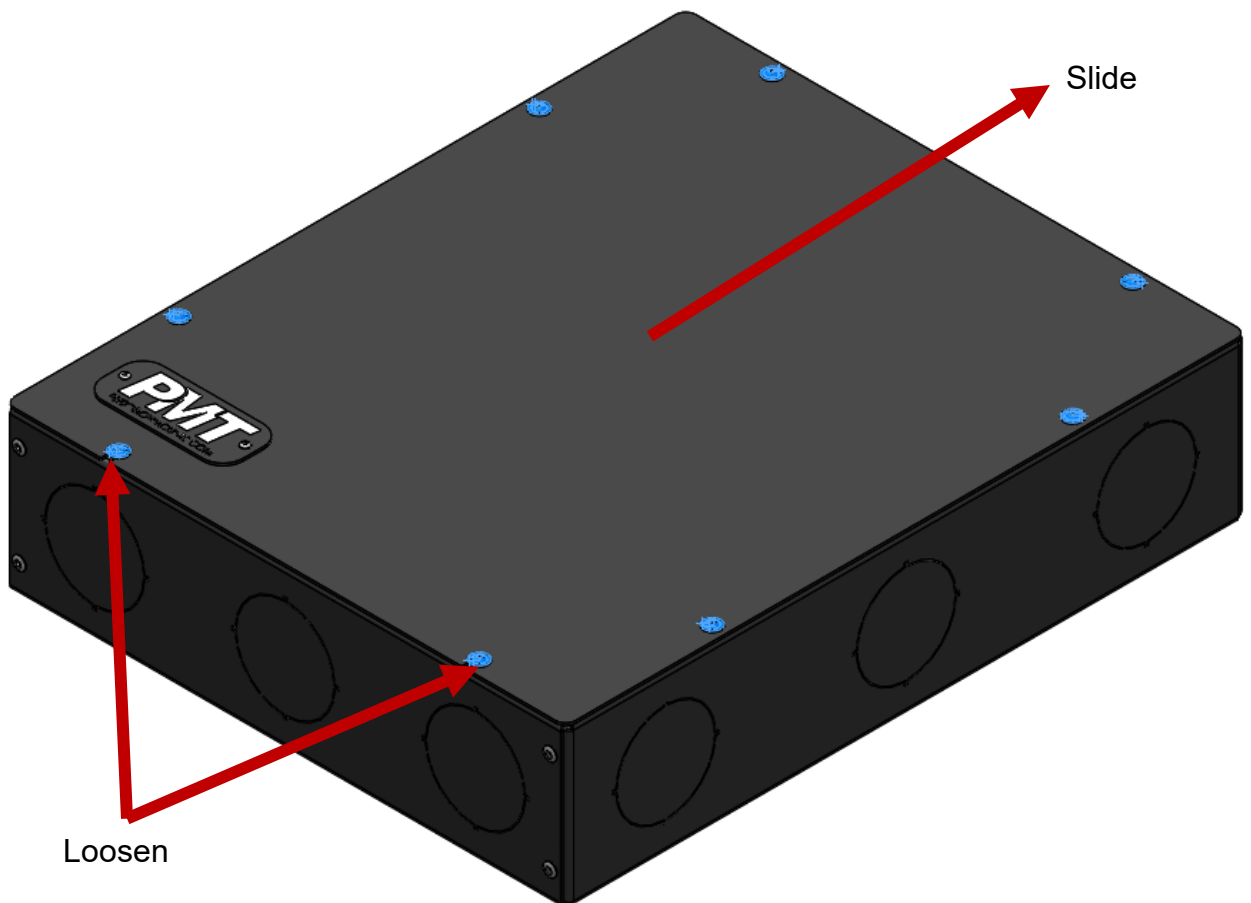
- Philipps screwdriver

## Step 1

Removing the lid: Loosen bottom 2 screws. Remove top 6 screws, slide lid up and remove

Installation is the reverse step of removal

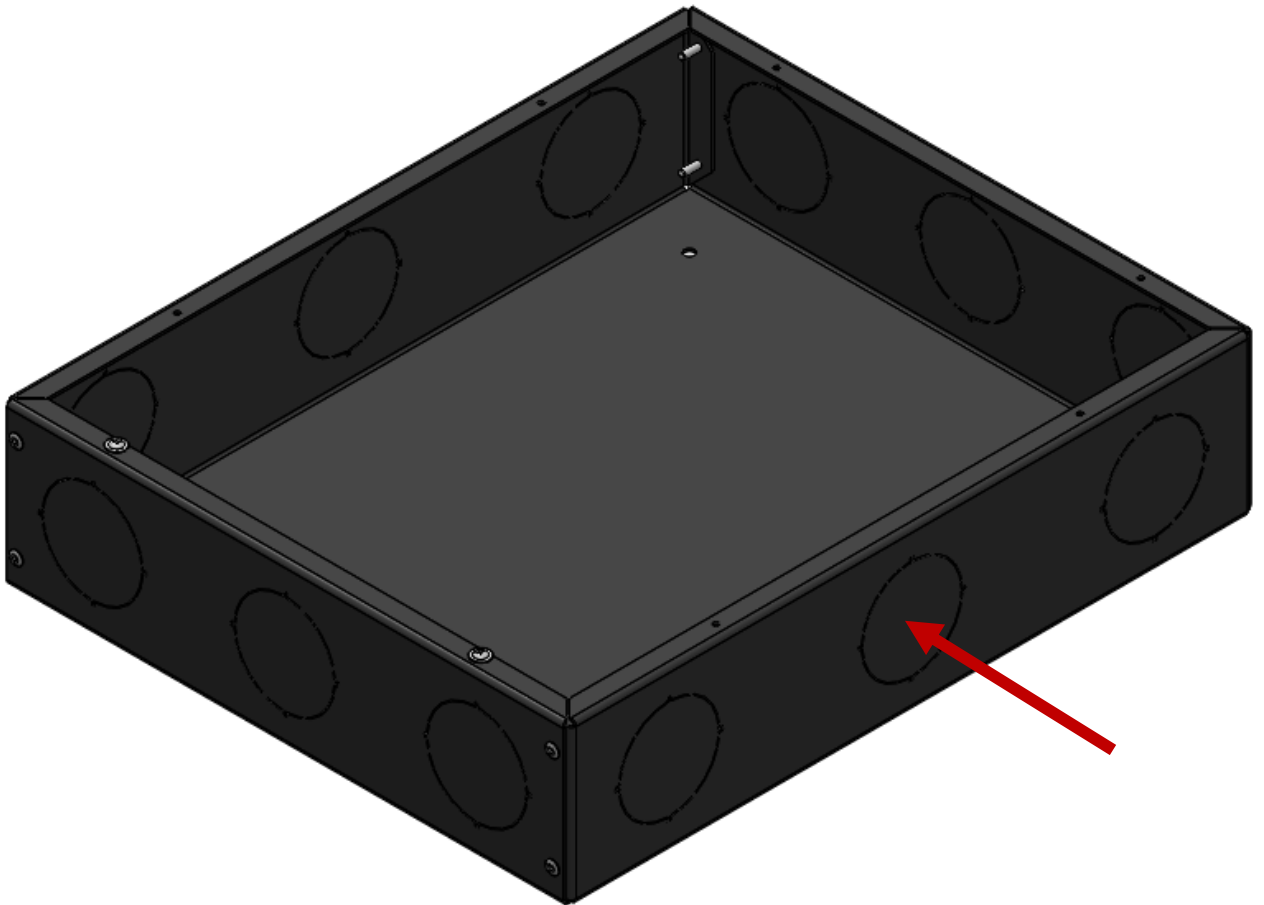
Note: Do no overtighten screws or they will strip



# INSTALLATION INSTRUCTIONS

## Step 2

Remove knock-outs by striking in the center with a hammer. File any sharp edges.



# INSTALLATION INSTRUCTIONS

## Step 3

Use the provided mounting holes to install the box, or drill new holes in desired location

