



DOCK CABINET

USER GUIDE

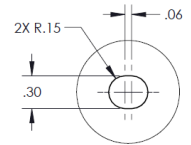
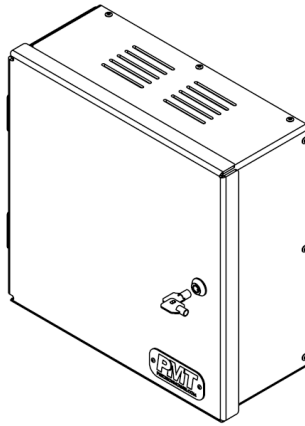
Description	Part Number
DOCK CABINET	AS4.B101.101

Product Mounting Disclaimer

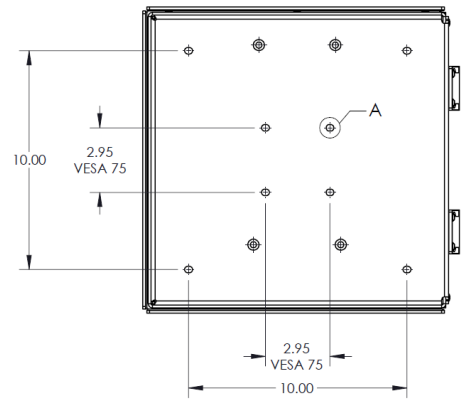
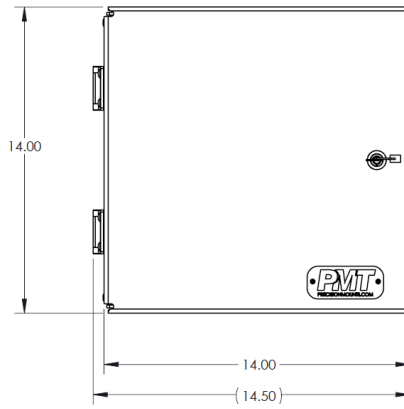
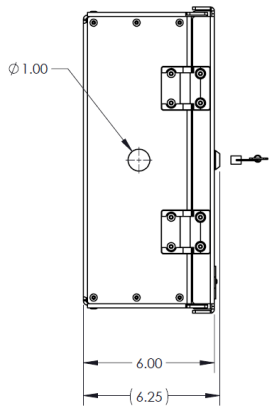
Precision Mounting Technologies Ltd (PMT) are not liable under any theory of contract or tort law for any loss, damage, personal injury, special, incidental or consequential damages for personal injury or other damage of any nature arising directly or indirectly as a result of the improper installation or use of its products in vehicle or any other application. In order to safely install and use PMT products full consideration of vehicle occupants, vehicle systems (i.e., the location of fuel lines, brake lines, electrical, drive train or other systems), air-bags and other safety equipment is required. PMT specifically disclaims any responsibility for the improper use or installation of its products not consistent with original vehicle manufactures' specifications and recommendations, PMT product instruction sheets, or workmanship standards as endorsed through PMT policies and EULA.



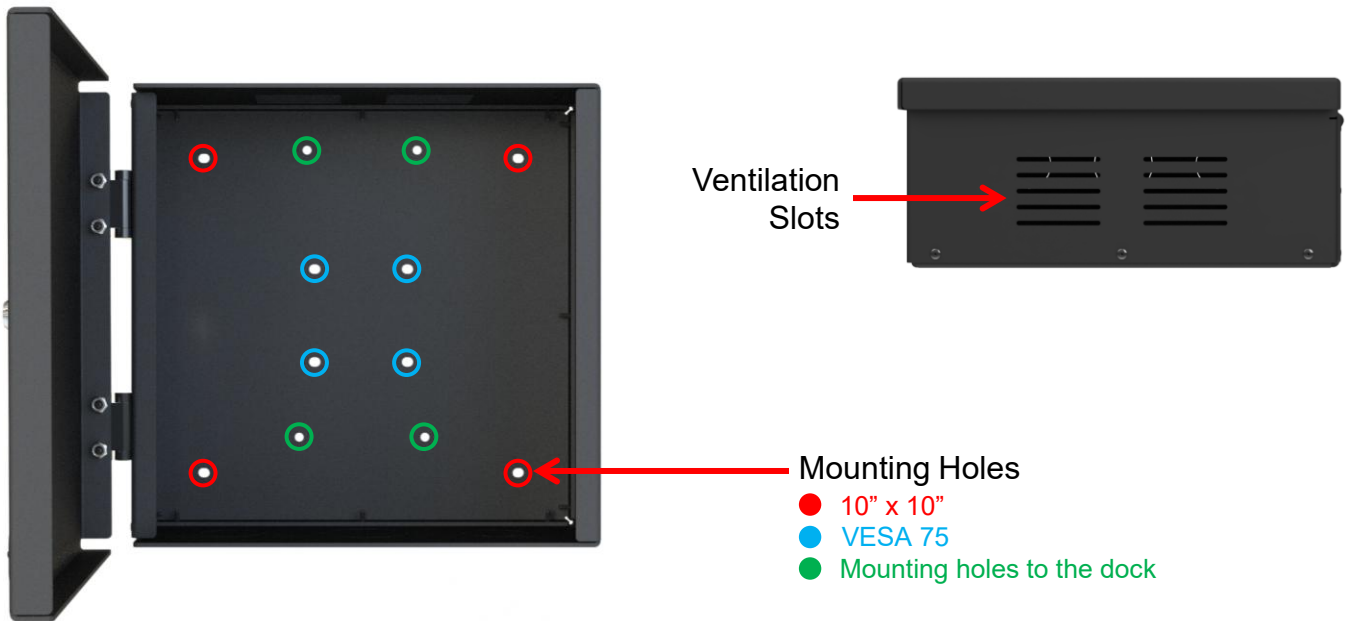
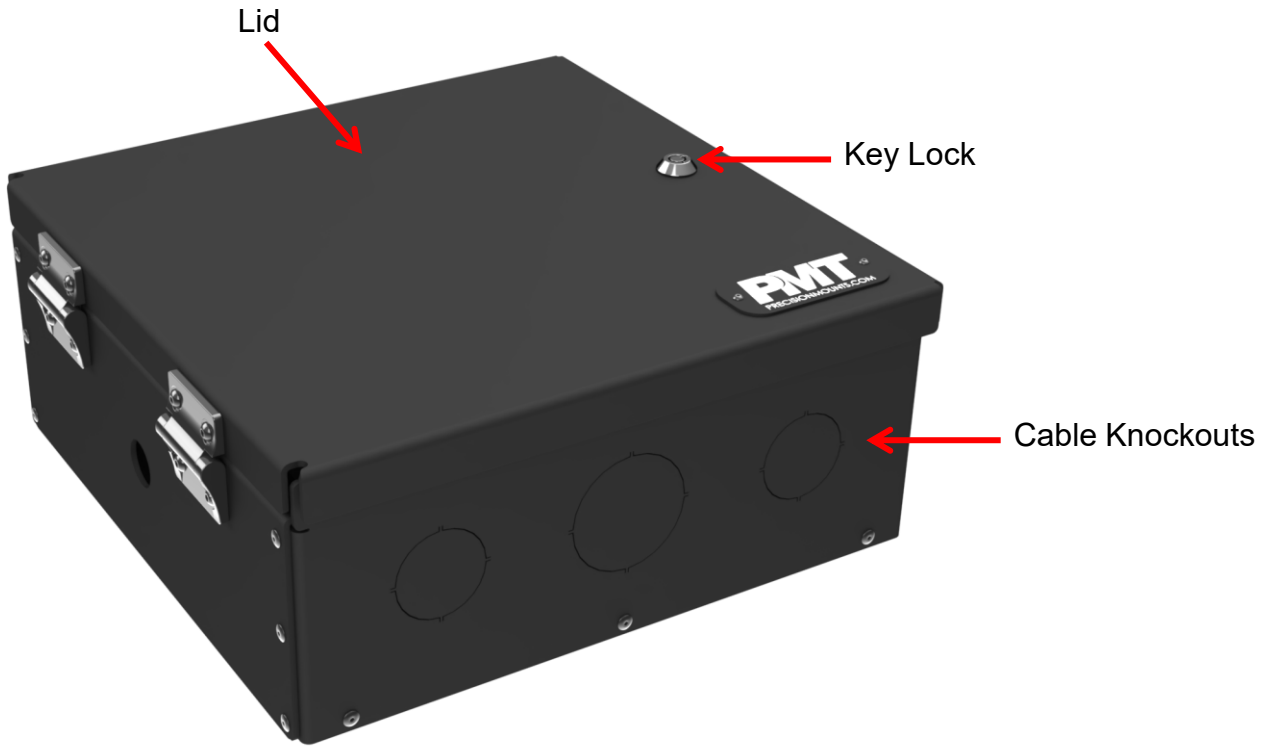
PRODUCT DIMENSIONS



DETAIL A
8 PLACES



DESCRIPTION OF THE PARTS



INSTALLATION INSTRUCTIONS

Step 1

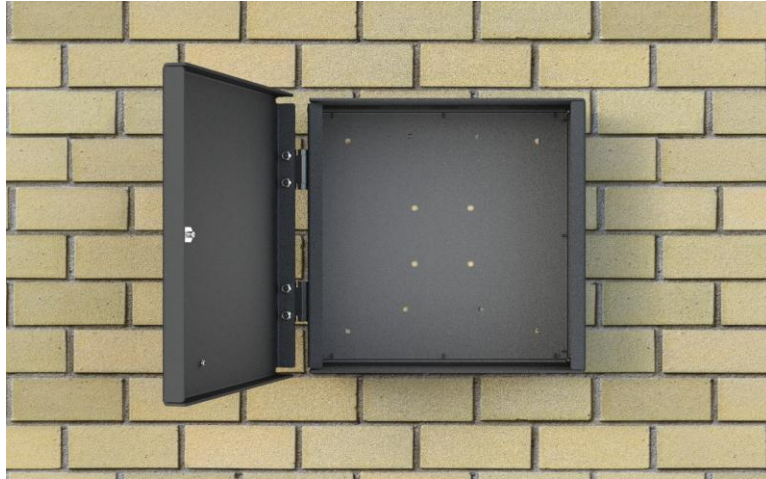
Lift the lid to open the cabinet. If locked, use the provided key and rotate counterclockwise to unlock.



INSTALLATION INSTRUCTIONS

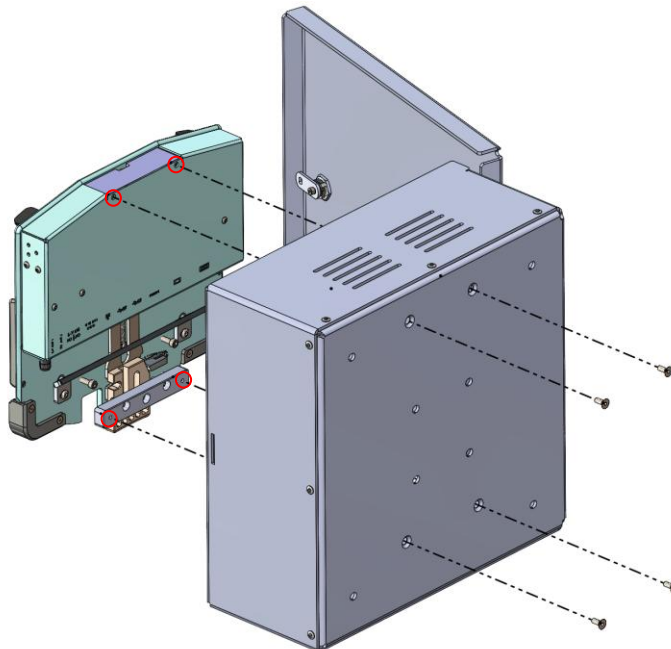
Step 2

Position the cabinet against the wall or mounting surface and mark the mounting hole locations for drilling (10"x10" or VESA 75).



Step 3

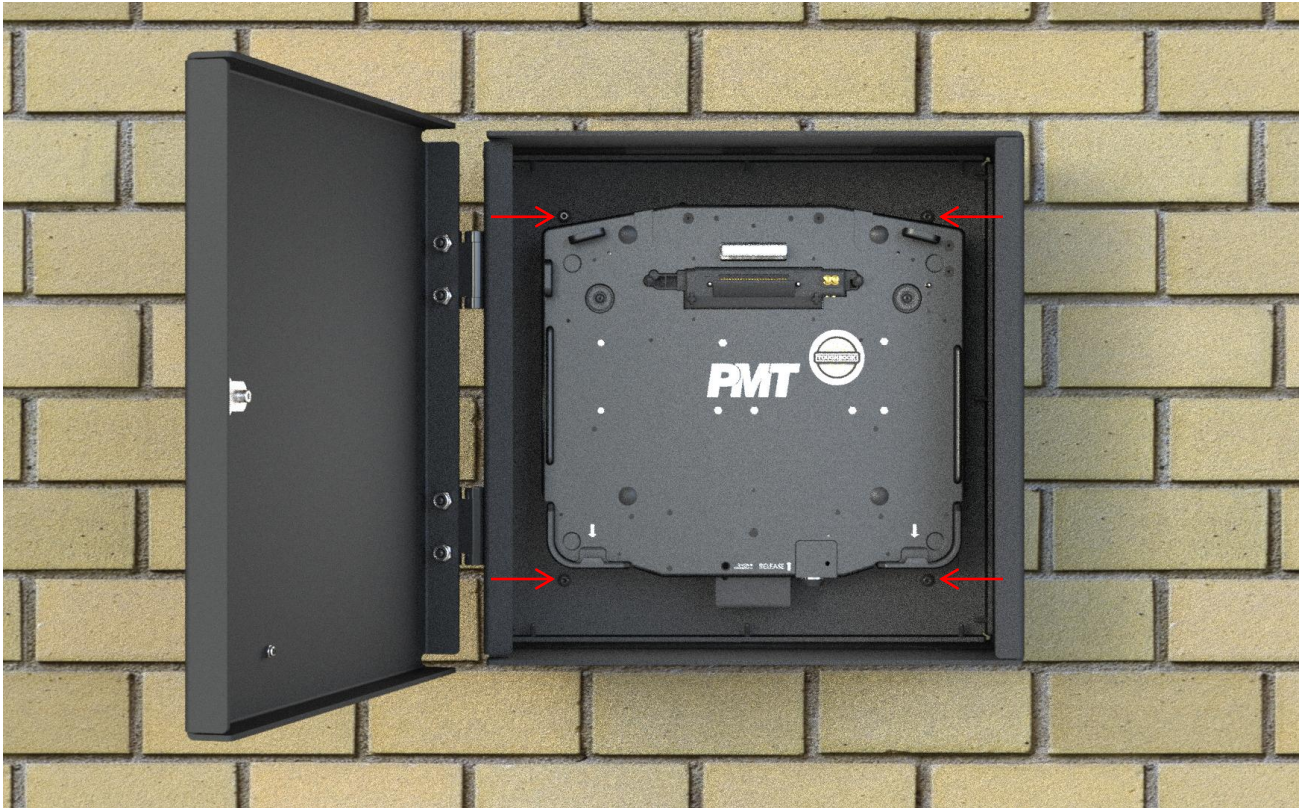
Align the docking station mounting holes with the cabinet mounting holes. Insert the provided flat head screws from the back of the cabinet and tighten the screws.



INSTALLATION INSTRUCTIONS

Step 4

Drill and secure cabinet to the wall or mounting surface using appropriate hardware.



Installation Complete.