



# 2025+ AND 2020-2024 FORD POLICE INTERCEPTOR UTILITY CABLE COVER MOUNT

## USER GUIDE

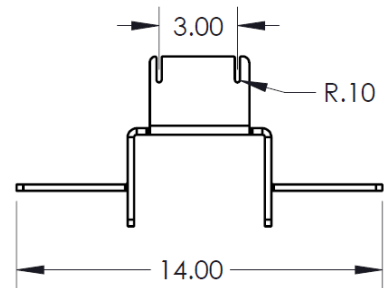
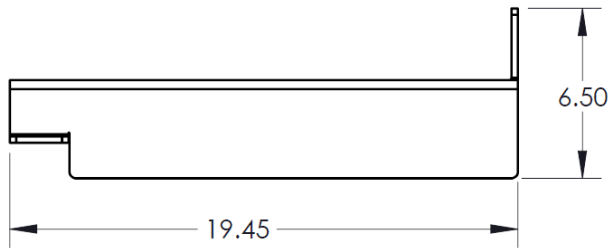
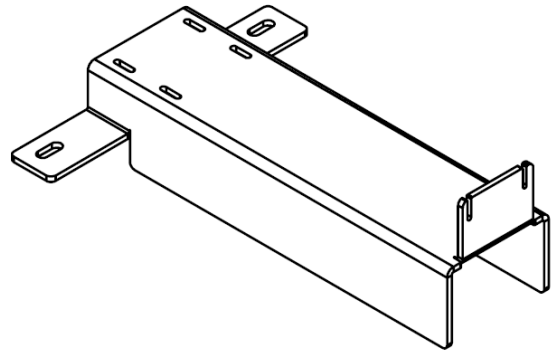
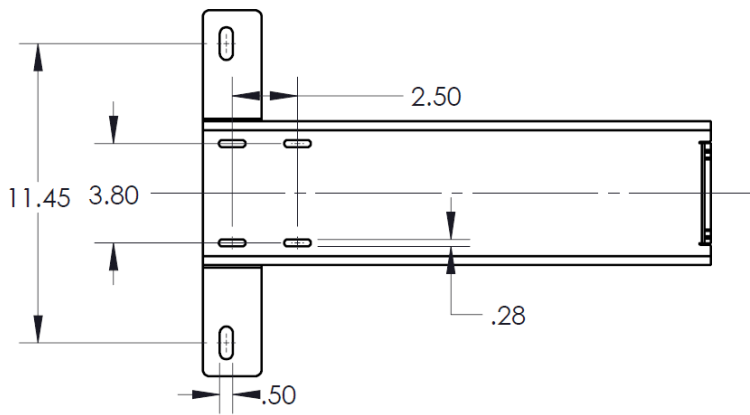
| Description   | Part Number |
|---|-------------|
| 2025+ AND 2020-2024 FORD POLICE INTERCEPTOR UTILITY CABLE COVER MOUNT | 40.C237.072 |

#### Product Mounting Disclaimer

Precision Mounting Technologies Ltd (PMT) are not liable under any theory of contract or tort law for any loss, damage, personal injury, special, incidental or consequential damages for personal injury or other damage of any nature arising directly or indirectly as a result of the improper installation or use of its products in vehicle or any other application. In order to safely install and use PMT products full consideration of vehicle occupants, vehicle systems (i.e., the location of fuel lines, brake lines, electrical, drive train or other systems), air-bags and other safety equipment is required. PMT specifically disclaims any responsibility for the improper use or installation of its products not consistent with original vehicle manufactures' specifications and recommendations, PMT product instruction sheets, or workmanship standards as endorsed through PMT policies and EULA.

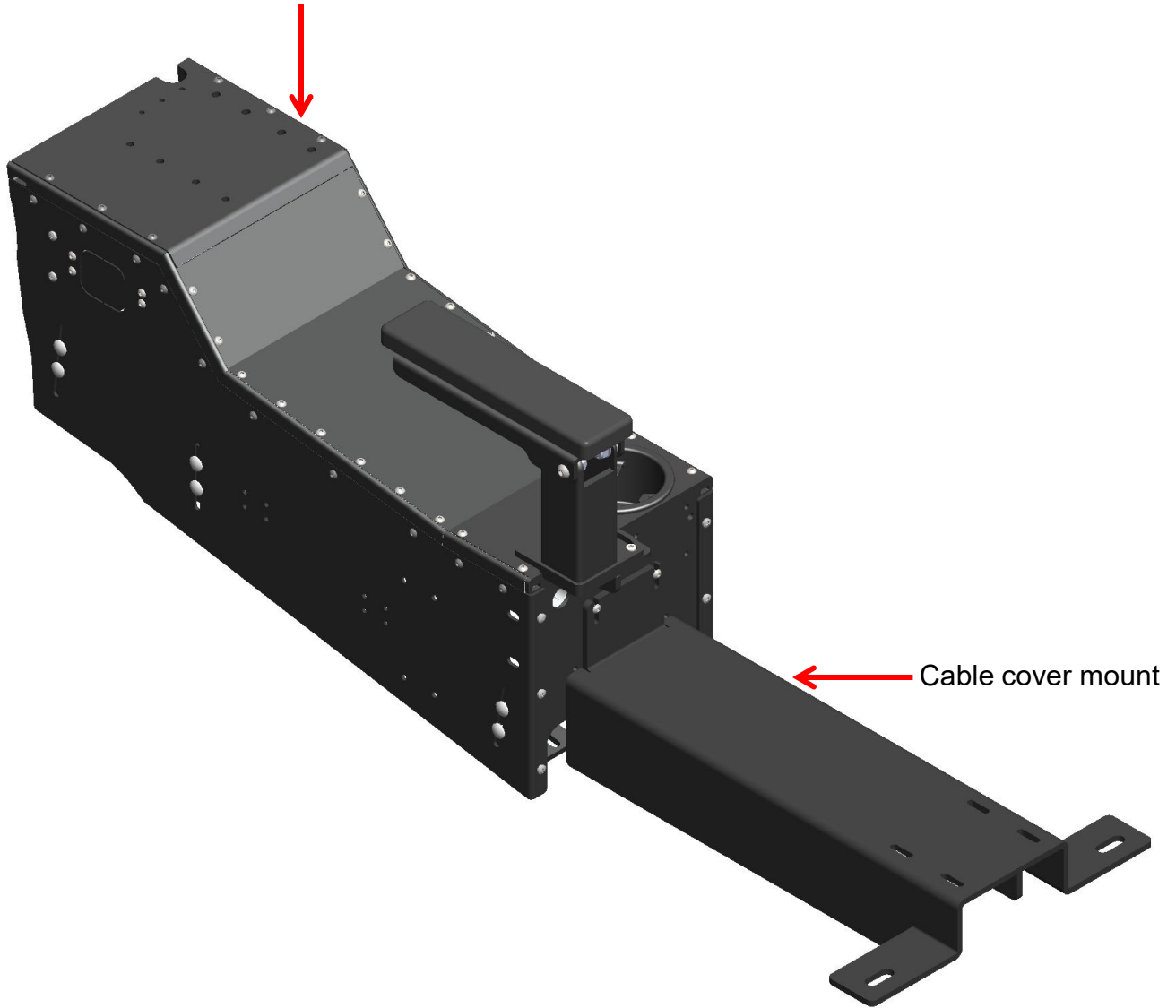


# PRODUCT DIMENSIONS



# DESCRIPTION OF THE PARTS

Console  
(Not included, sold separately)



# INSTALLATION INSTRUCTIONS

## Tools and hardware required:

- Metric and Imperial Socket Sets And Ratchet
- Allen Keys

## Step 1

Ensure cables and carpet are clear around the rear seats and console.

## Step 2

Remove the seat bolts. Push the cable cover toward the rear seat, then pivot into position. Loosely tighten the rear seat bolts at this stage. Final tighten and torque in Step 4.

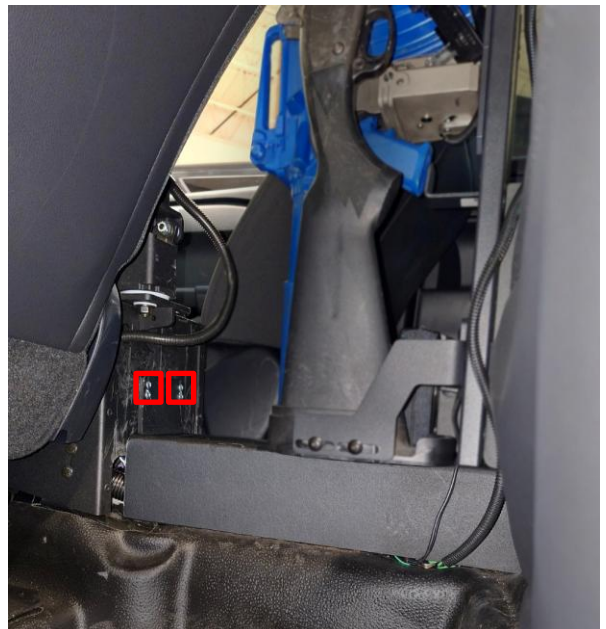


## Step 3

Position the front of the cable cover with the console mounting holes and loosely tighten hardware.

## Step 4

Ensure all cables and components are aligned and in place, fully tighten console hardware and seat bolts back in position making sure to follow vehicle manufacturer bolt torque specifications.



Installation complete.