



## DOCKING STATION FOR PANASONIC TOUGHBOOK® 55 AND 56 LAPTOPS USER GUIDE

Description	Part Number
DOCKING STATION FOR PANASONIC TOUGHBOOK® 56 LAPTOP LITE NPT	AS7.P056.100
DOCKING STATION FOR PANASONIC TOUGHBOOK® 56 LAPTOP LITE DPT	AS7.P056.102
CRADLE FOR PANASONIC TOUGHBOOK® 56 LAPTOP	AS7.P056.104
DOCKING STATION FOR PANASONIC TOUGHBOOK® 56 LAPTOP FULL NPT	AS7.P056.110
DOCKING STATION FOR PANASONIC TOUGHBOOK® 56 LAPTOP FULL DPT	AS7.P056.112

\*Versions with power adapter also available denoted by '-PS' suffix on part number

# GENERAL INSTRUCTIONS

## Safety:

- Safety is dependent on the proper installation and servicing of this docking station. It is important to read and follow all instructions before installing this product.
- Proper installation requires a good understanding of automotive electrical systems and is recommended to be performed by qualified technicians only.
- There are no adjustments or user serviceable parts within the docking station. Opening the docking station will void the product warranty
- Do not install equipment or route wires in the deployment path of any air bag, or where it may interfere with critical safety or operating controls of any vehicle.

## Wiring:

- PMT does not recommend relying on a cigarette socket adaptor for powering vehicle docks. We recommend hard wiring the power adapter using a good clean ground direct from the vehicle battery neg(-) post, and pos(+) supply from a fused 12Vdc location also directly from the vehicle battery. All peripherals connecting to the docking station requiring external power should get power and ground from the same location as the dock.
- Visit [www.precisionmounts.com/support/installation-user-guides.html](http://www.precisionmounts.com/support/installation-user-guides.html) for a copy of our general wiring and troubleshooting guide.

## Proper Use and Care:

- Proper care and use of this product is critical to maximize safety and to prevent damage to the docking station and laptop.
- Do not store, place, or drag any object on top of the docking station.
- Visually inspect the docking station and laptop for any defect before using the dock or docking the laptop. Do not use if damaged.
- Any modifications made to the docking station could result in adverse performance and damage to the laptop and/or docking station and will void the warranty.
- Do not attempt to dock a computer or dock with wet contacts

## SERVICING [ENTRETIEN]:

- If this product does not work as intended, please contact PMT for troubleshooting or to schedule a service. *[Si le dock ne fonctionne pas comme prévu, contactez PMT pour le dépannage ou pour planifier un service.]*
- Service should be only done by authorized service center personnel. Unauthorized servicing of the unit will void its warranty. *[L'entretien du dock ne doit être effectué que par le personnel du centre de service autorisé. Un entretien non autorisé du dock annulera sa garantie.]*

### Product Mounting Disclaimer

Precision Mounting Technologies Ltd (PMT) are not liable under any theory of contract or tort law for any loss, damage, personal injury, special, incidental or consequential damages for personal injury or other damage of any nature arising directly or indirectly as a result of the improper installation or use of its products in vehicle or any other application. In order to safely install and use PMT products full consideration of vehicle occupants, vehicle systems (i.e., the location of fuel lines, brake lines, electrical, drive train or other systems), air-bags and other safety equipment is required. PMT specifically disclaims any responsibility for the improper use or installation of its products not consistent with original vehicle manufactures' specifications and recommendations, PMT product instruction sheets, or workmanship standards as endorsed through PMT policies and EULA.



# GENERAL INSTRUCTIONS

## Power:

- The power input should be 15.6Vdc / 7.05 A.
- The dock is meant to operate on 14.5 Vdc to 16 Vdc.
- Panasonic recommends using a Lind Auto Adapter (PMT part no: PS001) for this dock.
- Power must only be supplied to either the dock or the laptop. Never at the same time.

## Environmental:

Storage: -20°C to 60°C (-4°F to 140°F)

Operating: -10°C to 50°C (14°F to 122°F)

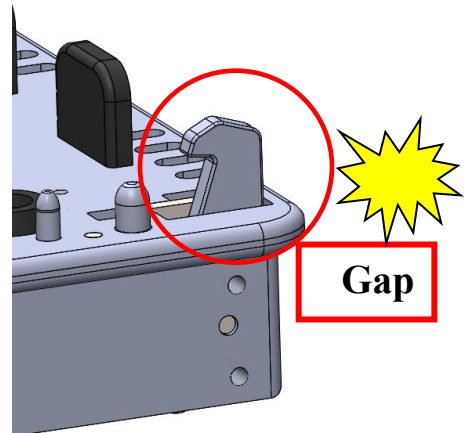
## External Antenna:

- For DPT (Dual Pass Thru) models, there is an option to turn off the external antenna. This switch is located on right hand side of the dock. Use a long pin or tool to toggle the switch gently. Turning off the external antenna will let the computer use in-built antenna. By default, the dock comes with the switch in ON position

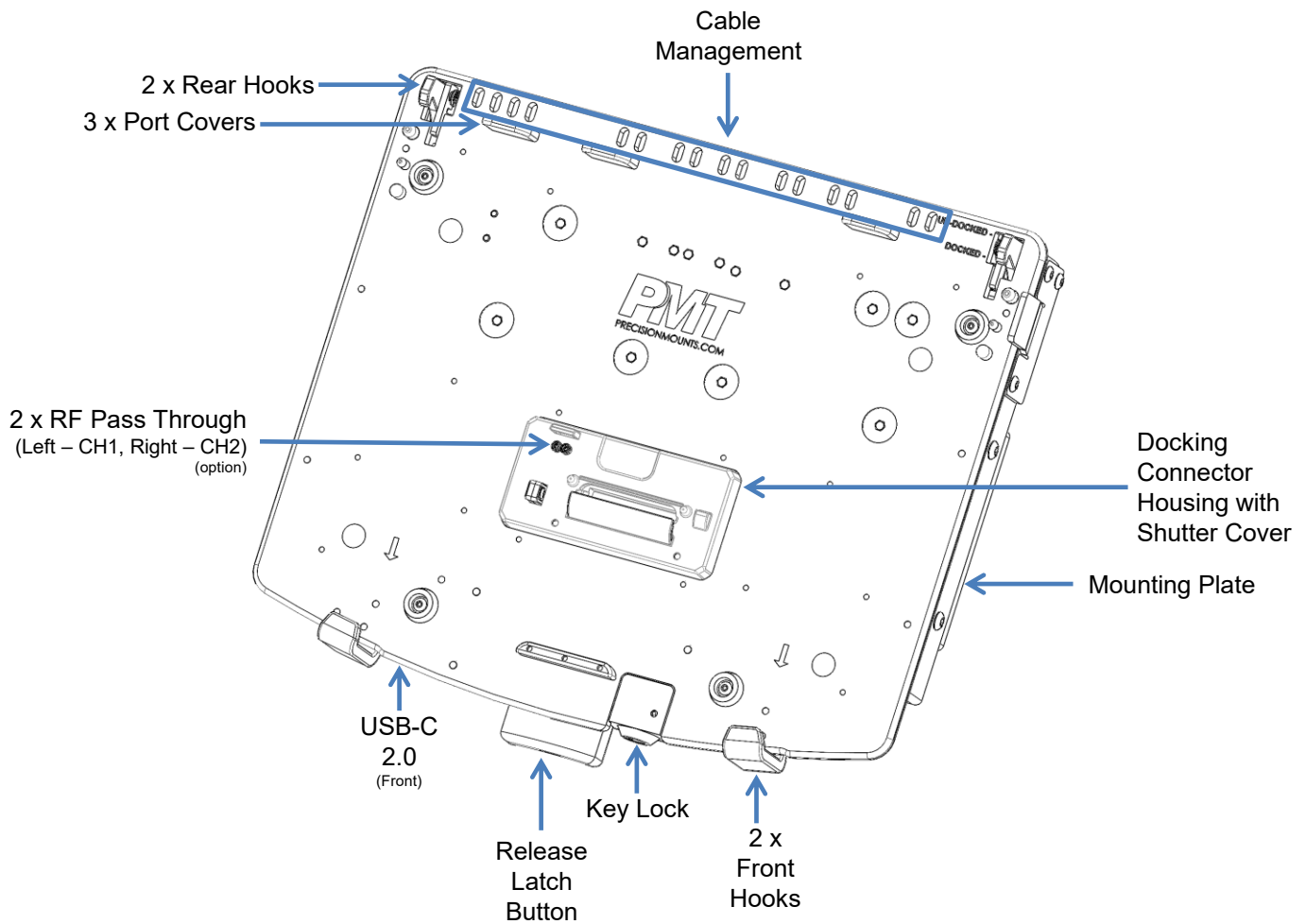
## Software

- [For TOUGHBOOK 55 \[A/B/C/D/E/F\] units, update the drivers to ensure compatibility with the docking station \(available from Panasonic Support: https://global-pc-support.connect.panasonic.com\)](https://global-pc-support.connect.panasonic.com)

In undocked position, DO NOT put fingers between the rear hooks and pin housing to avoid pinched fingers.



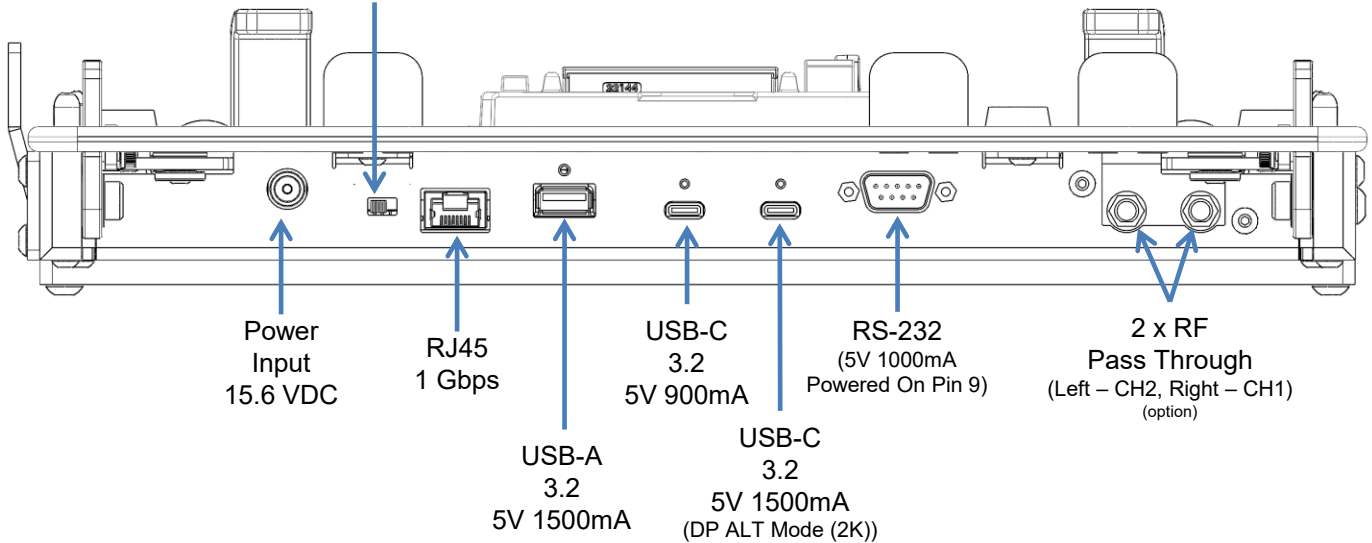
# DESCRIPTION OF PARTS



# REAR CONNECTOR PORTS

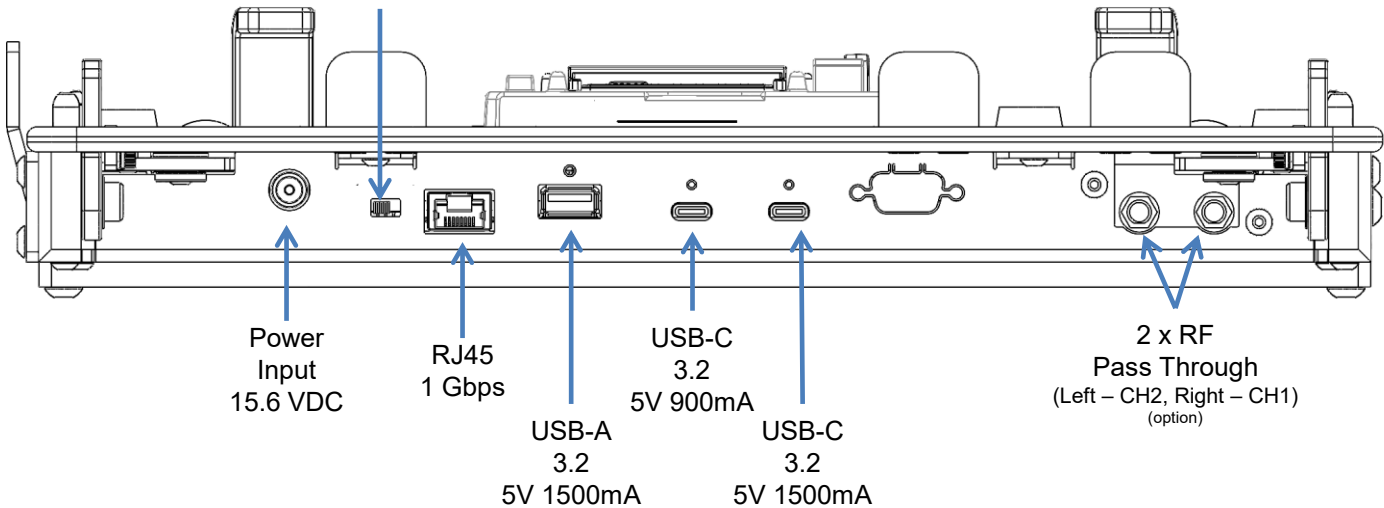
Part #: AS7.P056.112 - FULL VERSION

External Antenna Switch. Switch must be in the "ON" or outward position when using external antennas\*



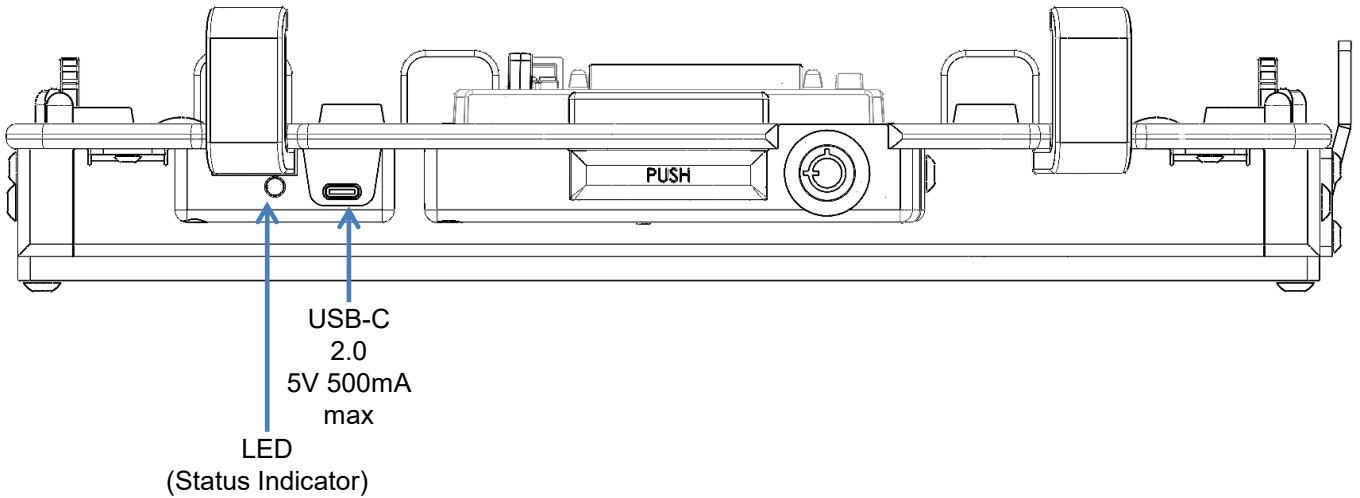
Part #: AS7.P056.102 - LITE VERSION

External Antenna Switch. Switch must be in the "ON" or outward position when using external antennas\*



\* For use with TOUGHBOOK 56 model, "Wireless Antenna Switching" Setting in the BIOS menu must be set to "[Auto]"

# FRONT CONNECTOR PORTS



- Green** – Dock powered with laptop connected
- Orange** – Laptop connected but dock not powered
- Red** – Dock powered but no laptop detected

# INSTALLATION INSTRUCTIONS

**Note:** Please ensure that the laptop is powered off and the handle is closed before docking and undocking

## Docking the Laptop

### Step 1

Ensure that the dock is unlocked and unlatched. If locked, insert key and rotate lock 90 degrees counter-clockwise. If latched, push the latch inside such that the rear hooks move all the way out.



### Step 2

Lead the front of the handle into the front hooks on the dock such that the pockets on keyboard line up with the front hooks. The port covers should help aligning the laptop as well.



### Step 3

Push gently in the back center of the laptop so that rear hook latches. If any resistance is felt, remove the laptop and re-align. A click sound should be heard when the rear hook latches. Verify the laptop is fully docked by lifting the laptop lightly. If properly docked the laptop will remain in place.



\*The laptop can be docked into the dock with lid open or closed. If the lid is open, make sure that no keys are pressed while docking.

\*\*Dock the TOUGHTBOOK® 56 laptop while pushing the **center rear** of the laptop. If pushed on the side, make sure to check both hooks are fully engaged before any operation. Always push in the red area as shown in the picture.



### Step 4

For additional security, insert and rotate key 90 degrees clockwise and remove the key to lock the laptop in the docking station. The laptop is only fully secure once the key is removed.



# INSTALLATION INSTRUCTIONS

## Undocking the Laptop

### Step 1

Ensure that the dock is unlocked. If locked, insert key and rotate lock 90 degrees counter-clockwise.

### Step 2

Use your thumb to push in the front release button on the front of the dock. This will push the rear clamps out and the laptop will eject with a small click sound.



### Step 3

Once the laptop ejects, gently lift the laptop out of the dock. Take care not to drag the laptop or any other device across the top surface of the dock to prevent damage to the pins.



# INSTALLATION INSTRUCTIONS

## Cable Management

Connect all cables securely to the ports on the dock and use tie straps to secure cables to the cable tie rail. Ensure to leave enough slack in wires exiting dock so that any positioning adjustments made to the dock will not strain the cables or connections, and so they do not interfere with dock or vehicle functions.

Use tie straps to secure opposite cable ends to another location in the vehicle.

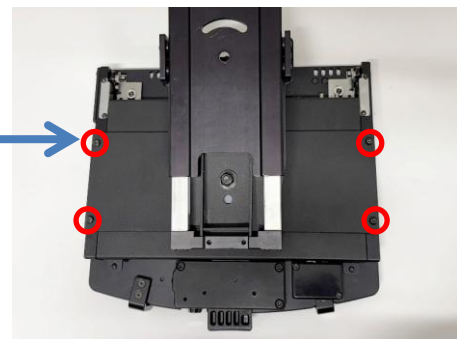
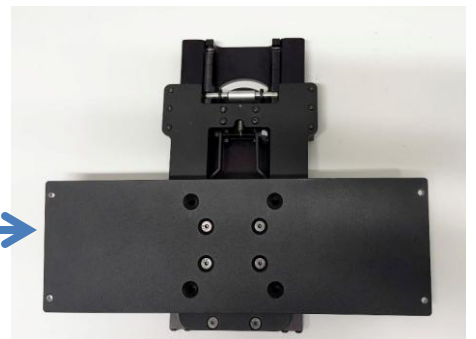


## Mounting

The standard mounting bracket that comes with the vehicle dock features an industry standard VESA 75. This allows easy mounting to many pre-existing mounts as well as dedicated mounts from PMT. Multiple hole patterns are also present for ease of installation with various other infrastructure. Use the supplied #1/4-20 or #10-24 hardware for attaching it to the mount and note the orientation of the mounting plate with the large hole towards the front of the dock.

Attach the mounting bracket to the dock using the 4 supplied #10-24 UNC screws as shown above (after attaching the mounting plate to mount).

Double check all connections and hardware for proper function and tension before deploying.



Regulatory Model #: AS7.P056.112

**Certifications:**

EN ISO / IEC 17050-1:2004

CSA C22.2 NO.60950-1

ICES-003 / CISPR 32 / EN 50498

ISO 10605

MIL-STD-810G:CHG1

RoHS(2011/65/EU)

