



TRIMLINE VEHICLE DOCK FOR PANASONIC CF33 LAPTOP COMPUTERS USER GUIDE

Description	Part Number
TRIMLINE DOCK FOR PANASONIC CF33 LAPTOP, NPT	AS7. P033.500
TRIMLINE DOCK FOR PANASONIC CF33 LAPTOP, DPT	AS7. P033.502
TRIMLINE DOCK FOR PANASONIC CF33 LAPTOP, NPT W/ SCREEN LOCK MODULE	AS7. P033.510
TRIMLINE DOCK FOR PANASONIC CF33 LAPTOP, DPT W/ SCREEN LOCK MODULE	AS7. P033.512
TRIMLINE CRADLE FOR PANASONIC CF33 LAPTOP	AS7. P033.504
TRIMLINE CRADLE FOR PANASONIC CF33 LAPTOP W/ SCREEN LOCK MODULE	AS7. P033.514
TRIMLINE DOCK FOR PANASONIC CF33 LAPTOP, DPT – CAP. LOCK	AS7.P033.522
TRIMLINE DOCK FOR PANASONIC CF33 LAPTOP Lite, NPT	AS7. P033.600
TRIMLINE DOCK FOR PANASONIC CF33 LAPTOP Lite, DPT	AS7. P033.602
TRIMLINE DOCK FOR PANASONIC CF33 LAPTOP Lite, NPT W/ SCREEN LOCK MODULE	AS7. P033.610
TRIMLINE DOCK FOR PANASONIC CF33 LAPTOP Lite, DPT W/ SCREEN LOCK MODULE	AS7. P033.612
CF33 LAPTOP DOCK - SCREEN LOCK MODULE	AS7. P033.006
CF33 LAPTOP DOCK - SCREEN SUPPORT	AS7. P033.007



GENERAL INSTRUCTIONS

Safety:

- Safety is dependent on the proper installation and servicing of this product. It is important to read and follow all instructions before installing this product.
- Proper installation requires a good understanding of automotive electrical systems and is recommended to be performed by qualified technicians only.
- There are no adjustments or user serviceable parts within this product. Opening the case will void the product warranty
- Do not install equipment or route wires in the deployment path of any air bag, or where it may interfere with critical safety or operating controls of any vehicle.

Wiring:

- PMT does not recommend relying on a cigarette socket adaptor for powering vehicle docks. We recommend hard wiring using a good clean ground direct from the vehicle battery (-) post, and (+) supply from a fused 12v location also directly from the vehicle battery. All Peripherals connecting to the docking station should get power and ground from the same location as the dock.
- Visit www.precisionmounts.com/support/installation-user-guides.html for a copy of our general wiring and troubleshooting guide.

Proper Use and Care:

- Proper care and use of this product is critical to maximize safety and to prevent damage to the docking station and laptop.
- Do not store, place, or drag any object on top of the docking station.
- Visually inspect the docking station and laptop for any defect before using the dock or docking the laptop. Do not use if damaged.
- Any modifications made to the docking station could result in adverse performance and damage to the laptop and/or docking station and will void the warranty.
- Do not attempt to dock a computer or dock with wet contacts

SERVICING [ENTRETIEN]:

- If this product does not work as intended, please contact PMT for troubleshooting or to schedule a service. *[Si le dock ne fonctionne pas comme prévu, contactez PMT pour le dépannage ou pour planifier un service.]*
- Service should be only done by authorized service center personnel. Unauthorized servicing of the unit will void its warranty. *[L'entretien du dock ne doit être effectué que par le personnel du centre de service autorisé. Un entretien non autorisé du dock annulera sa garantie.]*

Product Mounting Disclaimer

Precision Mounting Technologies Ltd (PMT) are not liable under any theory of contract or tort law for any loss, damage, personal injury, special, incidental or consequential damages for personal injury or other damage of any nature arising directly or indirectly as a result of the improper installation or use of its products in vehicle or any other application. In order to safely install and use PMT products full consideration of vehicle occupants, vehicle systems (i.e., the location of fuel lines, brake lines, electrical, drive train or other systems), air-bags and other safety equipment is required. PMT specifically disclaims any responsibility for the improper use or installation of its products not consistent with original vehicle manufactures' specifications and recommendations, PMT product instruction sheets, or workmanship standards as endorsed through PMT policies and EULA.



GENERAL INSTRUCTIONS

Power:

- The power input should be 15.6Vdc / 7.05 A.
- The dock is meant to operate on 14.5 Vdc to 16 Vdc.
- Panasonic recommends using a Lind Auto Adapter (PMT part no: PS001) for this dock.
- Power must only be supplied to either the dock or the laptop. Never at the same time.

Environmental:

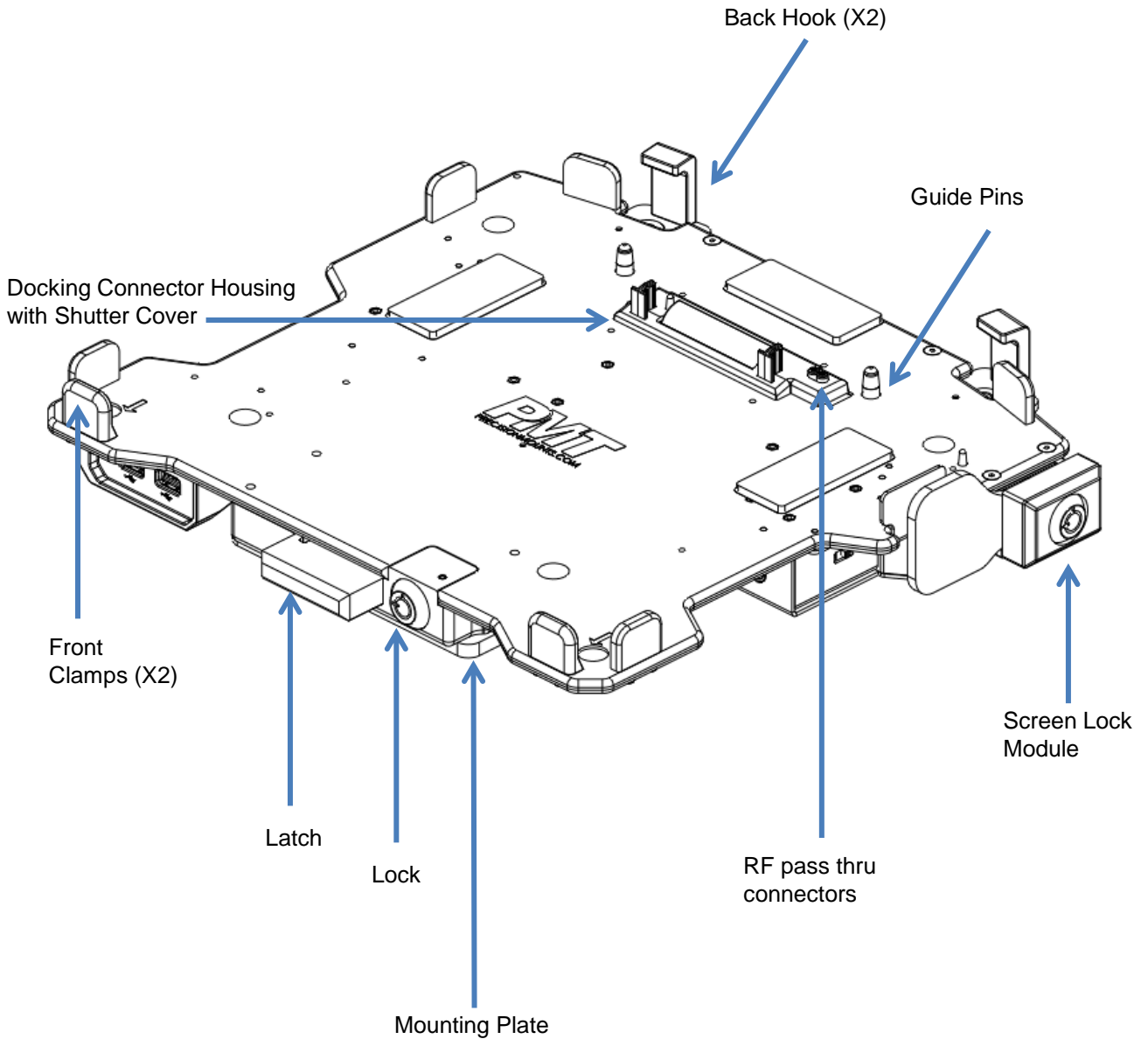
- Storage: -40°C to 85°C (-40°F to 185°F)
- Operating: -10°C to 63°C (14°F to 145.4°F)

External Antenna:

- For DPT (Dual Pass Thru) models, there is an option to turn off the external antenna. This switch is located next to power port of the dock. Toggle the switch gently – excess force might break the switch. Turning off the external antenna will let the computer use in-built antenna. By default, the dock comes with the switch in ON position.

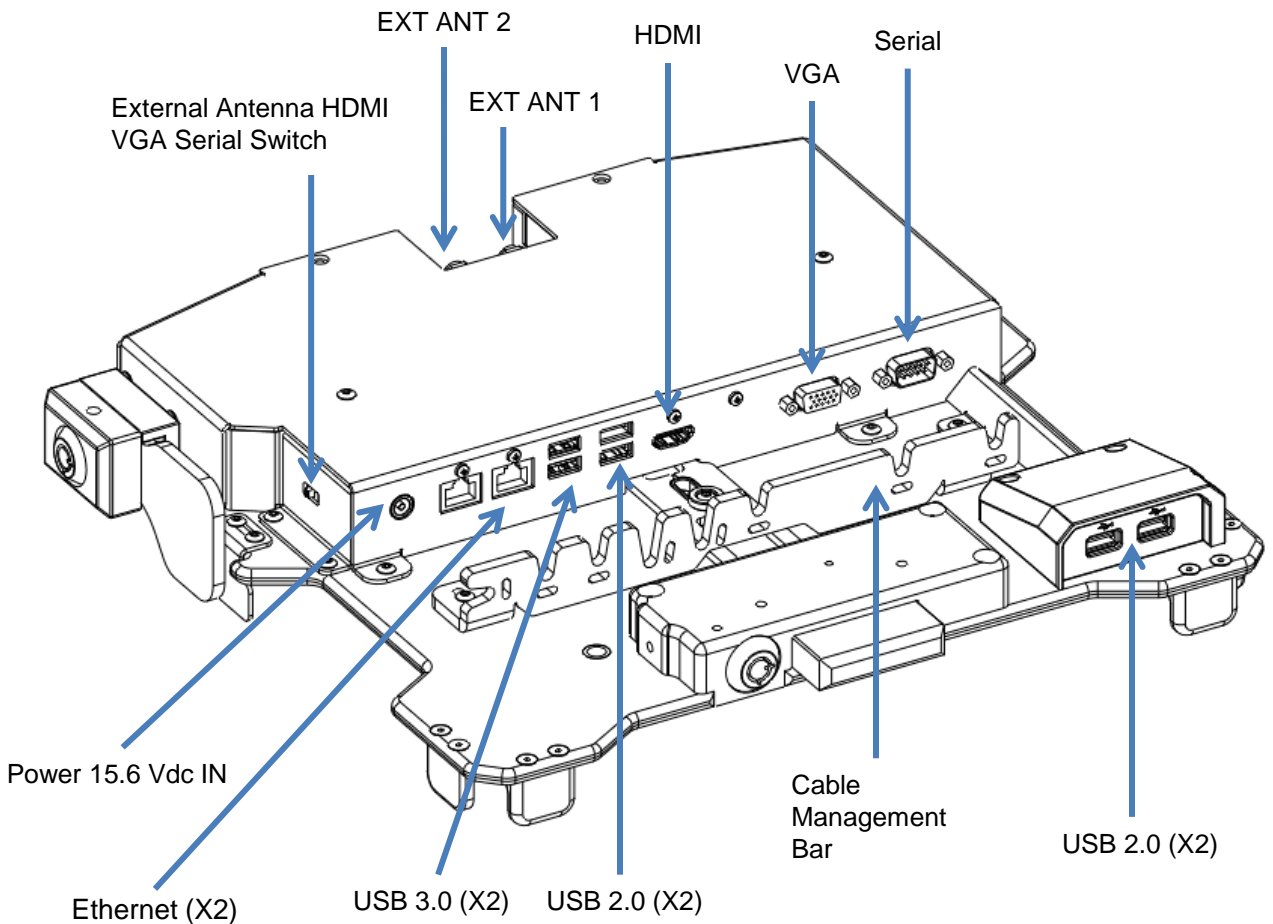
DESCRIPTION OF PARTS

Front View



DESCRIPTION OF PARTS

Rear View (without mounting plate)



INSTALLATION INSTRUCTIONS

Docking the Laptop

Step 1

Ensure that the dock is unlocked and unlatched. If locked, insert key and rotate lock 90 degrees counter-clockwise. If latched, push the latch inside such that the back hooks move all the way out.

Step 2

Lead the front of the keyboard into the dock such that the pockets on keyboard line up with the front hooks. The side tabs should help aligning the laptop as well.

Step 3

Push gently in the back center of the keyboard so that back hook latches. A click sound should be heard when the back hook latches.

*The laptop can be docked into the dock with lid open or close. If the lid is open, make sure that no keys are pressed while docking.

Step 4

[Additional security] Rotate key 90 degrees clockwise and remove the key to lock the laptop in the docking station. The tablet is only fully secure once the key is removed.



INSTALLATION INSTRUCTIONS

Undocking the Laptop

Step 1

Ensure that the dock is unlocked. If locked, insert key and rotate lock 90 degrees counter-clockwise.

Step 2

Use your thumb to push the latch in the front. This will push the back clamp out and the laptop will eject with a small click sound.

Once the laptop ejects, gently pull the laptop out of the dock



INSTALLATION INSTRUCTIONS

Cable Management and Mounting

Connect all cables securely to dock ports, and use tie straps to secure cables to the “Cable Management Bar” as shown. The cable tie bar has slots, so if needed, the location can be adjusted slightly.

The standard mounting bracket that comes with the vehicle dock features an industry standard VESA 75mm x 75mm bolt pattern. This allows easy mounting to many preexisting mounts as well as dedicated mounts from PMT. Use the supplied #¼-20 hardware for attaching it to the mount. Attach the mounting bracket to the dock using the 4 supplied #10-24 UNC screws as shown above (after attaching the mounting plate to PMT mount)



INSTALLATION INSTRUCTIONS

Screen Lock Module

Screen Lock Module prevents theft deterrence of the tablet from the laptop while it is in the dock. Screen Lock module is not included in all the kits. It comes attached to the dock if it is included in the kit.

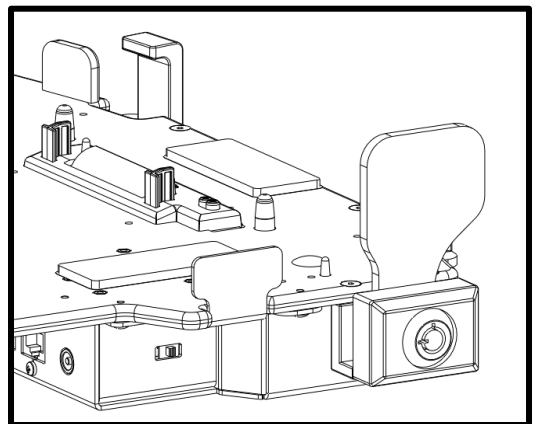
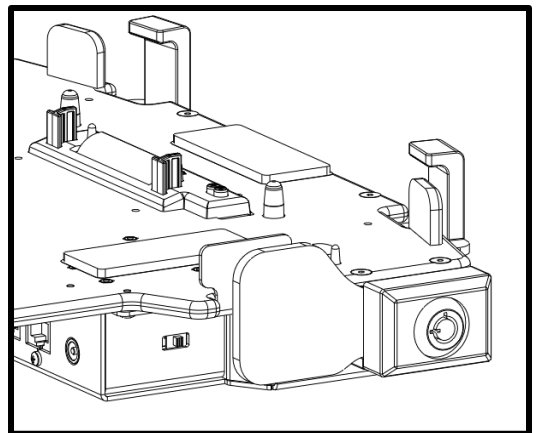
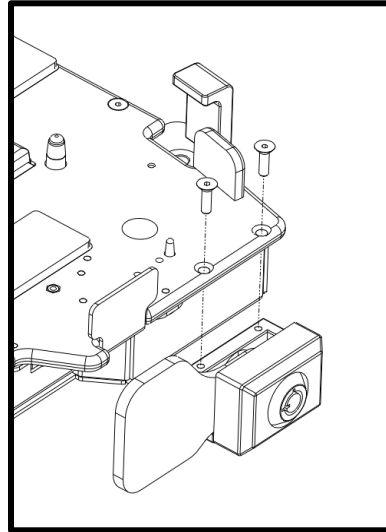
A Screen Lock module could be purchased separately and installed later. If the Screen Lock was purchased separately, attach it to the passenger side of the dock using the #6-32 hardware provided (as shown aside).

Below images show the Screen Lock Module in unlocked (arm is horizontal) and locked (arm is vertical) position.

Once the laptop is docked and locked, activate the screen lock module by inserting the key in the lock and rotating it 90 degrees in clockwise direction. This would rotate the arm by 90 degrees and block the tablet lock/unlock button on the keyboard tray.

The laptop can be docked/undocked from the dock irrespective of Screen Lock Module position. If needed the Screen Lock Module can be left always in locked position.

The Screen Lock Module can be locked/unlocked with the same key of the dock



INSTALLATION INSTRUCTIONS

Screen Support

Screen Support provides additional support to the screen and reduce the screen rattle during dock usage. Screen Support is not included in any dock kits. It could be purchased separately and installed.

Attach it to the driver side of the dock using the #6-32 hardware provided (as shown below). The clearance between the screen support arm and the screen could be adjusted due to the mounting slots. Loosen the #6-32 (X2) screws and adjust the placement of the screen support.

