



## PMT 2025+ CHEVROLET TAHOE 9" WIDE AND 12" WIDE CONSOLE INSTALLATION GUIDE

Description	Part Number
2025+ CHEVROLET TAHOE 12" WIDE CONSOLE	AS4.C251.101/102/105
2025+ CHEVROLET TAHOE 12" WIDE PRINTER CONSOLE WITH MOUSETRAP	AS4.C251.122
2025+ CHEVROLET TAHOE 9" WIDE CONSOLE	AS4.C252.101/105/105

### Product Mounting Disclaimer

Precision Mounting Technologies Ltd (PMT) are not liable under any theory of contract or tort law for any loss, damage, personal injury, special, incidental or consequential damages for personal injury or other damage of any nature arising directly or indirectly as a result of the improper installation or use of its products in vehicle or any other application. In order to safely install and use PMT products full consideration of vehicle occupants, vehicle systems (i.e., the location of fuel lines, brake lines, electrical, drive train or other systems), air-bags and other safety equipment is required. PMT specifically disclaims any responsibility for the improper use or installation of its products not consistent with original vehicle manufactures' specifications and recommendations, PMT product instruction sheets, or workmanship standards as endorsed through PMT policies and EULA.

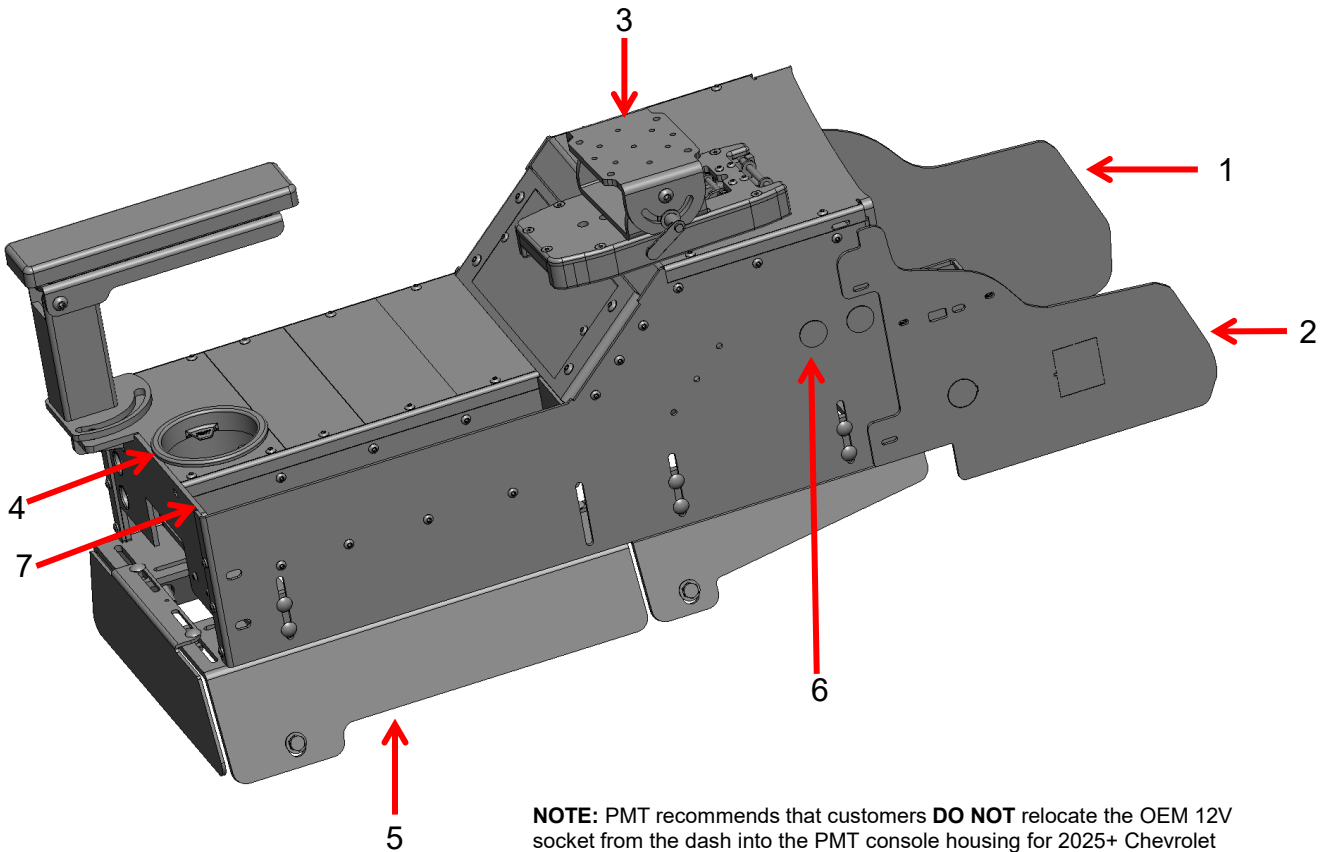


# PRODUCT VISUALS



12" wide console for 2025+ Chevrolet Tahoe shown above with optional blank faceplates, single cup holder & single breakaway armrest, mousetrap with low profile tilt and laptop docking station.

# DESCRIPTION OF PARTS



**NOTE:** PMT recommends that customers **DO NOT** relocate the OEM 12V socket from the dash into the PMT console housing for 2025+ Chevrolet Tahoe consoles, as improper installation may cause an electrical short. Console includes 2x - 7/8" round hole for additional 12V socket if desired.

1. Left trim panel - driver side wing
2. Right trim panel - passenger side wing
3. Mousetrap with adjustable multi-pattern tilt to mount docking stations
4. Single breakaway armrest and cupholder
5. Mounting leg kit
6. 12V socket
7. Side storage pocket

# INSTALLATION INSTRUCTIONS

## Step 1

Remove OEM center seat, with 18mm socket. After removing the 4 bolts, remove the center seat, (keep bolts for re-use or use hardware provided) disconnect any electrical harness. See Fig 1



Fig 1

## Step 2

Relocating OEM USB, \*First remove the lower center trim by loosening the bolt on the driver side with a 7mm socket then pull on the trim straight back (trim is held on by clips) \*Trim that is holding the USB housing can be pulled out in the same manner.

\*Disconnect the harness. See Fig 2



Fig 2

# INSTALLATION INSTRUCTIONS

## Step 3

Align the leg kit brackets with the OEM holes as shown in Fig 3, use the M12 bolts provided or OEM bolts to fasten the leg kit, by using an 18mm socket

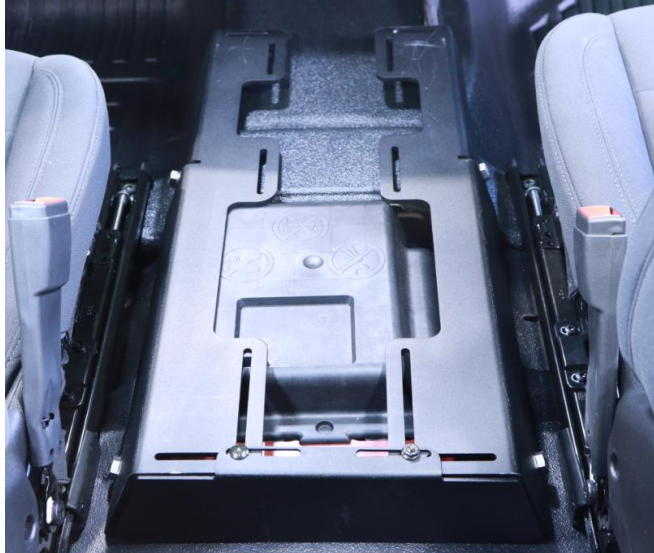


Fig 3

## Step 4

Align the console box over the leg kit as shown and fasten the leg brackets with the console leg brackets as shown in Fig 4, 5- use a 7/16" socket wrench

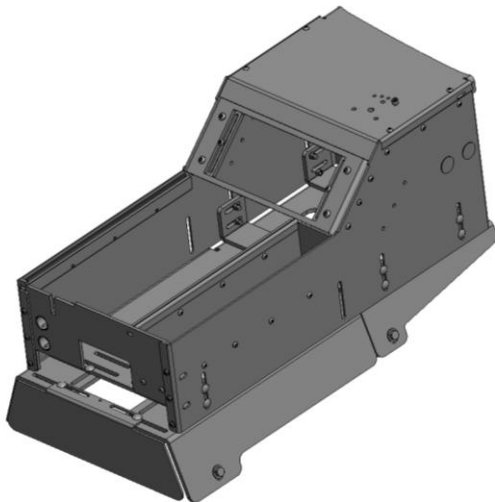


Fig 4

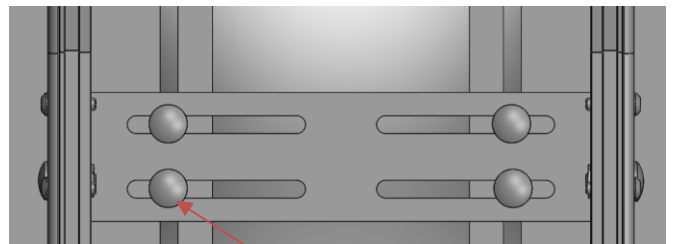


Fig 5

1/4-20 Carriage bolts and nuts provided with Leg kit

# INSTALLATION INSTRUCTIONS

## Step 5

While trim is loose, to gain more length in the harness behind the trim, pop out the push in clips that are holding the harness then reinstall the center trim pieces. Install the USB housing on passenger side of console. See Fig 6



Fig 6

## Step 6

Install the trim panels on driver side and passenger side by drilling / tapping holes for #10-24 hardware at the proper locations on console plates to match the trim panels with the vehicle dash. See Fig 7.



Fig 7

# INSTALLATION INSTRUCTIONS

## Step 7

Now the console can be installed with all other equipment required –  
See Fig 8 below as an example.



Fig 8