



# 2015-2020 & 2021+ F150 & 2017+ F250-550 FLOOR U-BRACKET KIT USER GUIDE

Description	Part Number
2015-2020 & 2021+ F150 & 2017+ F250-550 FLOOR U-BRACKET KIT	AS4.R121.004

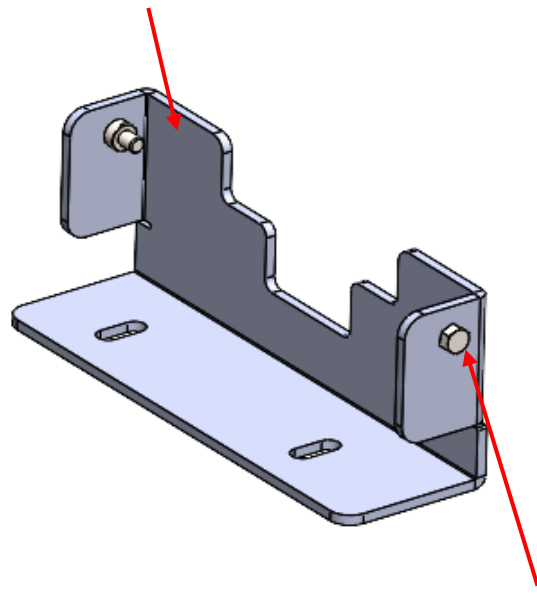
#### Product Mounting Disclaimer

Precision Mounting Technologies Ltd (PMT) are not liable under any theory of contract or tort law for any loss, damage, personal injury, special, incidental or consequential damages for personal injury or other damage of any nature arising directly or indirectly as a result of the improper installation or use of its products in vehicle or any other application. In order to safely install and use PMT products full consideration of vehicle occupants, vehicle systems (i.e., the location of fuel lines, brake lines, electrical, drive train or other systems), air-bags and other safety equipment is required. PMT specifically disclaims any responsibility for the improper use or installation of its products not consistent with original vehicle manufactures' specifications and recommendations, PMT product instruction sheets, or workmanship standards as endorsed through PMT policies and EULA.



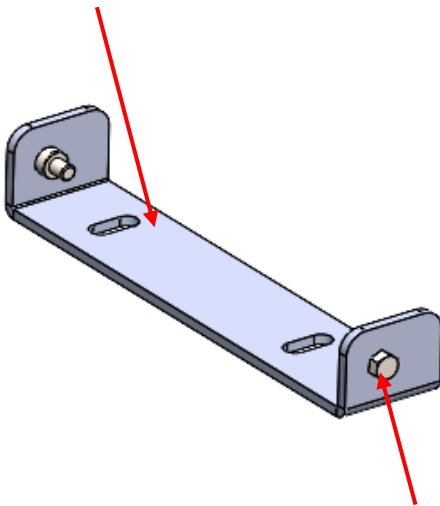
# DESCRIPTION OF PARTS

2015+ F150/F250 Floor U-Bracket Rear



2x 3/8"-16X1" Hex Head Bolt

2015+ F150/F250 Floor U-Bracket Front



2x 3/8"-16X1" Hex Head Bolt

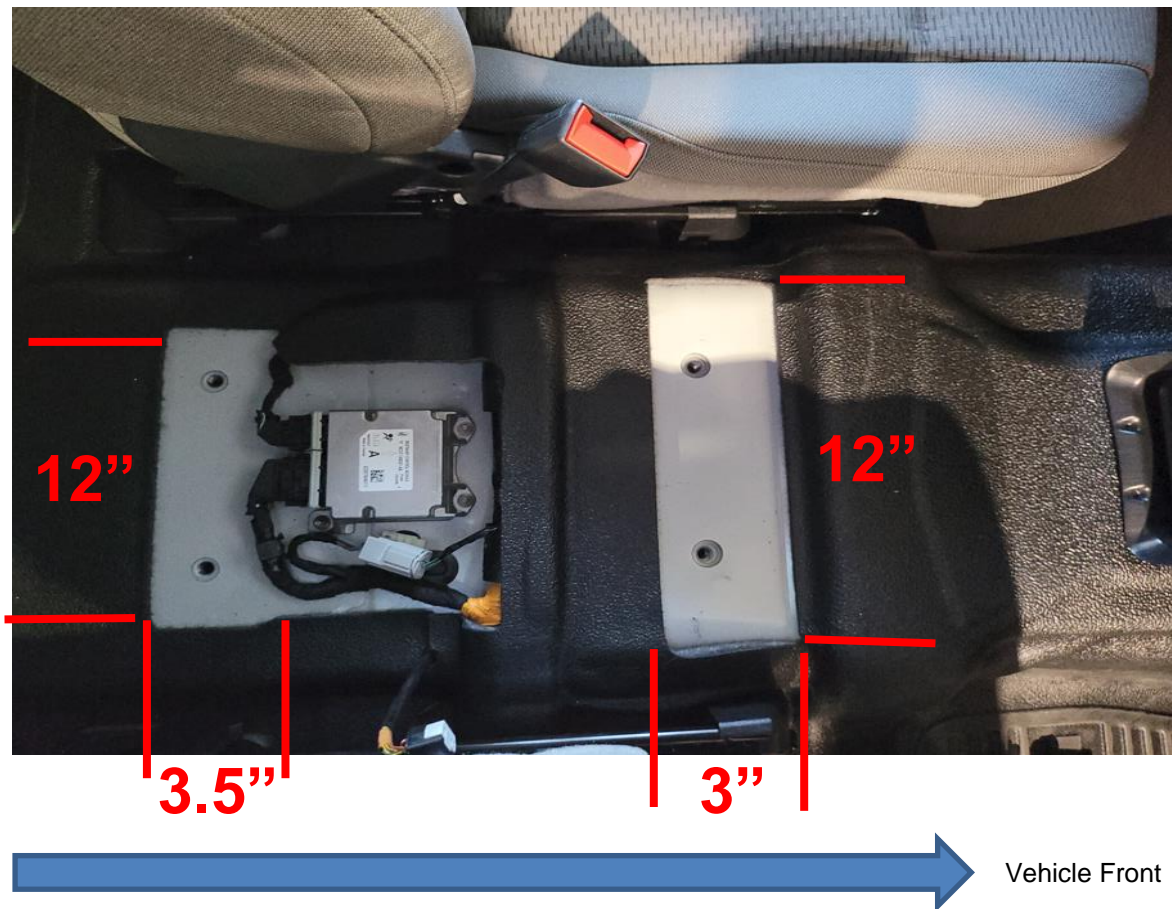
# INSTALLATION INSTRUCTIONS

## Tools and hardware required:

- M12 x 50mm(2") tap
- M12 x 50mm bolts and washers
- 18mm wrench
- 15mm wrench

## Step 1

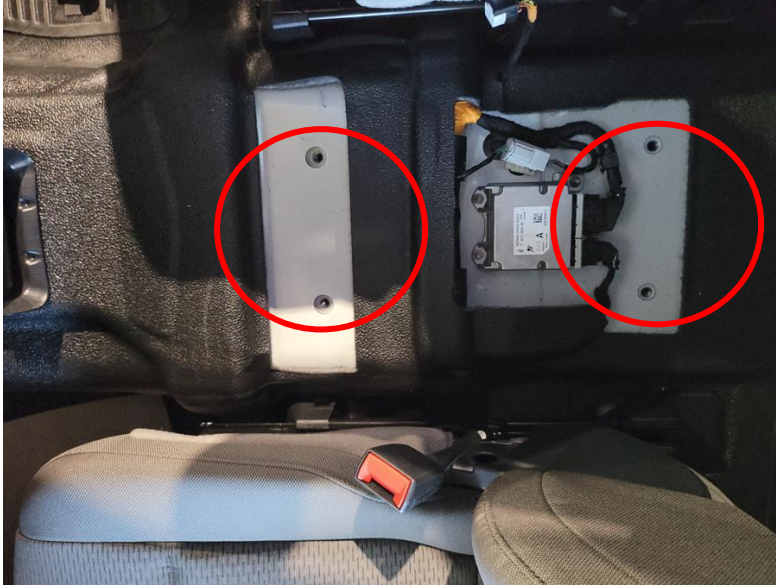
If the mounting holes are covered by the floor mat, cut below dimensions before installing the U-Bracket



# INSTALLATION INSTRUCTIONS

## Step 2

If the four mounting holes are not pre-tapped, use the M12 x 50mm(2") tap and tap 4 holes at least 50mm depth



## Step 3

If the four mounting holes are not pre-tapped, use the M12 x 50mm(2") tap and tap 4 holes at least 50mm depth



# INSTALLATION INSTRUCTIONS

## Step 4

Attach the M12x50mm bolts and tighten it securely.



Sourcing the original M12x50MM OEM bolts and washers for better strength and durability is highly recommended.

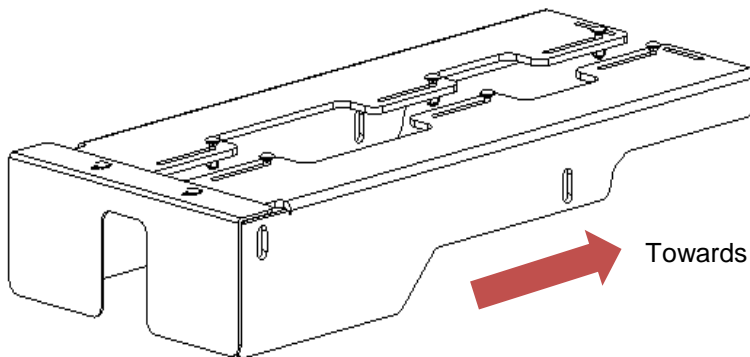
# INSTALLATION INSTRUCTIONS

## Step 5

Use the supplied 3/8"-16X1" Hex Head Bolt to attach the 2015+ F150 floor brackets---AS4.R121.002 (sold separately).



Towards front of vehicle



Towards front of vehicle

