



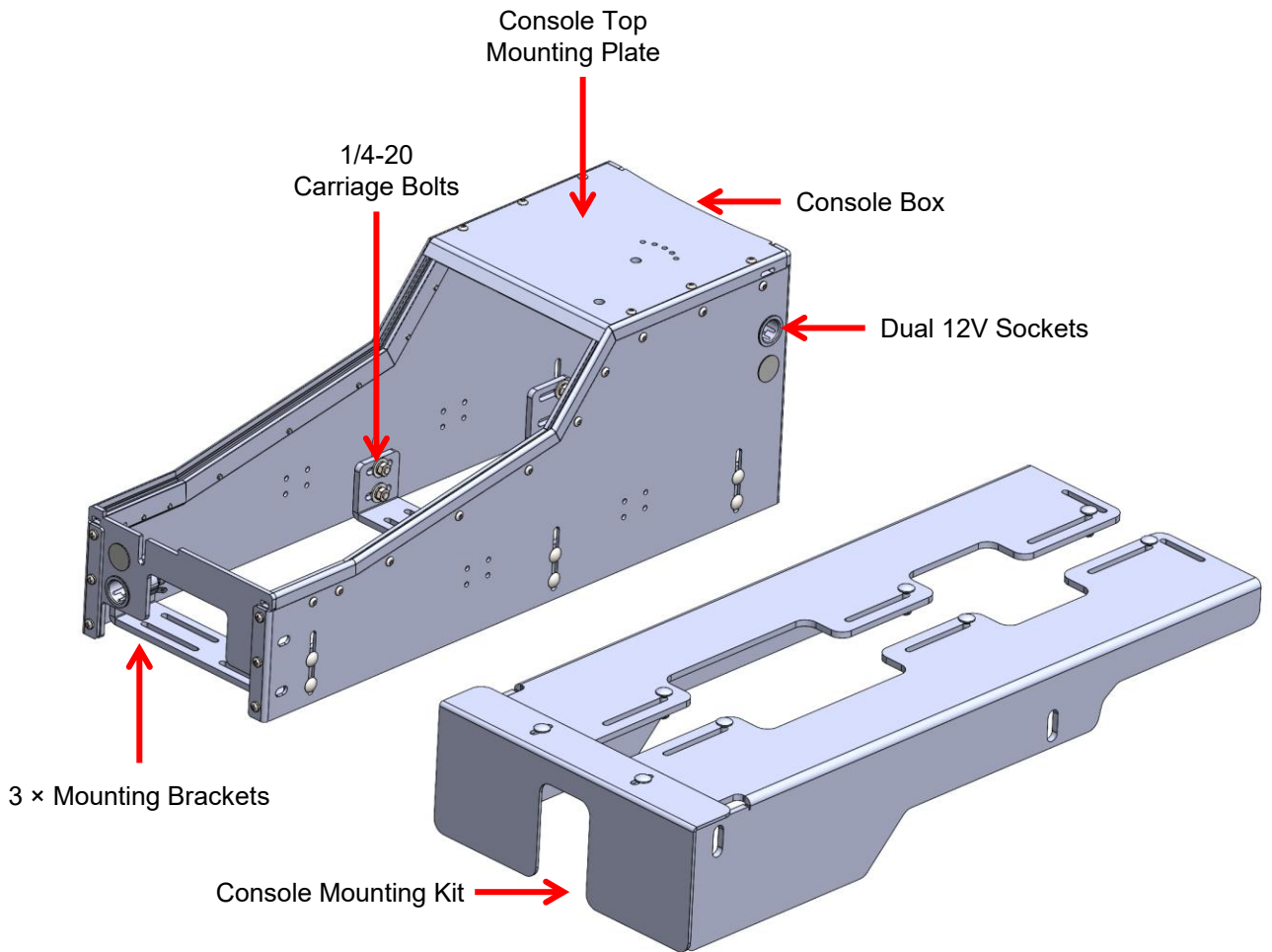
PMT UNIVERSAL CONSOLES INSTALLATION GUIDE

Product Mounting Disclaimer

Precision Mounting Technologies Ltd (PMT) are not liable under any theory of contract or tort law for any loss, damage, personal injury, special, incidental or consequential damages for personal injury or other damage of any nature arising directly or indirectly as a result of the improper installation or use of its products in vehicle or any other application. In order to safely install and use PMT products full consideration of vehicle occupants, vehicle systems (i.e., the location of fuel lines, brake lines, electrical, drive train or other systems), air-bags and other safety equipment is required. PMT specifically disclaims any responsibility for the improper use or installation of its products not consistent with original vehicle manufactures' specifications and recommendations, PMT product instruction sheets, or workmanship standards as endorsed through PMT policies and EULA.



DESCRIPTION OF PARTS



Note:

Some consoles may include vehicle specific trim panels designed to follow the vehicle interior.

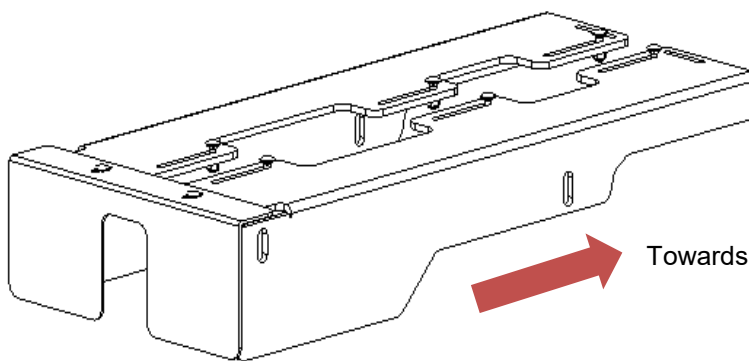
INSTALLATION INSTRUCTIONS

Step 1

Install the available console mounting kit with the cantilevered end facing towards the front of the vehicle as shown. The holes on the vertical part of the brackets line up with holes on the hump of the vehicle itself. The cantilevered end of the brackets also has a spacer screwed to the inside which will help identify direction. Insert the supplied carriage bolts in the slots as pictured for mounting the console in a later step.



Towards front of vehicle



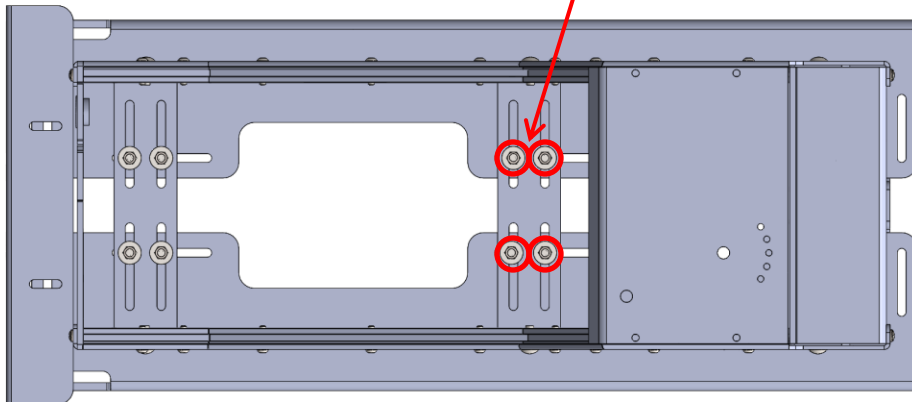
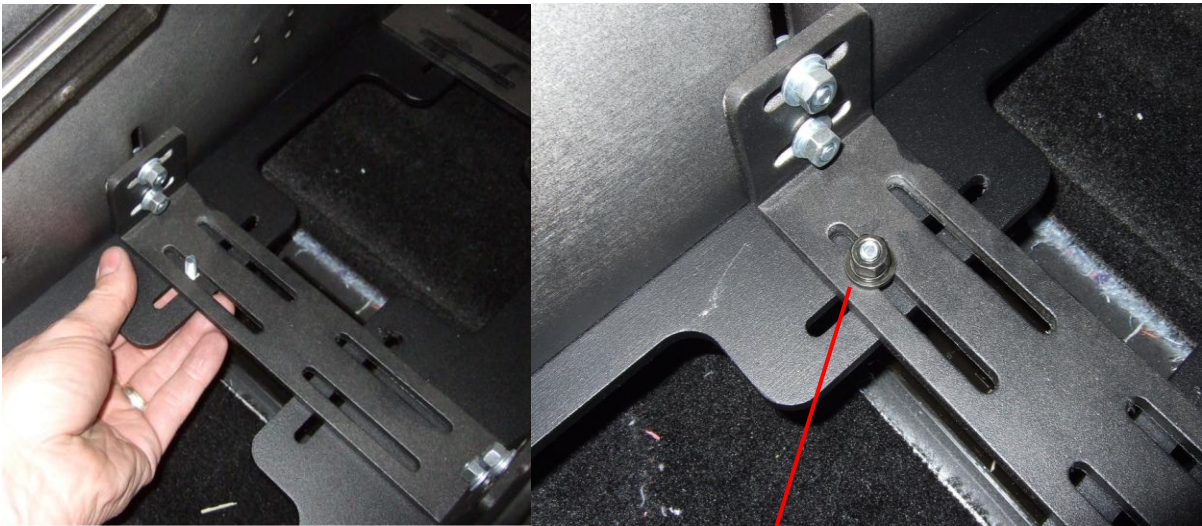
Towards front of vehicle

INSTALLATION INSTRUCTIONS

Step 2

Place console on top of mounting kit as shown, with the front of the console positioned as close to the dash as possible. The mounting brackets inside the console should line up with the floor bracket slots and carriage bolts that were inserted in Step 1.

Insert and loosely tighten any remaining carriage bolts and nuts, requiring a minimum of 4 × ¼-20" carriage bolts per mounting bracket attaching the console to the mounting kit.



INSTALLATION INSTRUCTIONS

Step 3

Fully tighten the 4 bolts attaching the mounting brackets to the vehicle. And secure the console in place.



Tighten all remaining hardware inside the console, including the bolts securing the cross brackets.



If side mounted armrest are being used, attach the armrest to the driver side of the console.

Side Mount Armrest Bolts



INSTALLATION INSTRUCTIONS

Step 4

Attach left and right trim panels by lining up with the console and dash and attaching to console with two screws (not provided) per side as shown

Note:

This step is applicable only for consoles that include trim panels.



INSTALLATION INSTRUCTIONS

Step 5

Install the optionally supplied: dual cup holder plate, blank filler plates, radio faces plates, and laptop mounting plates.

The plates are secured to the console using the supplied 10-24 nuts that are slid into the console rails, and then fastened with the supplied 10-24 × 5/8" screws.



Tip

PMT consoles use a "floating nut" style rail for attaching face plates to the console. In the consoles that have angled rails, foam inserts are used to help position the nuts for easier alignment with the face plates mounting screws. Use an Allen (hex) key to position the foam and nut where desired, then mount the face plate.



Step 6

Go over everything to make sure that everything is fully tightened and secure.

Adjust positioning and go over how the built-in adjustments are used to maximize comfort, safety and functionality.

