



TRIMLINE VEHICLE DOCK FOR PANASONIC G1 G2 TABLET COMPUTERS USER GUIDE

Description	Part Number
DOCKING STATION FOR PANASONIC TOUGHBOOK® G1 G2 NPT	AS7.P201.100
DOCKING STATION FOR PANASONIC TOUGHBOOK® G1 G2 DPT	AS7.P201.102
CRADLE FOR PANASONIC TOUGHBOOK® G1 G2	AS7.P201.104
DOCKING STATION FOR PANASONIC TOUGHBOOK® G1 G2 EXTENDED NPT	AS7.P201.200
DOCKING STATION FOR PANASONIC TOUGHBOOK® G1 G2 EXTENDED DPT	AS7.P201.202
CRADLE FOR PANASONIC TOUGHBOOK® G1 G2 EXTENDED	AS7.P201.204
DOCKING STATION FOR PANASONIC TOUGHBOOK® G1 G2 LITE NPT	AS7.P201.120
DOCKING STATION FOR PANASONIC TOUGHBOOK® G1 G2 LITE DPT	AS7.P201.122
DOCKING STATION FOR PANASONIC TOUGHBOOK® G1 G2 EXTENDED LITE NPT	AS7.P201.220
DOCKING STATION FOR PANASONIC TOUGHBOOK® G1 G2 EXTENDED LITE DPT	AS7.P201.222



GENERAL INSTRUCTIONS

Safety:

- Safety is dependent on the proper installation and servicing of this docking station. It is important to read and follow all instructions before installing this product.
- Proper installation requires a good understanding of automotive electrical systems and is recommended to be performed by qualified technicians only.
- There are no adjustments or user serviceable parts within the docking station. Opening the docking station will void the product warranty
- Do not install equipment or route wires in the deployment path of any air bag, or where it may interfere with critical safety or operating controls of any vehicle.

Wiring:

- PMT does not recommend relying on a cigarette socket adaptor for powering vehicle docks. We recommend hard wiring the power adapter using a good clean ground direct from the vehicle battery neg(-) post, and pos(+) supply from a fused 12vdc location also directly from the vehicle battery. All peripherals connecting to the docking station requiring external power should get power and ground from the same location as the dock.
- Visit www.precisionmounts.com/support/installation-user-guides.html for a copy of our general wiring and troubleshooting guide.

Proper Use and Care:

- Proper care and use of this product is critical to maximize safety and to prevent damage to the docking station and tablet.
- Do not store, place, or drag any object on top of the docking station.
- Visually inspect the docking station and tablet for any defect before using the dock or docking the laptop. Do not use if damaged.
- Do not attempt to dock a computer or dock with wet contacts

SERVICING [ENTRETIEN]:

- If this product does not work as intended, please contact PMT for troubleshooting or to schedule a service. *[Si le dock ne fonctionne pas comme prévu, contactez PMT pour le dépannage ou pour planifier un service.]*
- Service should be only done by authorized service center personnel. Unauthorized servicing of the unit will void its warranty. *[L'entretien du dock ne doit être effectué que par le personnel du centre de service autorisé. Un entretien non autorisé du dock annulera sa garantie.]*

Power:

- The power input should be 15.0Vdc / 5.5 A. The dock is meant to operate on 14.5 Vdc to 16 Vdc. Use a recommended power supply for the dock. Panasonic recommends using a Lind Auto Adapter (PMT part#: PS001) for this dock.

Environmental:

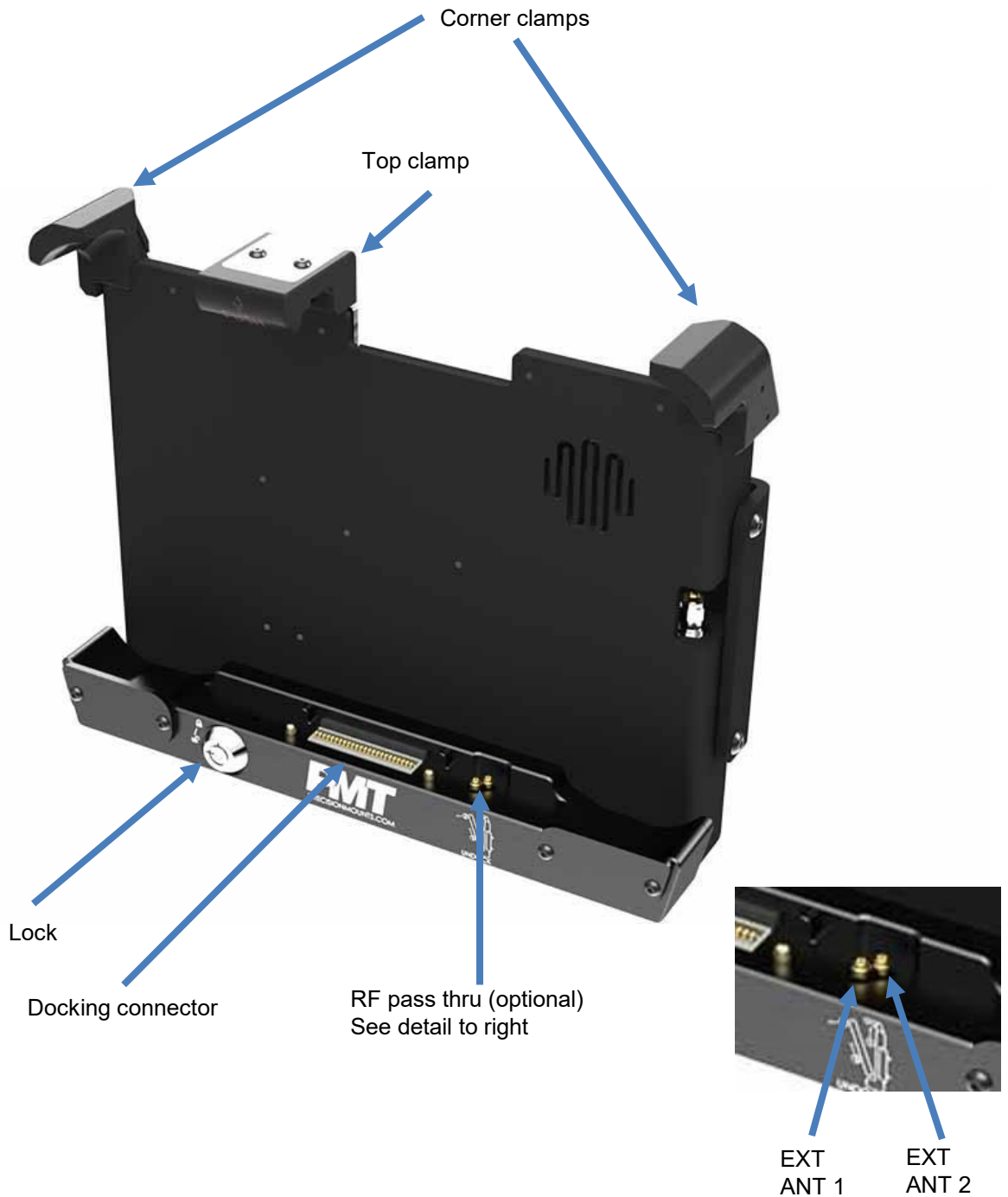
- Storage: -40°C to 85°C (-40°F to 185°F)
- Operating: -10°C to 63°C (14°F to 145.4°F)

Product Mounting Disclaimer

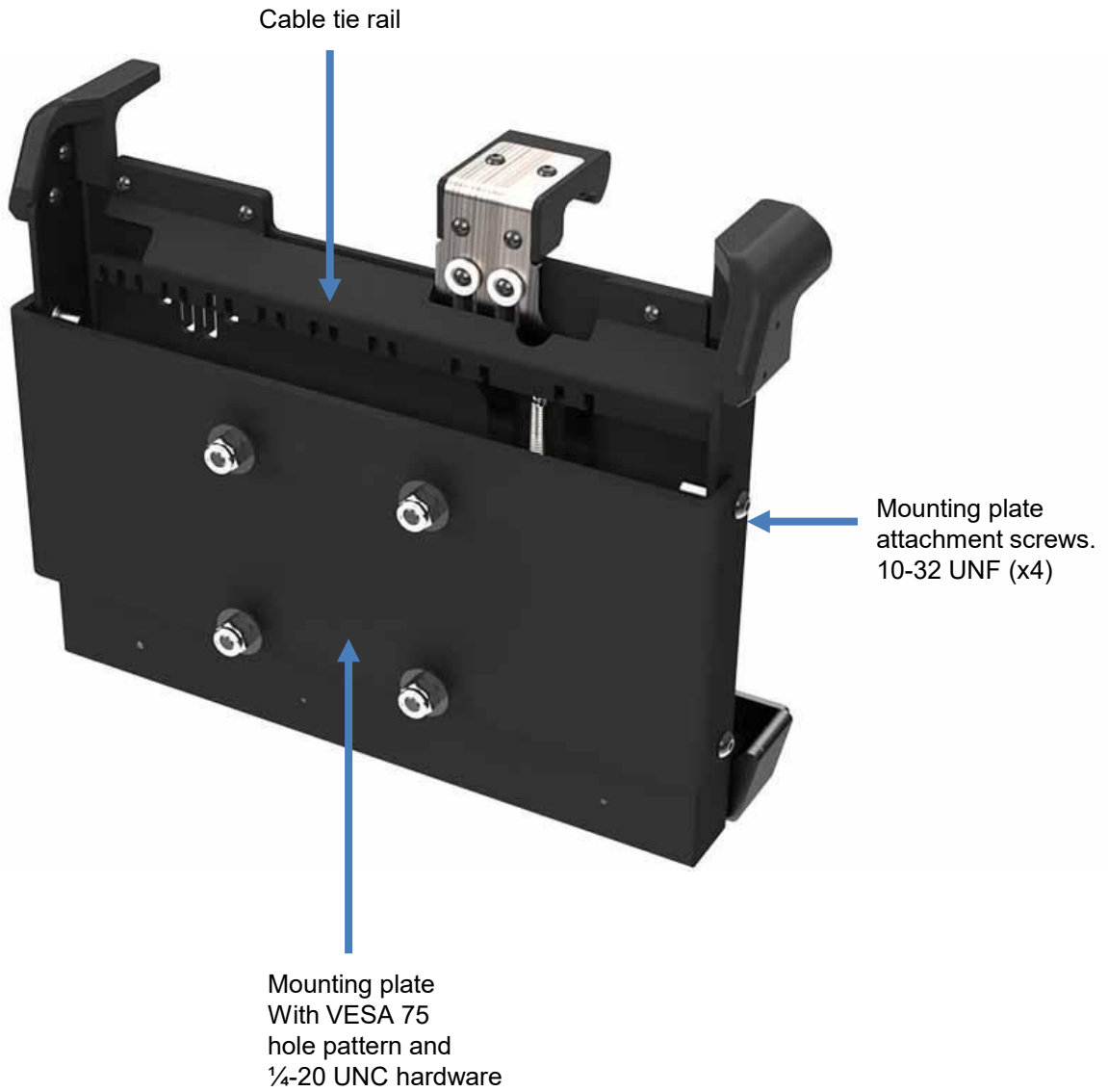
Precision Mounting Technologies Ltd (PMT) are not liable under any theory of contract or tort law for any loss, damage, personal injury, special, incidental or consequential damages for personal injury or other damage of any nature arising directly or indirectly as a result of the improper installation or use of its products in vehicle or any other application. In order to safely install and use PMT products full consideration of vehicle occupants, vehicle systems (i.e., the location of fuel lines, brake lines, electrical, drive train or other systems), air-bags and other safety equipment is required. PMT specifically disclaims any responsibility for the improper use or installation of its products not consistent with original vehicle manufactures' specifications and recommendations, PMT product instruction sheets, or workmanship standards as endorsed through PMT policies and EULA.



DESCRIPTION OF PARTS



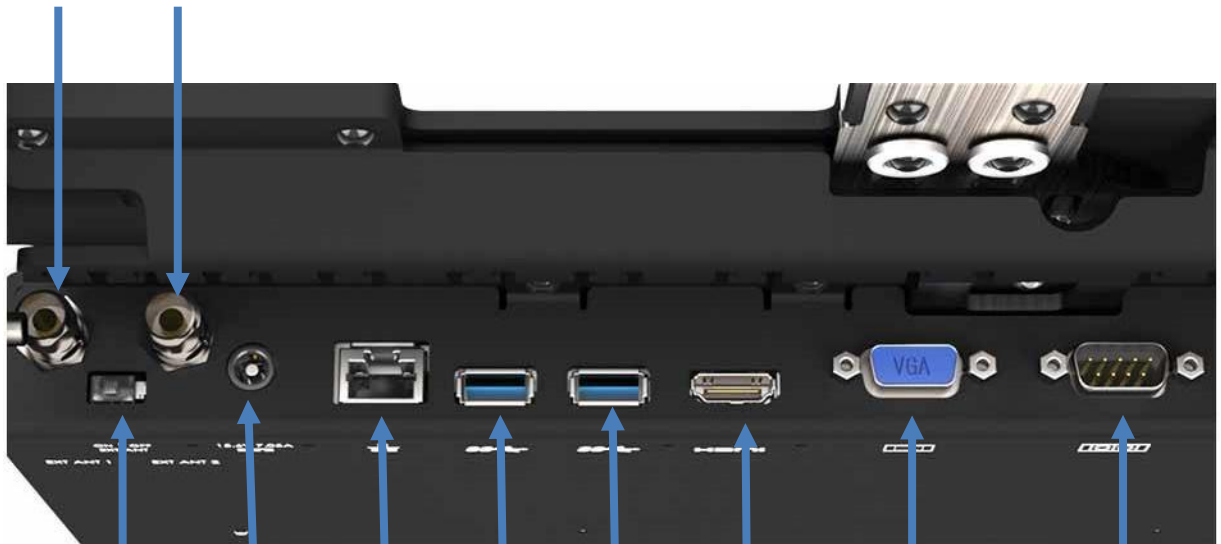
DESCRIPTION OF PARTS



PORT IDENTIFICATION

RF Pass thru connectors (optional) (TNC)

EXT
ANT 1 EXT
ANT 2



Antennae switch
- Switch should be towards
outboard side of dock when
using external RF antennas
connected to dock

Power in
15 Vdc

Ethernet RJ45
10/100M bps

USB 3.2 (x2)

HDMI
(not present
on "lite" docks)

VGA
(not present
on "lite" docks)

Serial
RS-232

INSTALLATION INSTRUCTIONS

Step 1

Remove mounting plate from dock.



Step 2

Install mounting plate onto mounting location via the VESA 75 interface and the provided hardware.



Step 3

Connect all required wiring to the dock while utilizing plastic tie straps and the cable tie rail to secure cables/connections. Note that the cable tie rail extends near the USB ports for extra support. In the case extra thick cables or devices are used this area of the bracket can be bent back to allow for clearance and proper support without stressing the USB port or device.



Support plate bent in (before inserting USB device/cable)

Step 4

Attach dock to mounting plate using the 4x 10-32 UNF button head screws provided



INSTALLATION INSTRUCTIONS

Docking the Tablet

Step 1

Ensure lock is in the unlocked position



Step 2

Place tablet bottom edge first against the docking connector

Step 3

Push the middle of the tablet against the top clamp and back towards the dock. Ensure that the Top Clamp fully drops down over the front face of the tablet once in position. If excessive force is required, stop and check alignment and ensure dock is unlocked.

*Avoid holding the tablet in the top corners while docking to prevent potential pinch point with corner ears.



Step 4

For additional security and theft deterrence, insert key and rotate lock to the locked position as shown.



INSTALLATION INSTRUCTIONS

Un-docking the Tablet

Step 1

If previously locked, insert key and rotate lock to the unlocked position.



Step 2

Using your thumb, push Top Clamp up then pull the top of the tablet away from the dock.



Step 3

Once clear of the Top Clamp, lift the tablet out and away from the dock.



Regulatory model: AS7.P201.102

Certifications and test standards:

EN ISO / IEC 17050-1:2004

CSA C22.2 NO. 62368-1

UL 62368-1

ICES-003(A) / CISPR 32 / EN 50498

ISO 10605

MIL-STD-810G:CHG1

RoHS(2011/65/EU)

Made in Canada

This device complies with Part 15 of the FCC Rules. Operation is subject to the following two conditions. (1) this device may not cause harmful interference, and (2) this device must accept any interference received, including interference that may cause undesired operation.

