



PMT KEYBOARD CRADLE FOR GJ RUGGED LITE INSTALLATION GUIDE

Description	Part Number
CRADLE FOR GAMBER-JOHNSON RUGGED LITE KEYBOARD	AS7.T004.026

Product Mounting Disclaimer

Precision Mounting Technologies Ltd (PMT) are not liable under any theory of contract or tort law for any loss, damage, personal injury, special, incidental or consequential damages for personal injury or other damage of any nature arising directly or indirectly as a result of the improper installation or use of its products in vehicle or any other application. In order to safely install and use PMT products full consideration of vehicle occupants, vehicle systems (i.e., the location of fuel lines, brake lines, electrical, drive train or other systems), air-bags and other safety equipment is required. PMT specifically disclaims any responsibility for the improper use or installation of its products not consistent with original vehicle manufactures' specifications and recommendations, PMT product instruction sheets, or workmanship standards as endorsed through PMT policies and EULA.

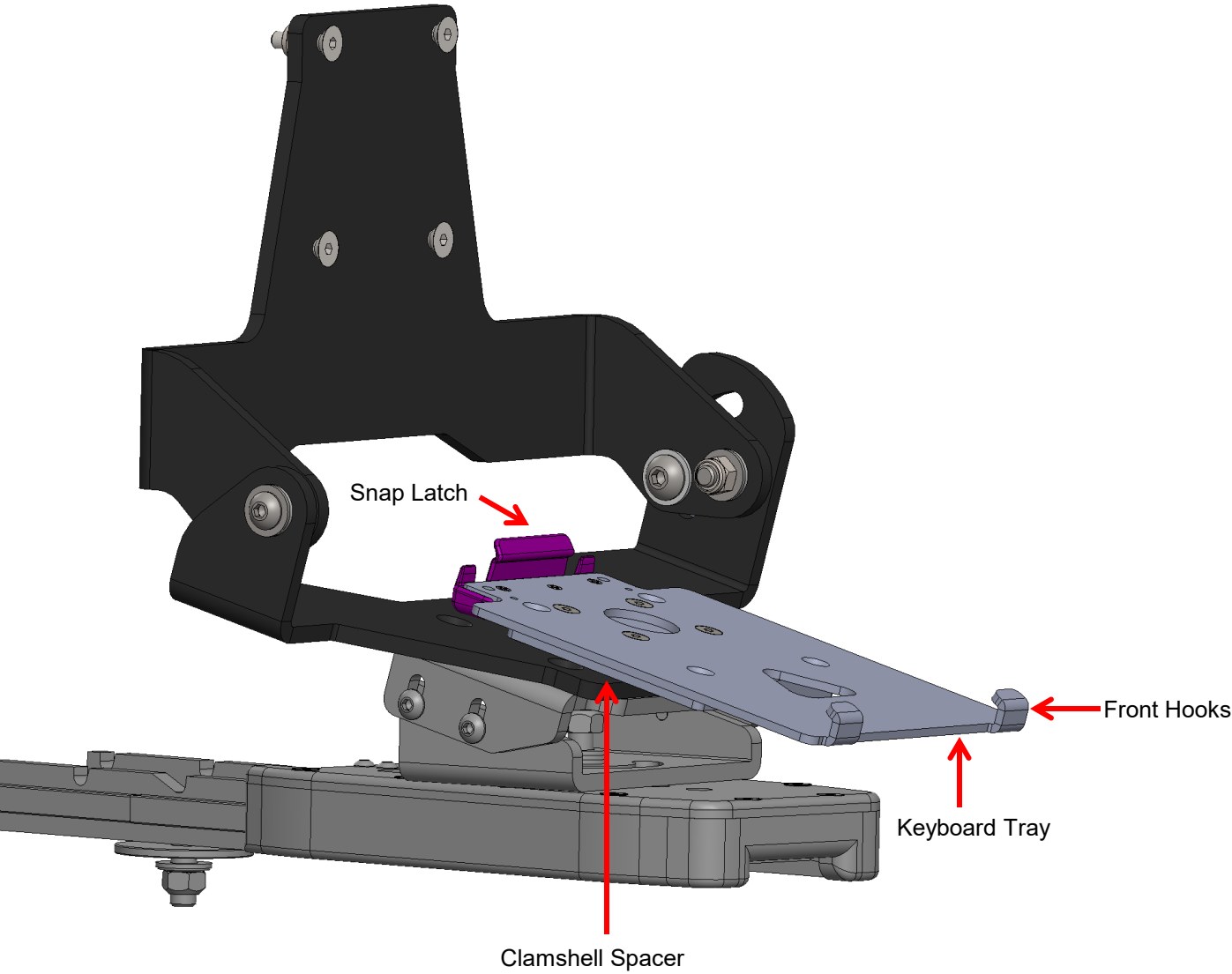


PRODUCT VISUALS



GJ Rugged Lite Keyboard and cradle installed with PMT Clamshell and Docking Station

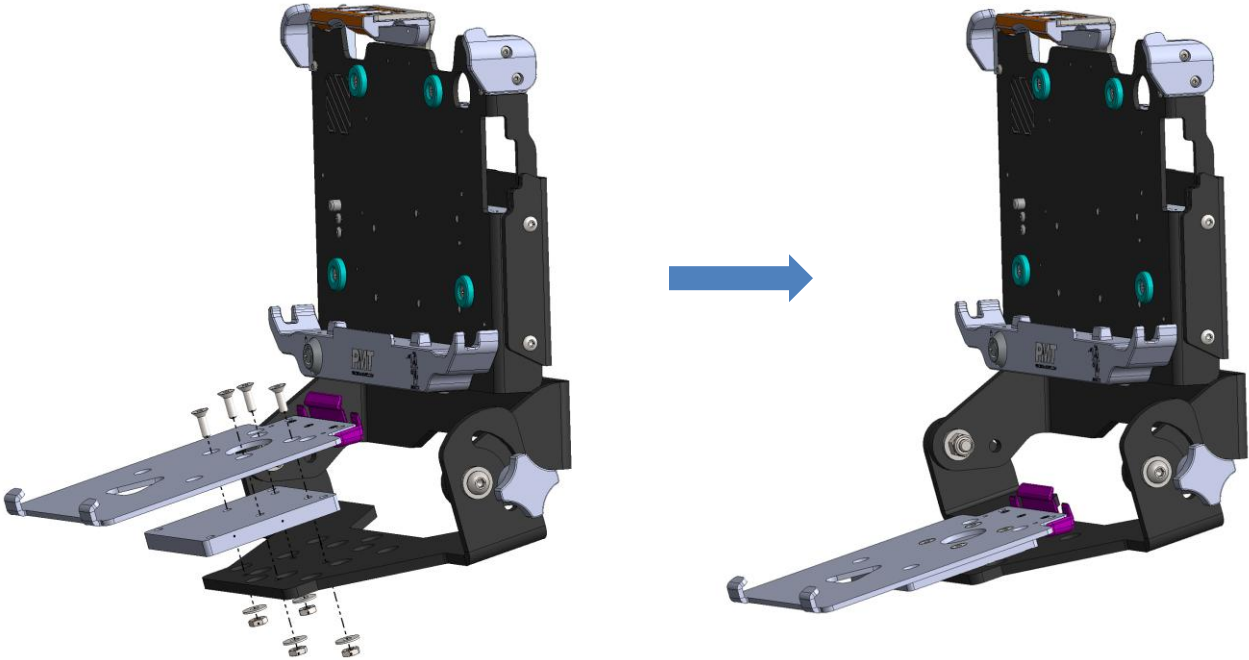
DESCRIPTION OF PARTS



INSTALLATION INSTRUCTIONS

Step 1

Align the spacer with the clamshell, then place the keyboard tray over the spacer and secure using supplied hardware to complete the assembly.



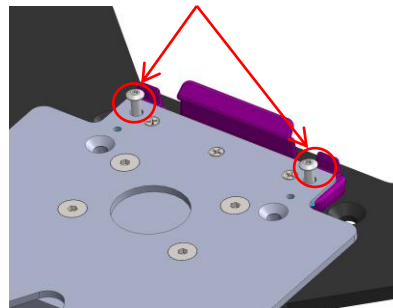
Step 2

Align keyboard front pockets into the front hooks to guide the keyboard into place and push down until the blue latch snaps over the rear pocket of the keyboard.



Note:

For permanently attaching the keyboard to the cradle, use the supplied two (2) 6-32 × 1/2" button head screws.



End of Installation.