



PMT DISPLAY SCREEN PHONE MOUNT PLATE INSTALLATION GUIDE

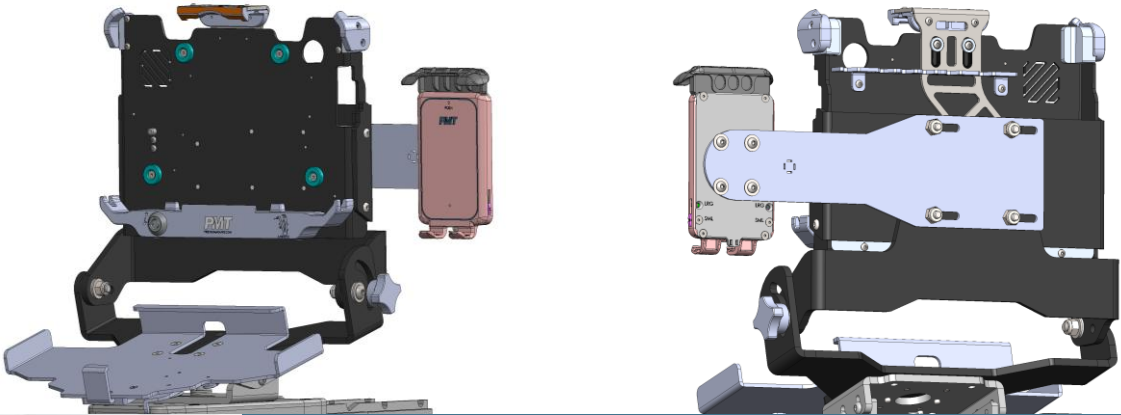
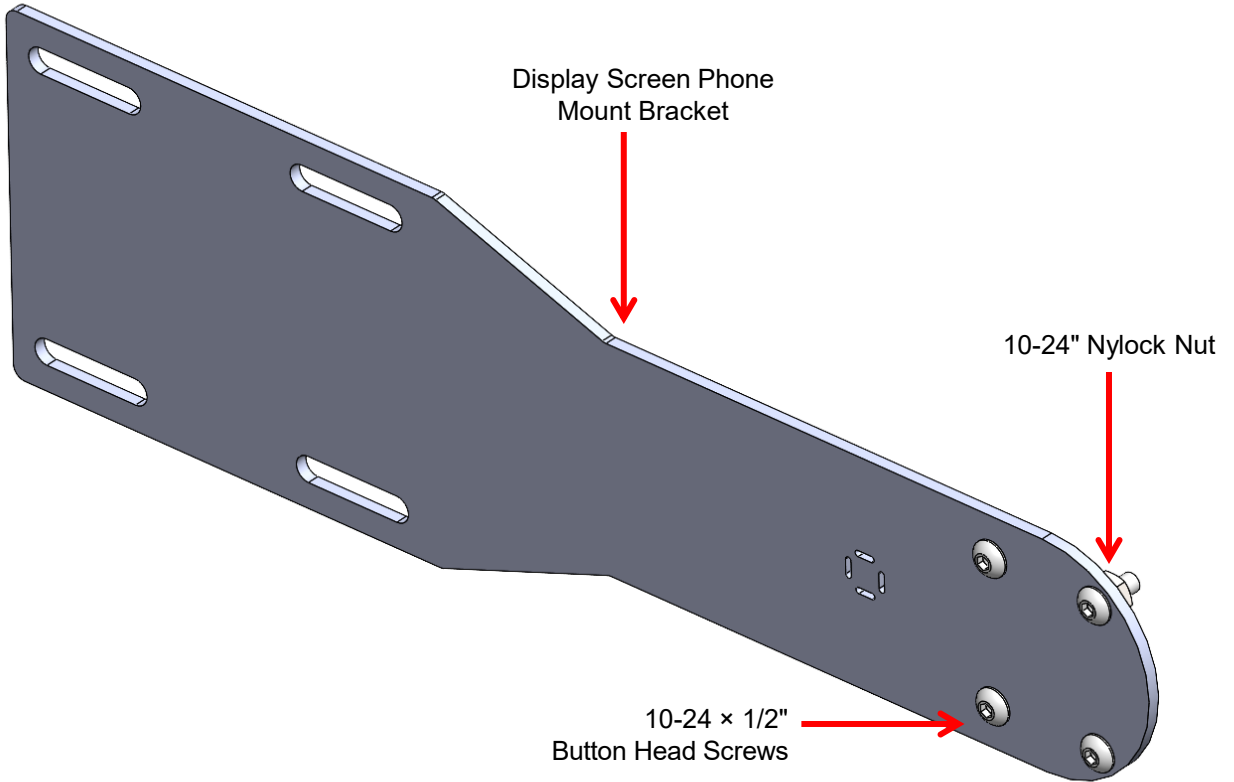
| Description | Part Number |
|----------------------------------|--------------|
| DISPLAY SCREEN PHONE MOUNT PLATE | AS7.U050.012 |

Product Mounting Disclaimer

Precision Mounting Technologies Ltd (PMT) are not liable under any theory of contract or tort law for any loss, damage, personal injury, special, incidental or consequential damages for personal injury or other damage of any nature arising directly or indirectly as a result of the improper installation or use of its products in vehicle or any other application. In order to safely install and use PMT products full consideration of vehicle occupants, vehicle systems (i.e., the location of fuel lines, brake lines, electrical, drive train or other systems), air-bags and other safety equipment is required. PMT specifically disclaims any responsibility for the improper use or installation of its products not consistent with original vehicle manufactures' specifications and recommendations, PMT product instruction sheets, or workmanship standards as endorsed through PMT policies and EULA.



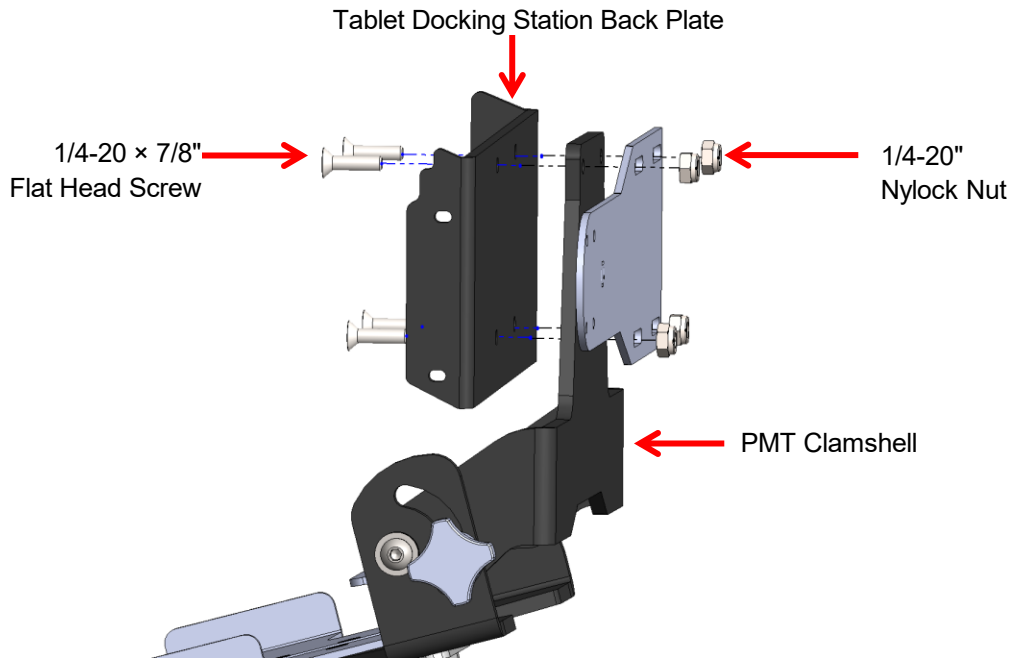
DESCRIPTION OF PARTS



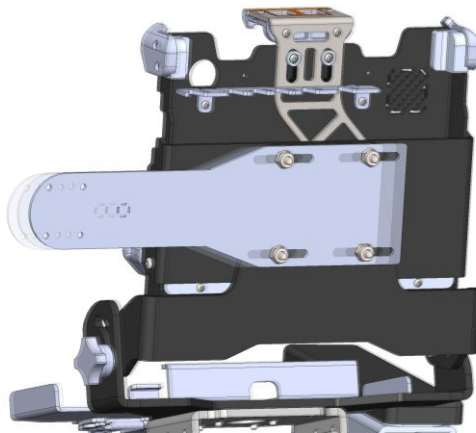
INSTALLATION INSTRUCTIONS

Step 1

Position the Display Screen Phone Mount Plate at the rear of the clamshell. Sandwich the clamshell between the mount plate and the docking station backplate, then secure using 1/4-20 × 7/8" flat head screws.



Note: Slotted mounting holes are adjustable as required to achieve the desired position and orientation

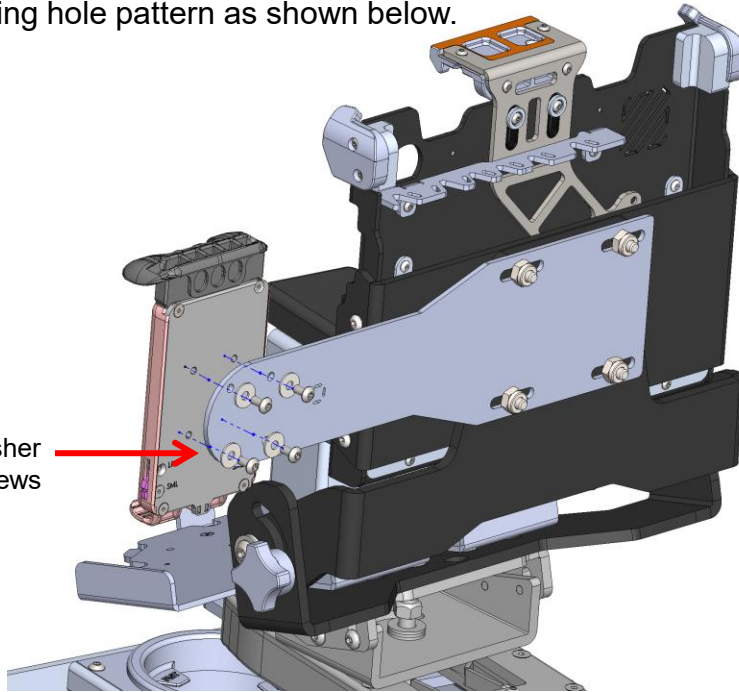


INSTALLATION INSTRUCTIONS

Step 2

Attach the phone cradle or any AMPS compatible mount such as Zirkona solutions, to the mounting hole pattern as shown below.

10 × 1/2 Steel Washer
10-24 × 3/8 Button Head Screws



End of Installation.

Photos below show different mounting configuration using the Display Screen Phone Mount Plate with Zirkona solutions.

