



## PMT CONSOLE MOUNTING KIT INSTALLATION GUIDE

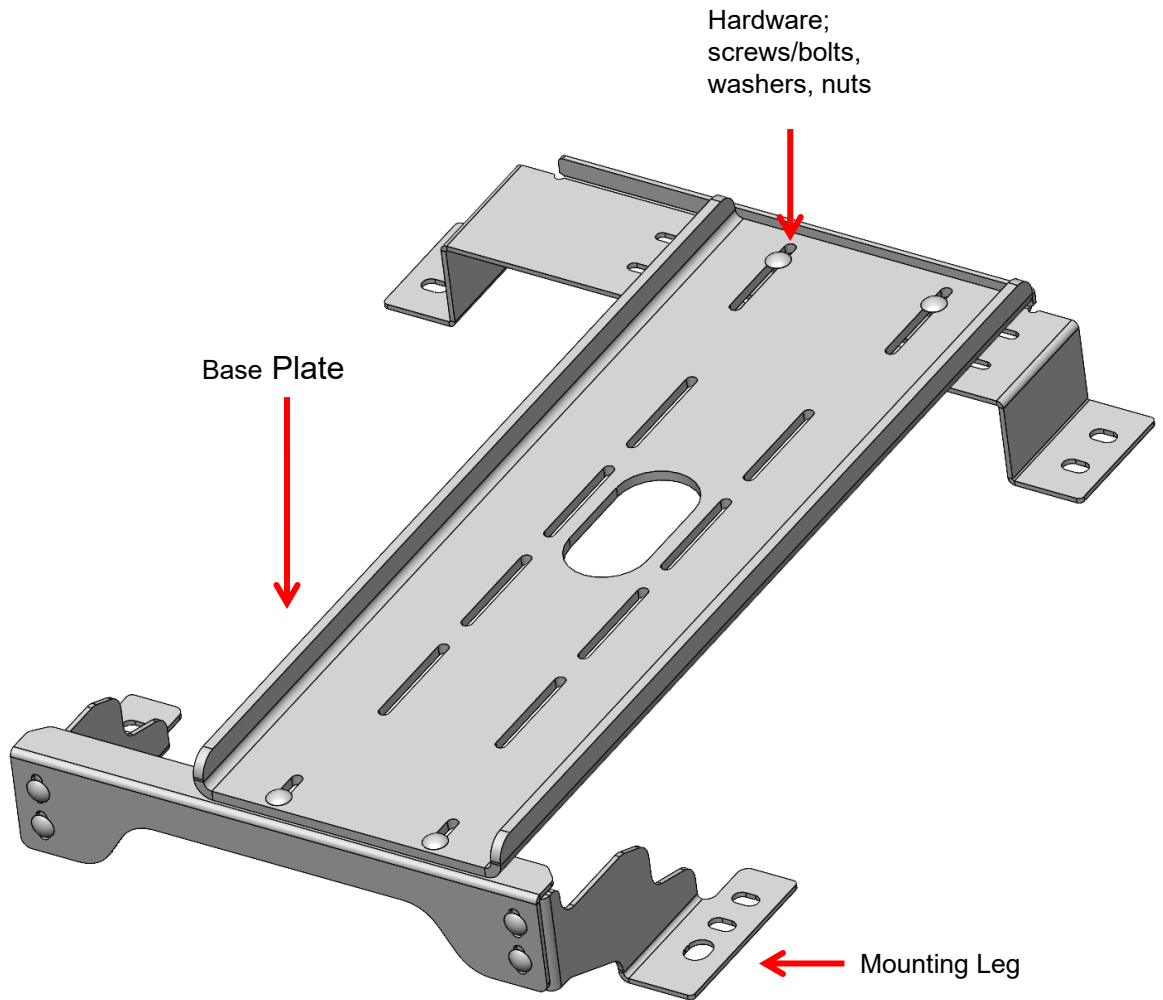
Description	Part Number
2008-2014 CHEVROLET TAHOE/SUBURBAN AND 2008-2013 SILVERADO 1500 CONSOLE MOUNTING KIT	AS4.R116.006
2011-2016 FORD F-250 CONSOLE MOUNTING KIT	AS4.R119.001
2011+ DODGE RAM HD / 2011-2018 (& 2019-2020 CLASSIC BODY STYLE) DODGE RAM 1500 MOUNTING KIT	AS4.R120.006
2015+ FORD TRANSIT CONSOLE MOUNTING KIT	AS4.R127.001

### Product Mounting Disclaimer

Precision Mounting Technologies Ltd (PMT) are not liable under any theory of contract or tort law for any loss, damage, personal injury, special, incidental or consequential damages for personal injury or other damage of any nature arising directly or indirectly as a result of the improper installation or use of its products in vehicle or any other application. In order to safely install and use PMT products full consideration of vehicle occupants, vehicle systems (i.e., the location of fuel lines, brake lines, electrical, drive train or other systems), air-bags and other safety equipment is required. PMT specifically disclaims any responsibility for the improper use or installation of its products not consistent with original vehicle manufactures' specifications and recommendations, PMT product instruction sheets, or workmanship standards as endorsed through PMT policies and EULA.



# DESCRIPTION OF PARTS

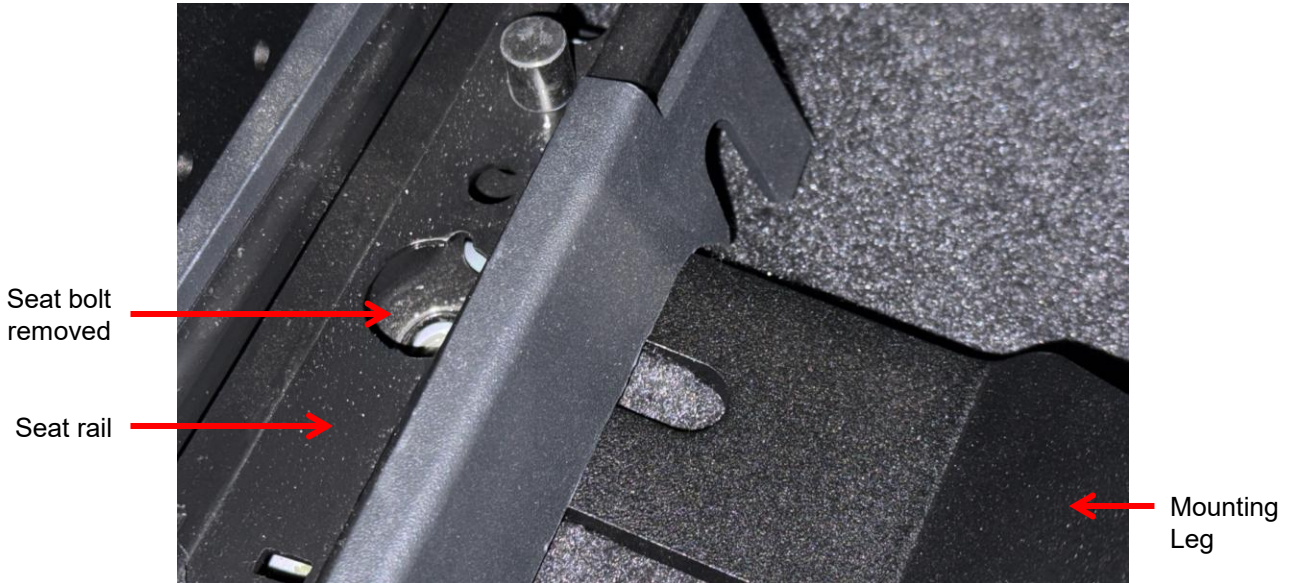


# INSTALLATION INSTRUCTIONS

## Step 1

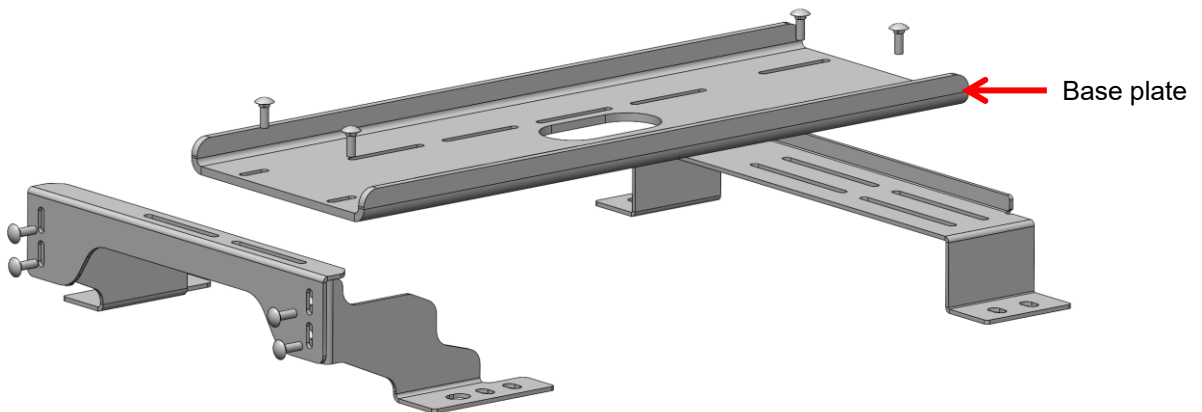
Loosen (or remove as required) the seat bolts. Lift the seat slightly and slide the mounting leg between the seat rail and vehicle floor.

Loosely tighten the seat bolts at this stage, final tighten and torque in Step 4.



## Step 2

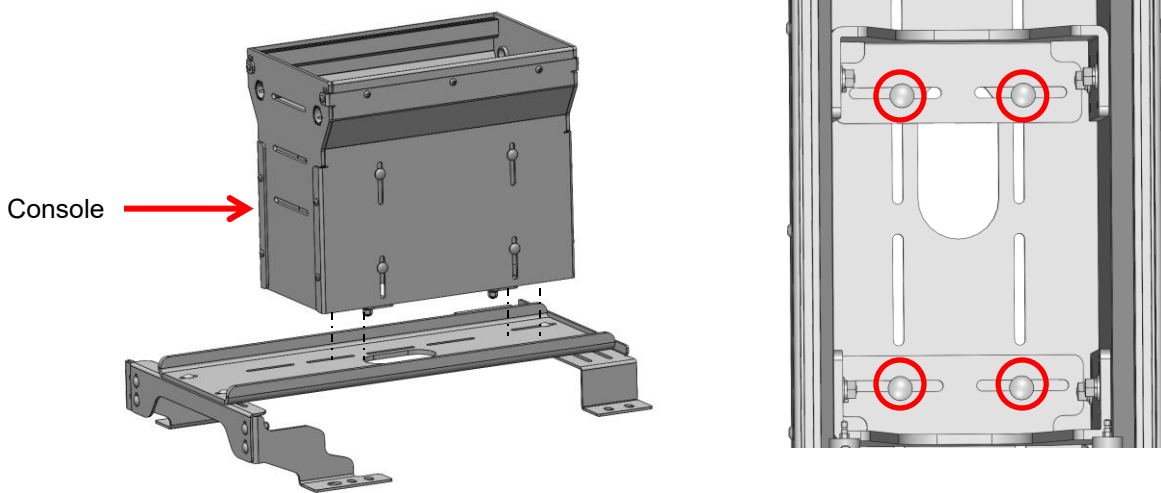
Position the Base Plate onto the mounting legs, aligning slots for optimal positioning. Insert and loosely tighten supplied hardware to fix the base plate onto the mounting legs, do not fully tighten at this stage.



# INSTALLATION INSTRUCTIONS

## Step 3

Align the console box over the base plate, insert and loosely tighten hardware (screws, washers and nuts), do not fully tighten at this stage.



## Step 4

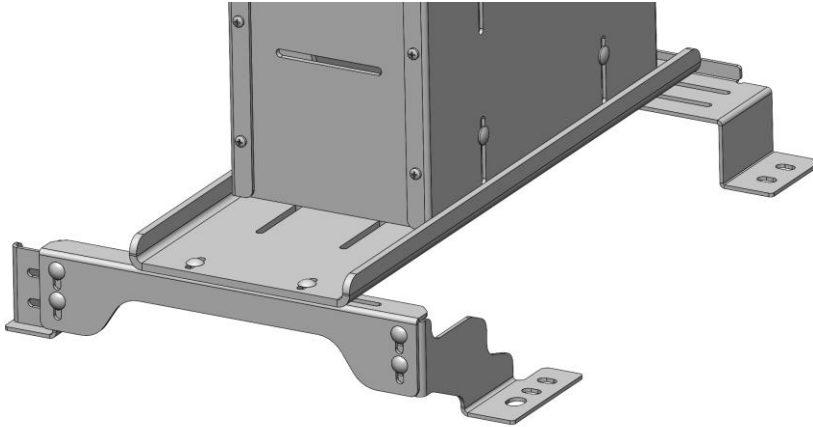
Ensure all PMT console mounting components are aligned and in place, fully tighten seat bolts back in position making sure to follow vehicle manufacturer bolt torque specifications.



# INSTALLATION INSTRUCTIONS

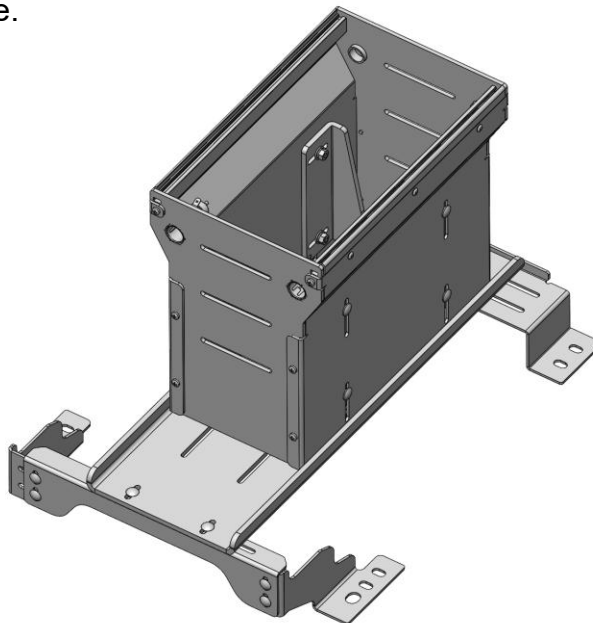
## Step 5

Ensure base plate is optimally positioned and aligned, fully tighten hardware to fix in place onto mounting legs.



## Step 6

Align console and position for optimal use, fully tighten hardware to fix console in place onto base plate.



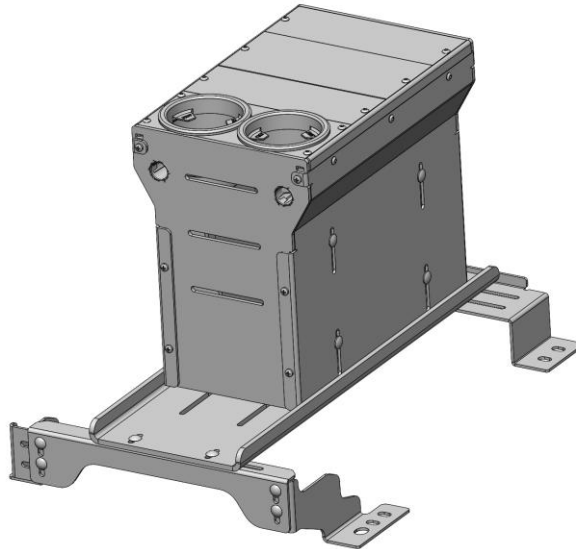
## Step 7

Go back over all hardware to ensure everything is fully tightened and torqued correctly.

# INSTALLATION INSTRUCTIONS

## Step 8

Attach and install any and all console equipment such as armrests, cupholders, faceplates, blanks etc.



## Tip

PMT consoles use a “floating nut” style rail for attaching face plates to the console. In the consoles that have angled rails, foam inserts are used to help position the nuts for easier alignment with the face plates mounting screws. Use an Allen (hex) key to position the foam and nut where desired, then mount the face plate.



End of Installation.

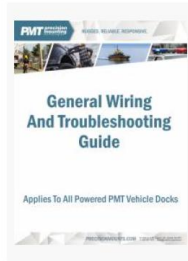
# INSTALLATION INSTRUCTIONS

Helpful Tip: See 'PMT Face Plate Installation Guide' on PMT website at <https://www.precisionmounts.com/> under **Support > Product Information > Reference Guides** <https://www.precisionmounts.com/product-information>

## Reference Guides



Faceplates Listing  
PDF



General Wiring And  
Troubleshooting Guide  
PDF



PMT Face Plate Installation  
Guide  
PDF - PMT Face Plate  
Installation Guide