



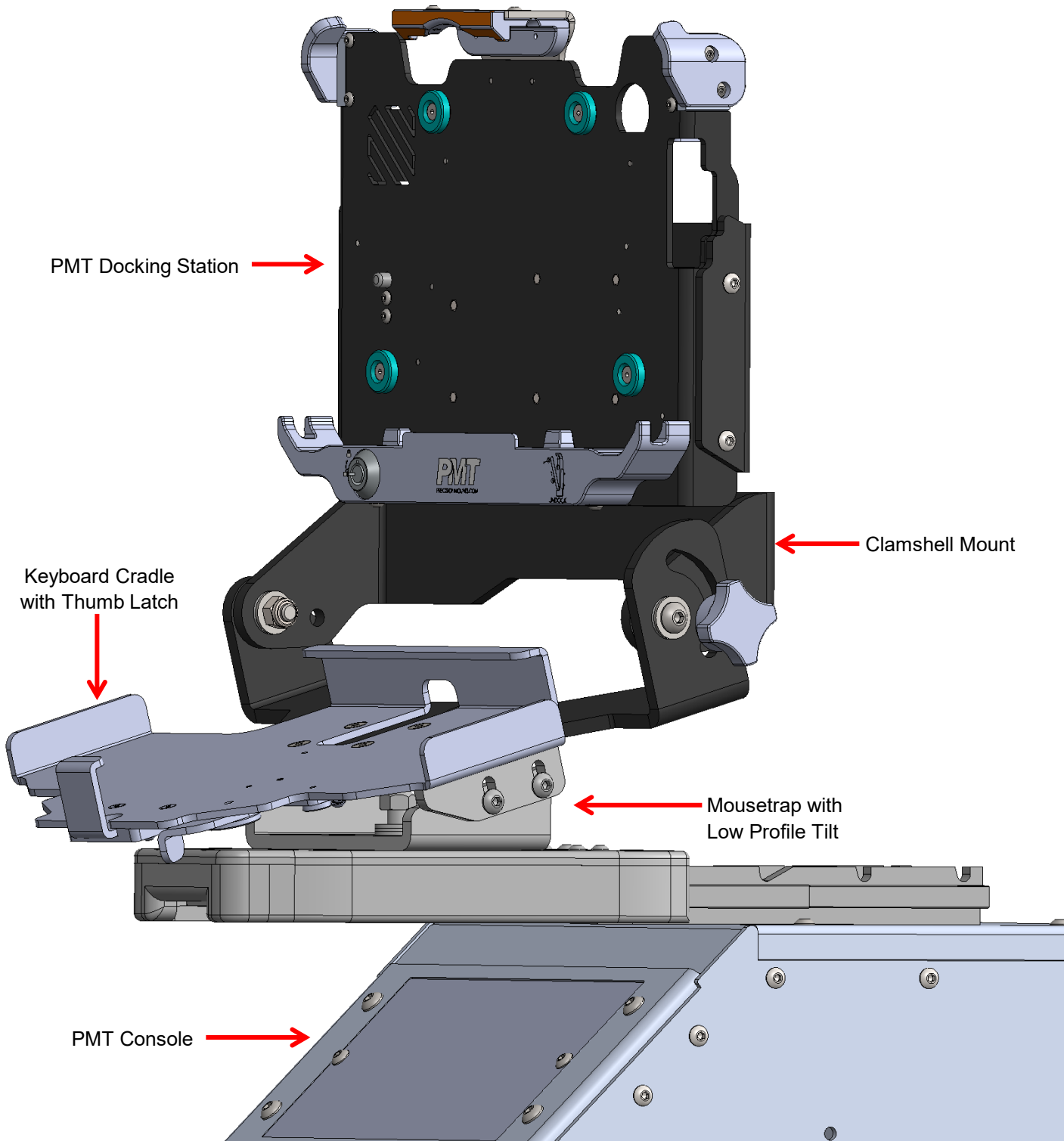
# PMT CLAMSHELL DOCKING STATION AND KEYBOARD SETUP INSTALLATION GUIDE

## Product Mounting Disclaimer

Precision Mounting Technologies Ltd (PMT) are not liable under any theory of contract or tort law for any loss, damage, personal injury, special, incidental or consequential damages for personal injury or other damage of any nature arising directly or indirectly as a result of the improper installation or use of its products in vehicle or any other application. In order to safely install and use PMT products full consideration of vehicle occupants, vehicle systems (i.e., the location of fuel lines, brake lines, electrical, drive train or other systems), air-bags and other safety equipment is required. PMT specifically disclaims any responsibility for the improper use or installation of its products not consistent with original vehicle manufactures' specifications and recommendations, PMT product instruction sheets, or workmanship standards as endorsed through PMT policies and EULA.



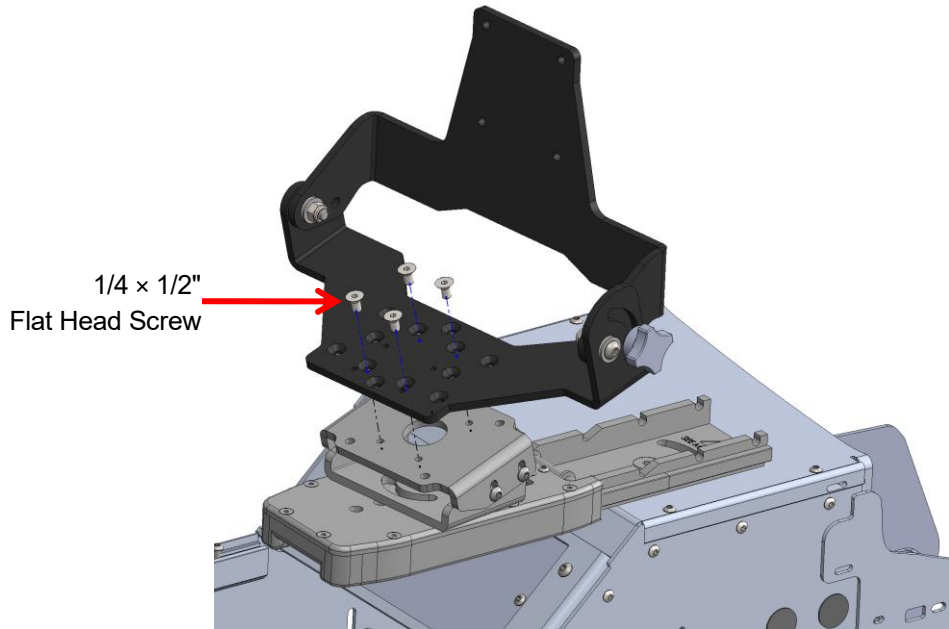
# DESCRIPTION OF PARTS



# INSTALLATION INSTRUCTIONS

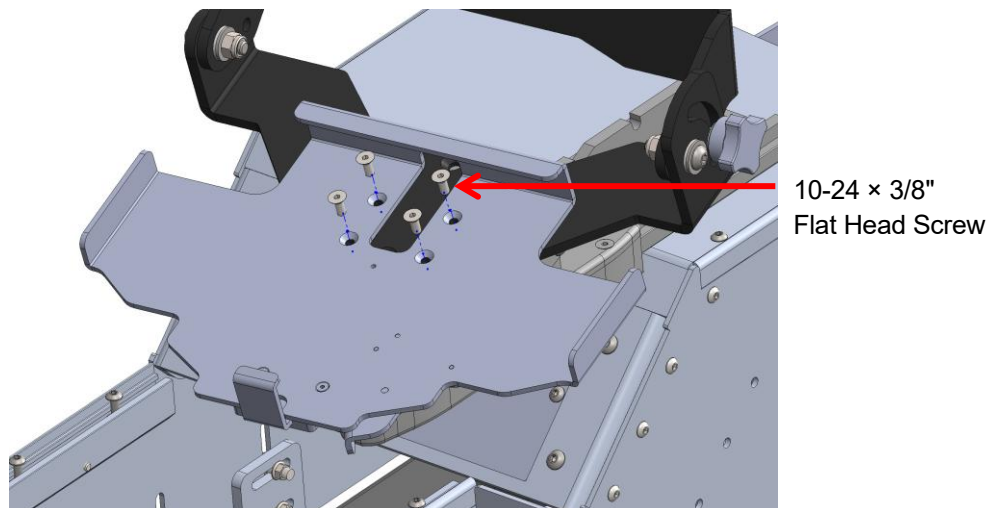
## Step 1

Secure the clamshell mount to the tilt using suitable hardware.



## Step 2

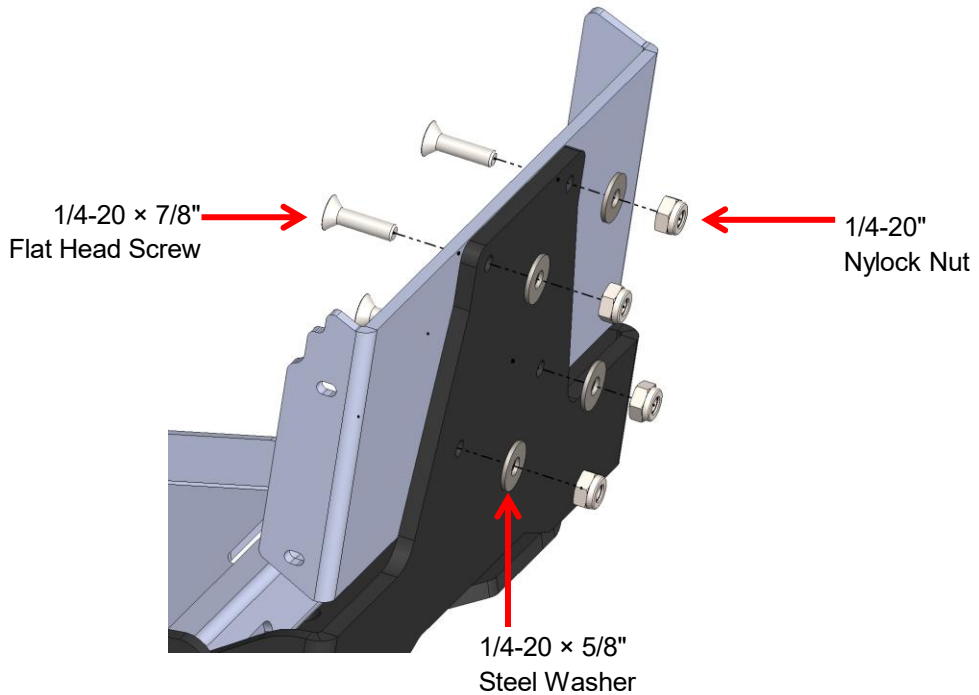
Attach the keyboard tray to the clamshell using four (4) 10-24 x 3/8" flat head screws.



# INSTALLATION INSTRUCTIONS

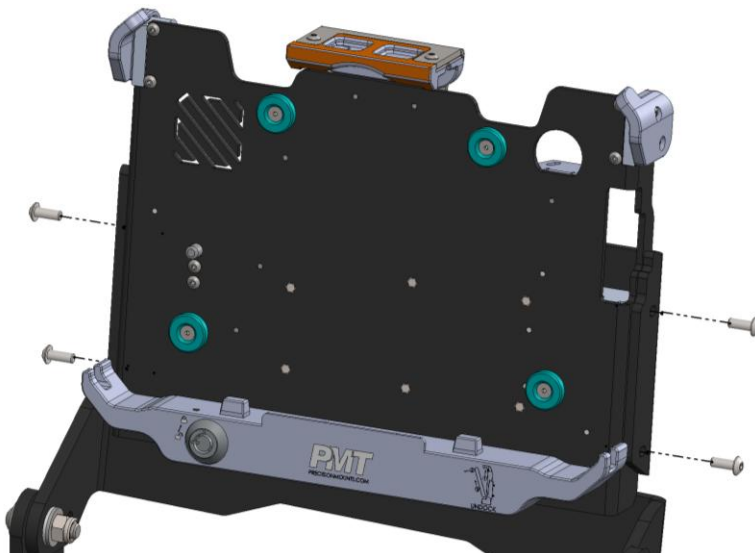
## Step 3

Install the backplate to the clamshell using 1/4-20 × 7/8" flat head screws.



## Step 4

Align the PMT Docking Station with the backplate and secure using four (4) supplied hardware.



End of Installation.