



# 2021-2024 CHEVROLET TAHOE RADIO DASH MOUNT WITH SIREN BASE USER GUIDE

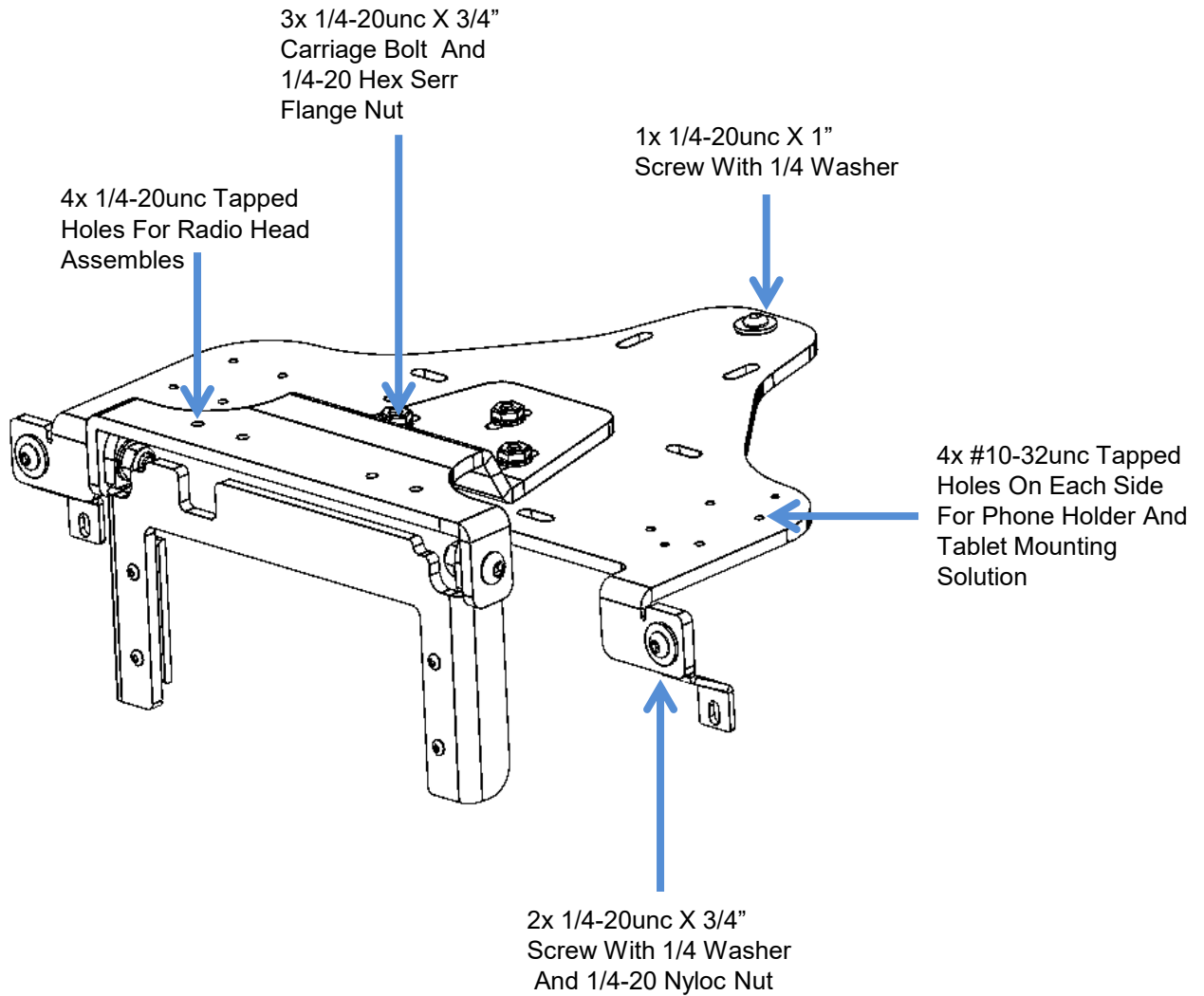
Description	Part Number
2021-2024 CHEVROLET TAHOE DASH MOUNT BASE	AS4.C235.40X

#### Product Mounting Disclaimer

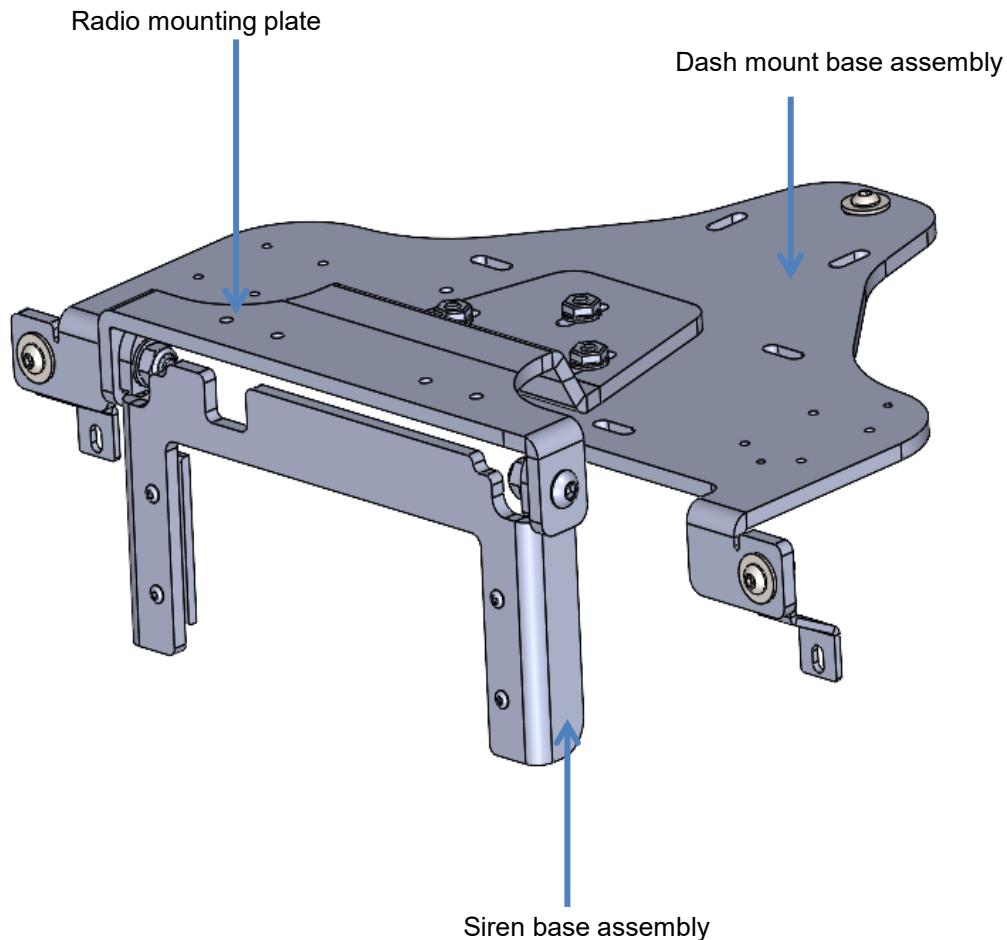
Precision Mounting Technologies Ltd (PMT) are not liable under any theory of contract or tort law for any loss, damage, personal injury, special, incidental or consequential damages for personal injury or other damage of any nature arising directly or indirectly as a result of the improper installation or use of its products in vehicle or any other application. In order to safely install and use PMT products full consideration of vehicle occupants, vehicle systems (i.e., the location of fuel lines, brake lines, electrical, drive train or other systems), air-bags and other safety equipment is required. PMT specifically disclaims any responsibility for the improper use or installation of its products not consistent with original vehicle manufactures' specifications and recommendations, PMT product instruction sheets, or workmanship standards as endorsed through PMT policies and EULA.



# DESCRIPTION OF PARTS



# DESCRIPTION OF PARTS



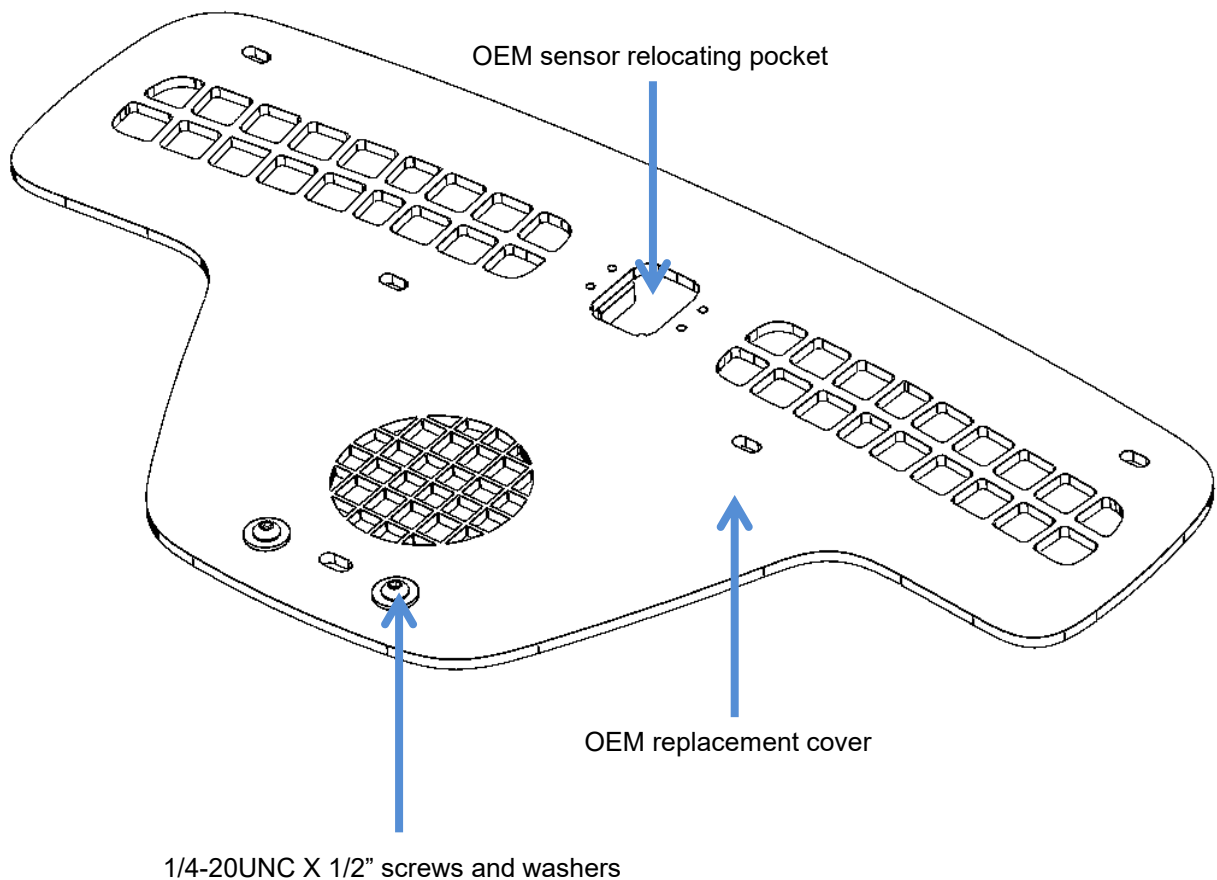
- **Dash Mount Base Assembly:** This assembly attaches to vehicle dash over the trim panel of vehicle dash.
  - **Siren Base Assembly:** It may look different depends on the model of siren controller
- \*“Radio only” option also available (AS4.C235.401)

# DESCRIPTION OF PARTS

## (OPTIONAL)

2021+ Tahoe dash mount OEM replacement cover(AS4.C235.400-1) is used to replace the OEM trim panel on top of the dash in 2021+ Tahoe vehicle that are equipped with OEM center speaker on top of the dash. (Purchase separately)

**Used for installation steps 5.1, 6.1 and 6.2**



# INSTALLATION INSTRUCTIONS

## Tools required:

- Ø 3/8" Diameter drill
- 5/32" Hex Allen wrench
- 7/16" Wrench

## Step 1

Gently pry and remove the OEM trims beside the center screen



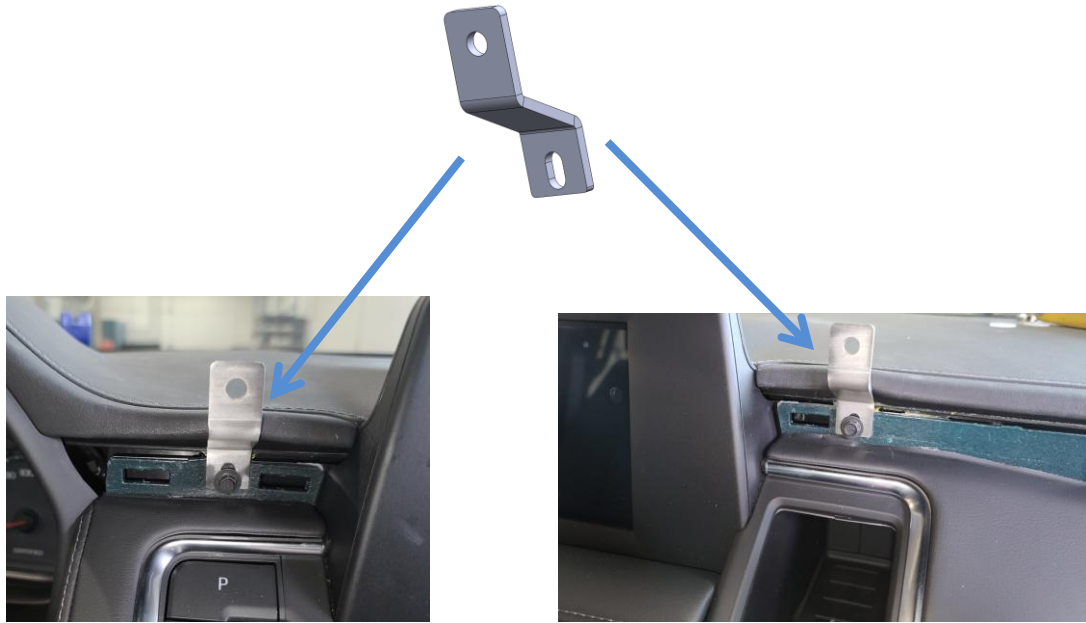
## Step 2

Remove the OEM Hex head bolts on both sides

# INSTALLATION INSTRUCTIONS

## Step 3

Attach the steel front supports with the OEM hex bolt



## Step 4

Re-install the OEM trim



# INSTALLATION INSTRUCTIONS

## Step 5

Gently pry and remove the top OEM cover

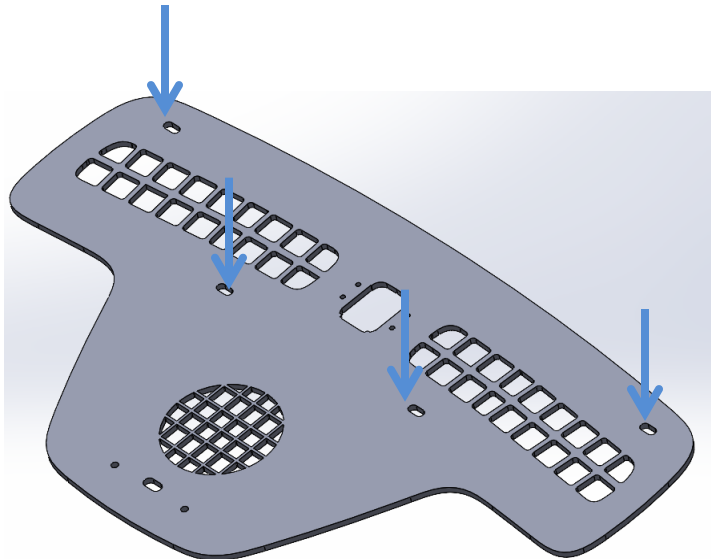


## Note

For Vehicle With OEM Center Speaker On Top Of The Dash, **Skip Steps 5,6,7,8** and See Step 5.1

## Step 5.1

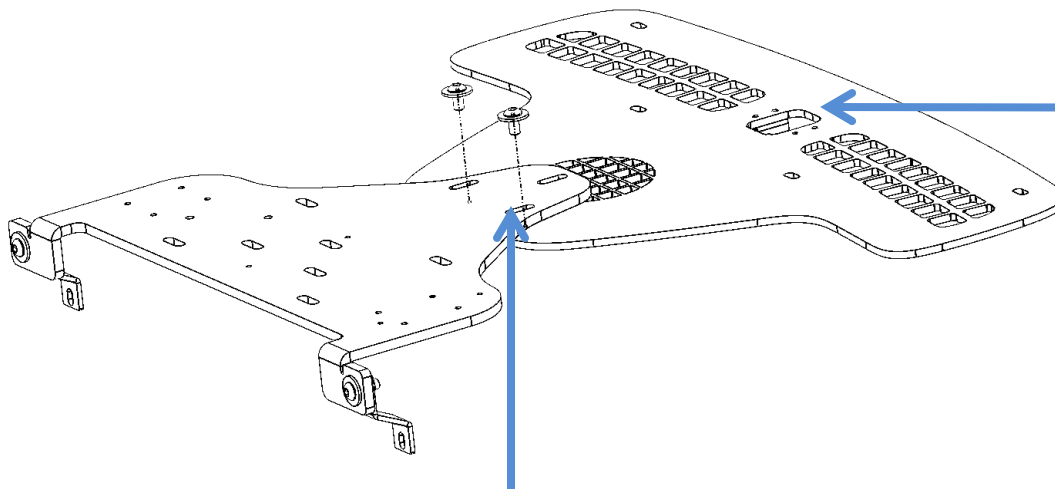
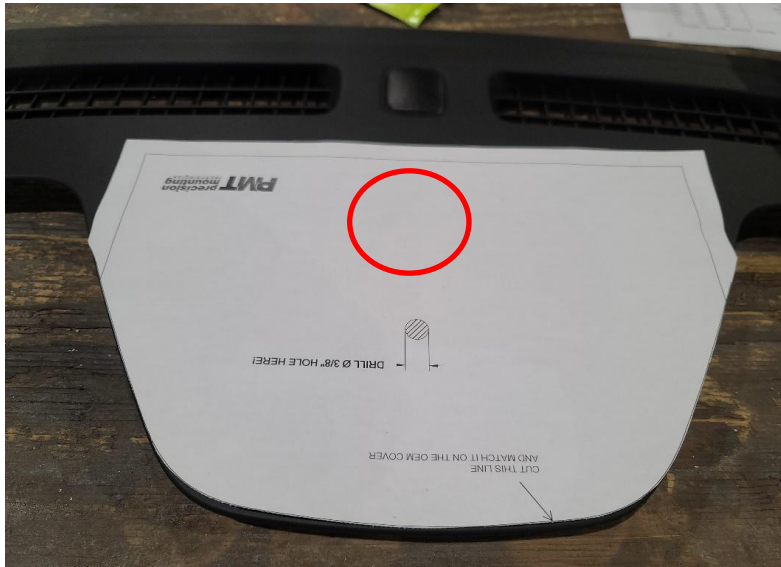
Remove four OEM screws, and place the cover on top. Re-attach the screws accordingly



# INSTALLATION INSTRUCTIONS

## Step 6 (SEE LAST PAGE TO PRINT THE DRILLING TEMPLATE)

Match the drilling template paper on top of the cover and the drill  $\varnothing$  3/8" hole



**Step 6.1**  
Relocate the OEM sensor into the relocating pocket

### Step 6.2

Place the dash mount base on top and use 2x 1/4-20UNC X 1/2" screws and washers from the hardware bag and tighten both the cover and dash mount base. Then go to step 9.1

# INSTALLATION INSTRUCTIONS

## Step 7

Remove the center hex bolt under the OEM cover and attach the “Dash mount rear support” underneath the plastic plate.



## Step 8

Re-install the center hex bolt that was removed on step 7 and make sure it is secured and tight.



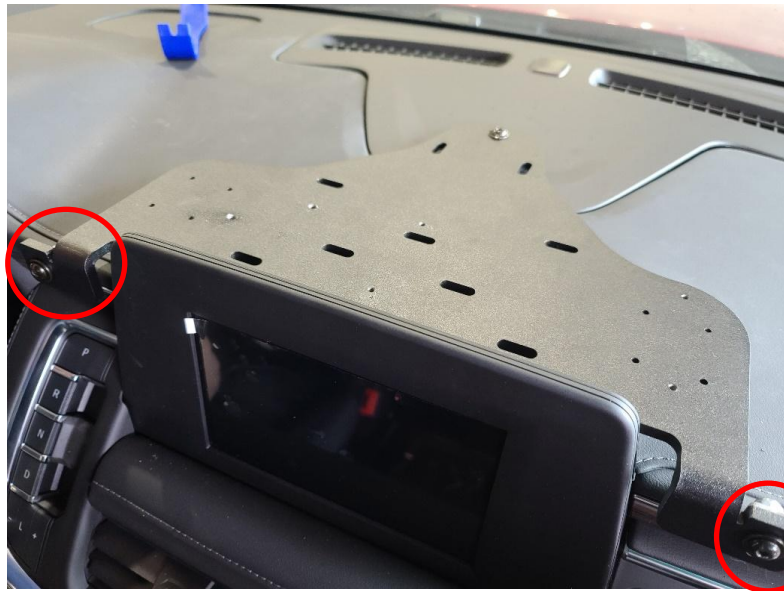
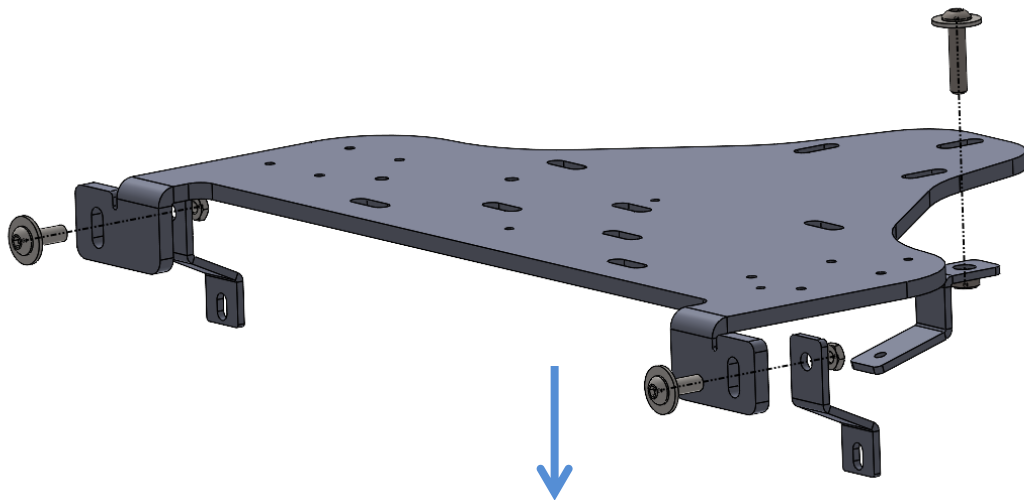
# INSTALLATION INSTRUCTIONS

## Step 9

Attach the Dash mount base assembly with one 1/4-20UNC x 1" screw in the back.

## Step 9.1

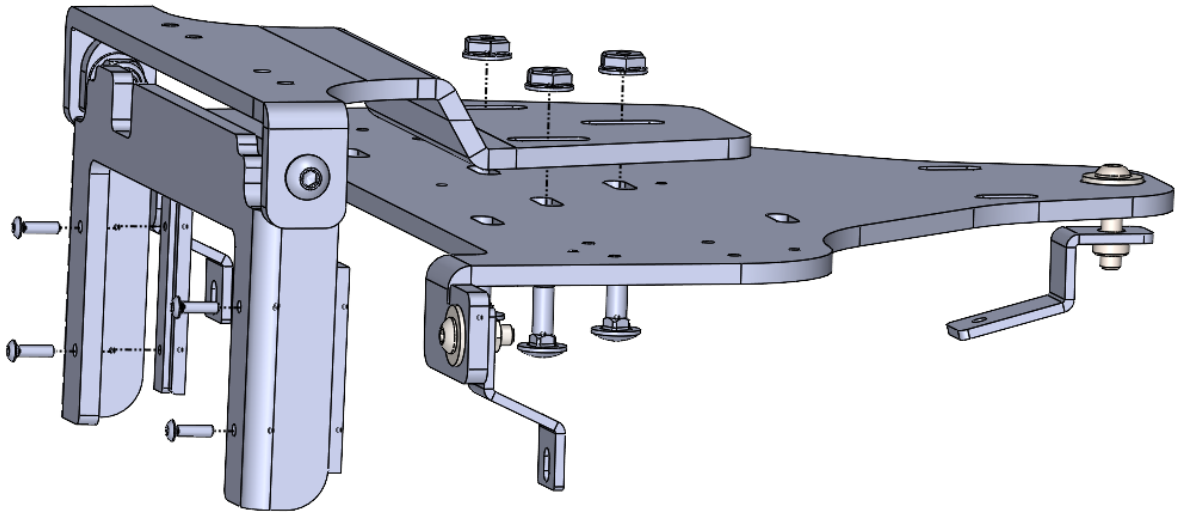
Use two 1/4-20UNC x 3/4" screw and 1/4-20 nyloc nut in the front. Make sure the base assembly is tight and secure



# INSTALLATION INSTRUCTIONS

## Step 10

Attach the radio mounting plate and Siren base assembly to the dash mount base assembly with three 1/4-20UNC x 3/4" carriage bolts and 1/4-20 hex serrated flange nuts.



## Step 11

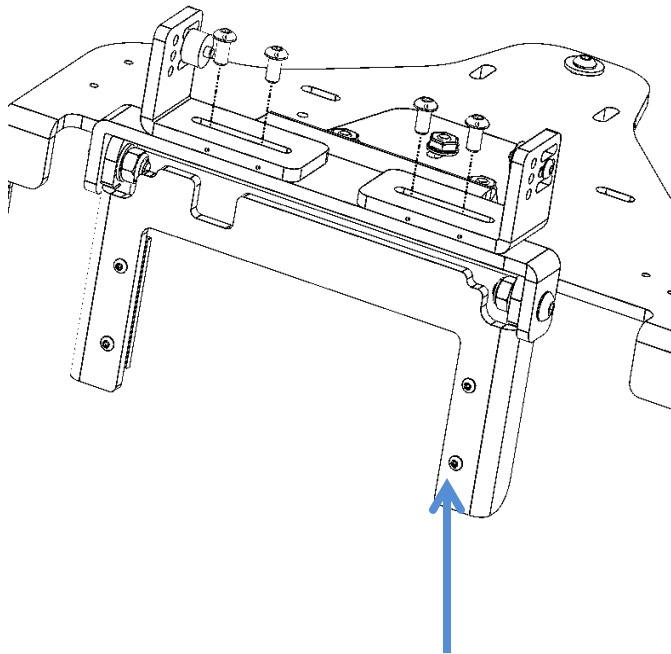
Attach the Siren controller to the bracket and secure it with screws provided in the assemblies



# INSTALLATION INSTRUCTIONS

## ADDITIONAL INSTALLATION OPTIONS

Different radio head assembly options available



SIREN BASE ASSEMBLY FOR DIFFERENT SIREN CONTROLLER  
\*(It may look different depends on the model of siren controller) \*

# INSTALLATION INSTRUCTIONS

## ADDITIONAL INSTALLATION OPTIONS

Phone holder option available.

Item shown is 'Screw Base Cell Phone Holder', part number 7160-0995-00



Light weight tablet mounting options available. Contact PMT sales for available options.

