



2021+ F-150 & 2017+ F-250/350/450/550 RADIO DASH MOUNT FOR XTL5000 USER GUIDE

Description	Part Number
2021+ F-150/F-250 RADIO DASH MOUNT BRACKET	40.C235.049
2021+ FORD F-150 RESPONDER AND 2023+ F-250 RADIO DASH MOUNT PLATE	40.C235.049-1
2021+ FORD F-150 RESPONDER AND 2023+ FORD F-250 RADIO DASH MOUNT PLATE LOW PROFILE	40.C235.049-2

Product Mounting Disclaimer

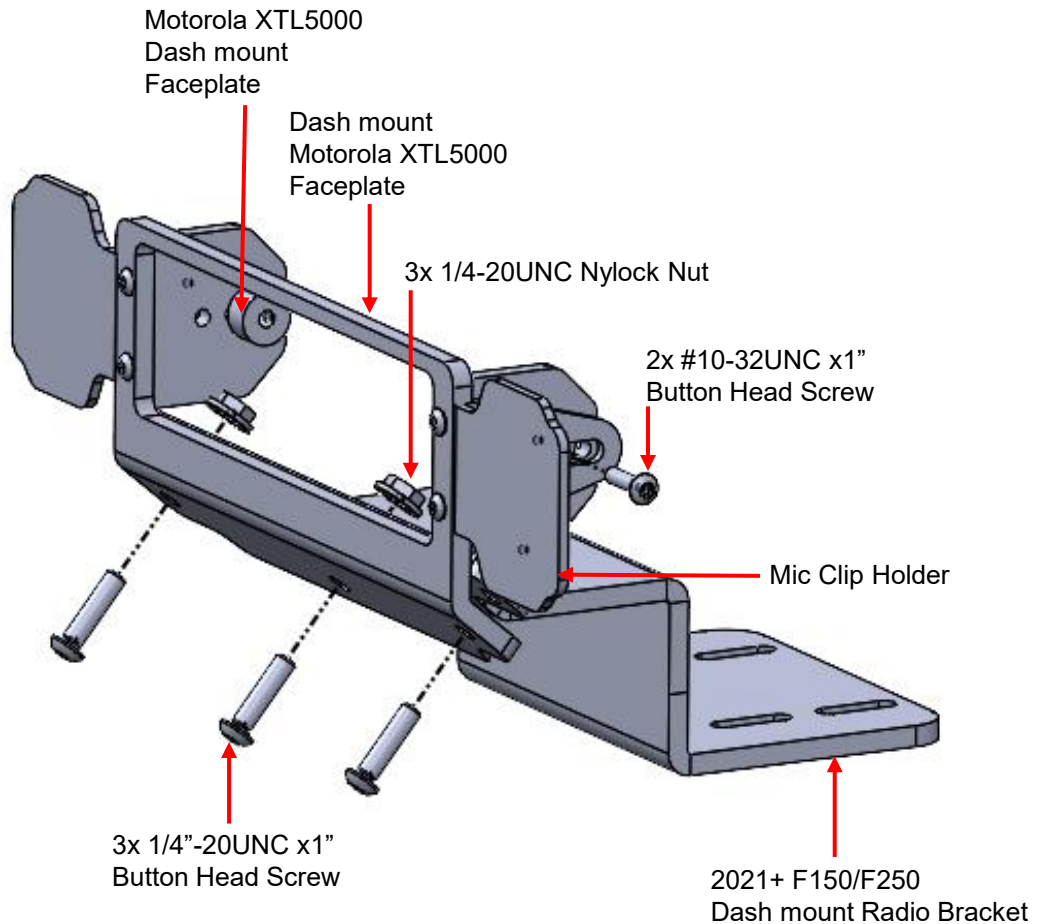
Precision Mounting Technologies Ltd (PMT) are not liable under any theory of contract or tort law for any loss, damage, personal injury, special, incidental or consequential damages for personal injury or other damage of any nature arising directly or indirectly as a result of the improper installation or use of its products in vehicle or any other application. In order to safely install and use PMT products full consideration of vehicle occupants, vehicle systems (i.e., the location of fuel lines, brake lines, electrical, drive train or other systems), air-bags and other safety equipment is required. PMT specifically disclaims any responsibility for the improper use or installation of its products not consistent with original vehicle manufactures' specifications and recommendations, PMT product instruction sheets, or workmanship standards as endorsed through PMT policies and EULA.



COMPATIBLE FACEPLATE OPTIONS

Description	Part Number
MOTOROLA XTL2500 DASH MOUNT FACEPLATE	AS4.C235.200
MOTOROLA XTL5000 DASH MOUNT FACEPLATE	AS4.C235.201
GE ORION DASH MOUNT FACEPLATE	AS4.C235.202
ASTRO DASH MOUNT FACEPLATE	AS4.C235.203
HARRIS M7300 DASH MOUNT FACEPLATE	AS4.C235.204
HARRIS M7100 DASH MOUNT FACEPLATE	AS4.C235.205
JOHNSON 5300 EF DASH MOUNT FACEPLATE	AS4.C235.206
CDMI250 DASH MOUNT FACEPLATE	AS4.C235.207
MACOM 7100 DASH MOUNT FACEPLATE	AS4.C235.208
PM400/CM300 DASH MOUNT FACEPLATE	AS4.C235.209
XPR4550 DASH MOUNT FACEPLATE	AS4.C235.210
KENWOOD NX-700 DASH MOUNT FACEPLATE	AS4.C235.211

DESCRIPTION OF PARTS



- **Dash mount Radio Bracket:** This plate attaches to vehicle dash over the trim panel of vehicle dash.
- **Dash mount Motorola XTL5000 Faceplate:** The plate attaches to the dash mount radio bracket and accommodates the XTL5000 radio.
- **Mic Clip Holder(90.C128.166):**The MIC clip helps in attaching and holding the microphone. It can be purchased separately.

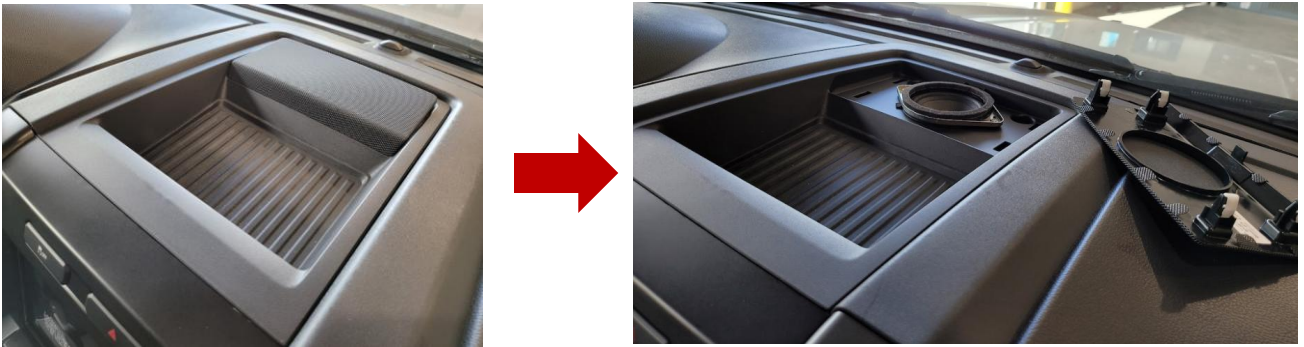
INSTALLATION INSTRUCTIONS

Tools and hardware required:

- Socket set suitable for #1/4-20 Hex Allen wrench
- 1/4-20 Hex socket head wrench
- 7mm wrench
- Φ 1/4" Drill
- 1/4" bolts and nuts

Step 1

Gently pry and remove the OEM speaker trim on top of the dash.



Step 2

Remove two OEM screws by using the 7mm wrench beside the speaker



INSTALLATION INSTRUCTIONS

Step 3

Gently pry and remove the top plate and unplug the OEM cable underneath.



INSTALLATION INSTRUCTIONS

Step 4

Put the dash mount radio bracket on top, and mark the four holes



Step 5

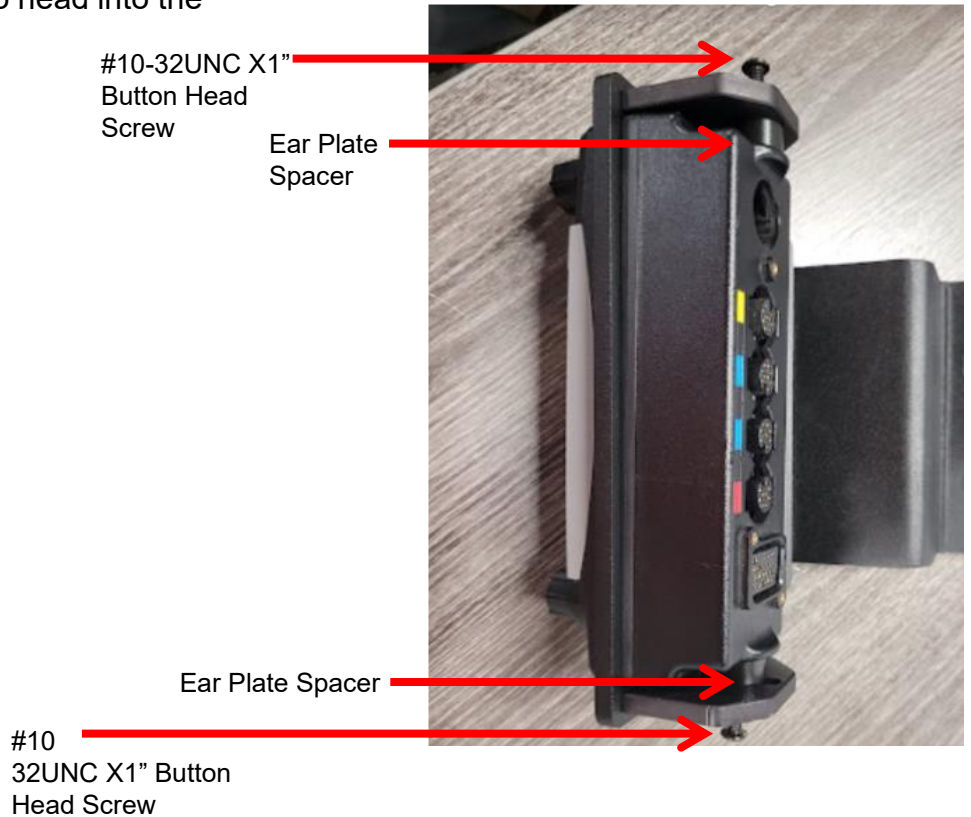
Drill the marked holes by using $\Phi 1/4$ " drill



INSTALLATION INSTRUCTIONS

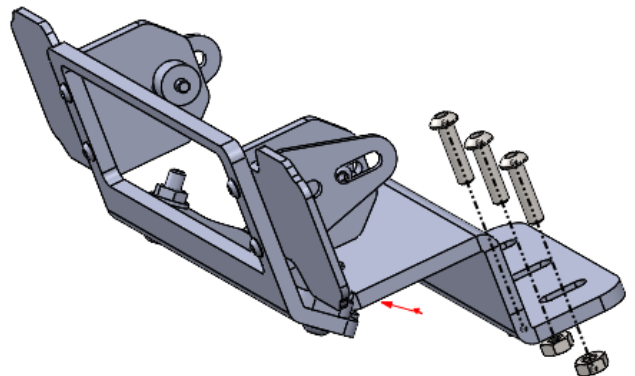
Step 6

Assemble the radio head into the faceplate.



Step 7

Place the plate assembly on top of the tray and use the 1/4" bolts and nuts tighten it.(0.75" or longer bolts and Loctite are recommended)



INSTALLATION INSTRUCTIONS

Step 8

Put the whole assembly back to the vehicle and make sure everything is tight and secure.

