



2020+ SILVERADO HEADLINER MOUNT USER GUIDE

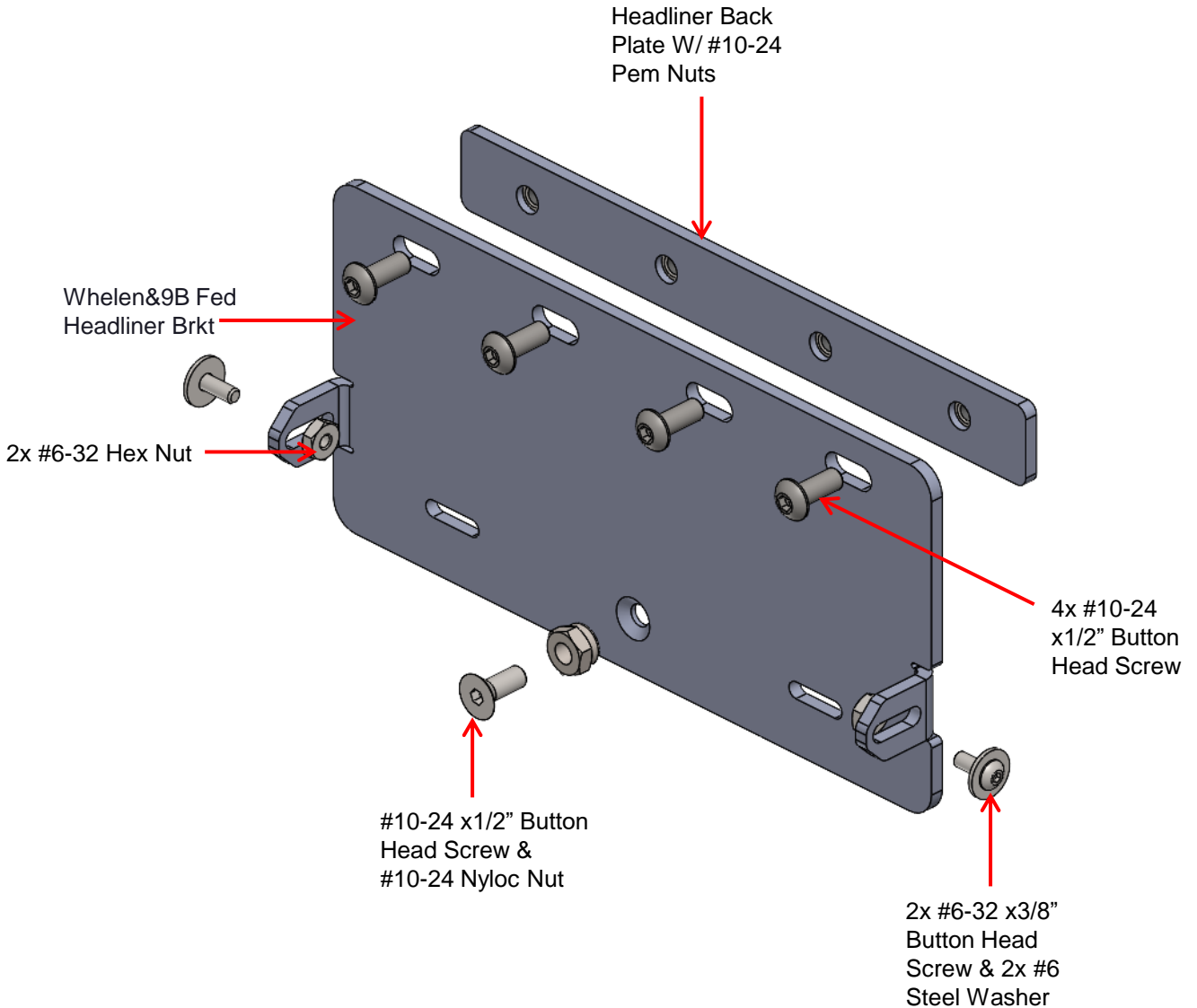
Description	Part Number
2020+ SILVERADO HEADLINER MOUNT FOR WHELEN CENCOM AND FED SIGNAL PATHFINDER (9 BUTTONS)	AS4.C244.012

Product Mounting Disclaimer

Precision Mounting Technologies Ltd (PMT) are not liable under any theory of contract or tort law for any loss, damage, personal injury, special, incidental or consequential damages for personal injury or other damage of any nature arising directly or indirectly as a result of the improper installation or use of its products in vehicle or any other application. In order to safely install and use PMT products full consideration of vehicle occupants, vehicle systems (i.e., the location of fuel lines, brake lines, electrical, drive train or other systems), air-bags and other safety equipment is required. PMT specifically disclaims any responsibility for the improper use or installation of its products not consistent with original vehicle manufactures' specifications and recommendations, PMT product instruction sheets, or workmanship standards as endorsed through PMT policies and EULA.



DESCRIPTION OF PARTS



INSTALLATION INSTRUCTIONS

Tools and hardware required:

- Socket set suitable for #10-24 Hex Allen wrench
- Socket set suitable for #6-32 Hex Allen wrench
- $\Phi 3/16$ " drill

Step 1 (For Whelen Cencom):

Insert #6-32 hex nut on each side of the slot from the unit. Place the cencom unit on top of the bracket and using the supplied 2x #6-32 button head screws and washer to tighten it.



Step 1 (For Fed Signal Pathfinder- 9 Buttons):

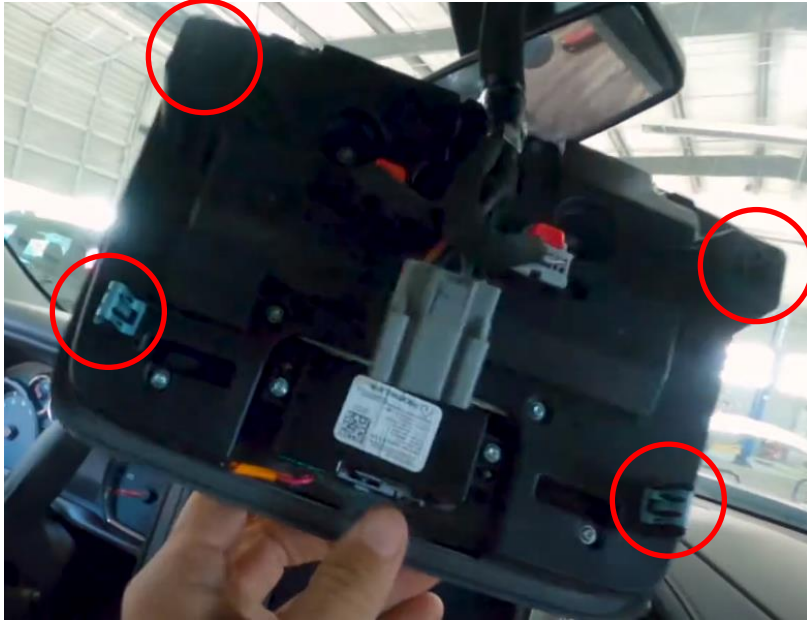
Place the cencom unit on top of the bracket and using the supplied 2x #6-32 button head screws to tighten it from the back.



INSTALLATION INSTRUCTIONS

Step 2

Remove the OEM headliner temporarily



Step 2.1

Gently pry and take off the OEM headliner and place the headliner back plate in the desirable place.



INSTALLATION INSTRUCTIONS

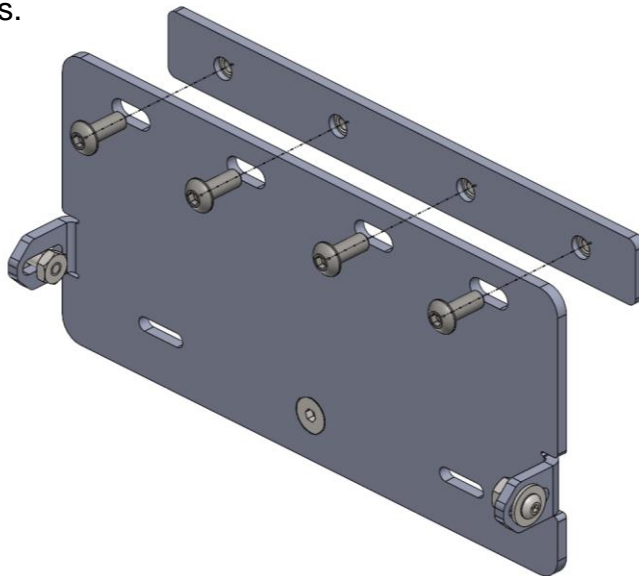
Step 3

Use the $\Phi 3/16$ " drill and drill four holes based on the bracket's location



Step 4

Attach the cencom and bracket assembly by using the supplied 4x #10-24 x1/2" button head screws.



INSTALLATION INSTRUCTIONS

Step 5

Put the roof and the OEM headliner back. Make sure everything is tight and secure.



Whelen Cencom option



Fed Signal Pathfinder (9 button) option

INSTALLATION INSTRUCTIONS

Note

This assembly has been tested on the 2020+ Silverado vehicle, but it could potentially fit on the other vehicles as well.

Please ensure to have minimum 7"x4.5" blank space and the installer can remove the OEM headliner safely to access the backside of the roof. After installation, ensure the device will not block the rear-view mirror.

