



2020+ FORD POLICE INTERCEPTOR SUV WHELEN CENCOM HEADLINER MOUNT USER GUIDE

Description	Part Number
2020+ FORD POLICE INTERCEPTOR SUV HEADLINER MOUNT FOR WHELEN CENCOM	AS4.C244.005
2020+ FORD POLICE INTERCEPTOR SUV D&R HEADLINER MOUNT	AS4.C244.009

Product Mounting Disclaimer

Precision Mounting Technologies Ltd (PMT) are not liable under any theory of contract or tort law for any loss, damage, personal injury, special, incidental or consequential damages for personal injury or other damage of any nature arising directly or indirectly as a result of the improper installation or use of its products in vehicle or any other application. In order to safely install and use PMT products full consideration of vehicle occupants, vehicle systems (i.e., the location of fuel lines, brake lines, electrical, drive train or other systems), air-bags and other safety equipment is required. PMT specifically disclaims any responsibility for the improper use or installation of its products not consistent with original vehicle manufactures' specifications and recommendations, PMT product instruction sheets, or workmanship standards as endorsed through PMT policies and EULA.



PRODUCT VISUALS



INSTALLATION INSTRUCTIONS

Step 1

OEM headliner prior to install



Step 2

Gently use prying tools to OEM headliner



Step 3

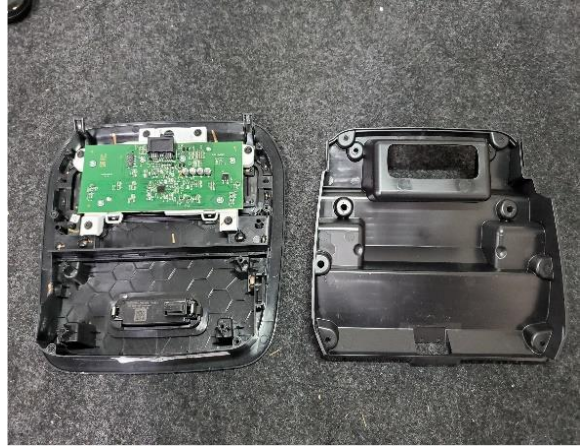
Use T-20 Torx screwdriver to remove 10 T-20 screws from the back cover



INSTALLATION INSTRUCTIONS

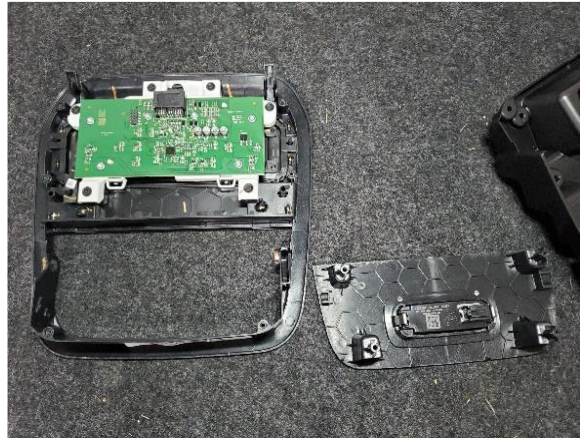
Step 4

Take off the back cover plate



Step 5

Remove the rear dome light section



Step 6

Re-install 10 T-20 Torx screws back and put the headliner back in.



INSTALLATION INSTRUCTIONS

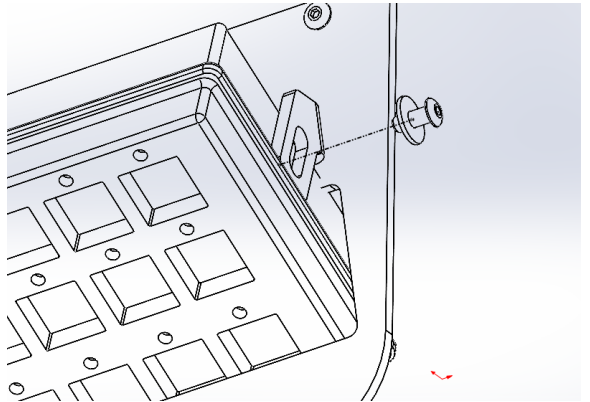
Step 7

Put #6 nut each side into the ear slots on the Whelen controller



Step 8

Use #6 x 3/8" and #6 washer on each side to tight the controller to the headliner plate



Step 9

Put the assembly to the OEM headliner plate, and mark six holes. Use 1/16" drill through those holes.



Step 10

Put the assembly to the OEM headliner plate, and mark six holes. Use 1/16" drill through those holes.

