



2020+ FORD TRANSIT RADIO DASH MOUNT FOR XTL5000 USER GUIDE

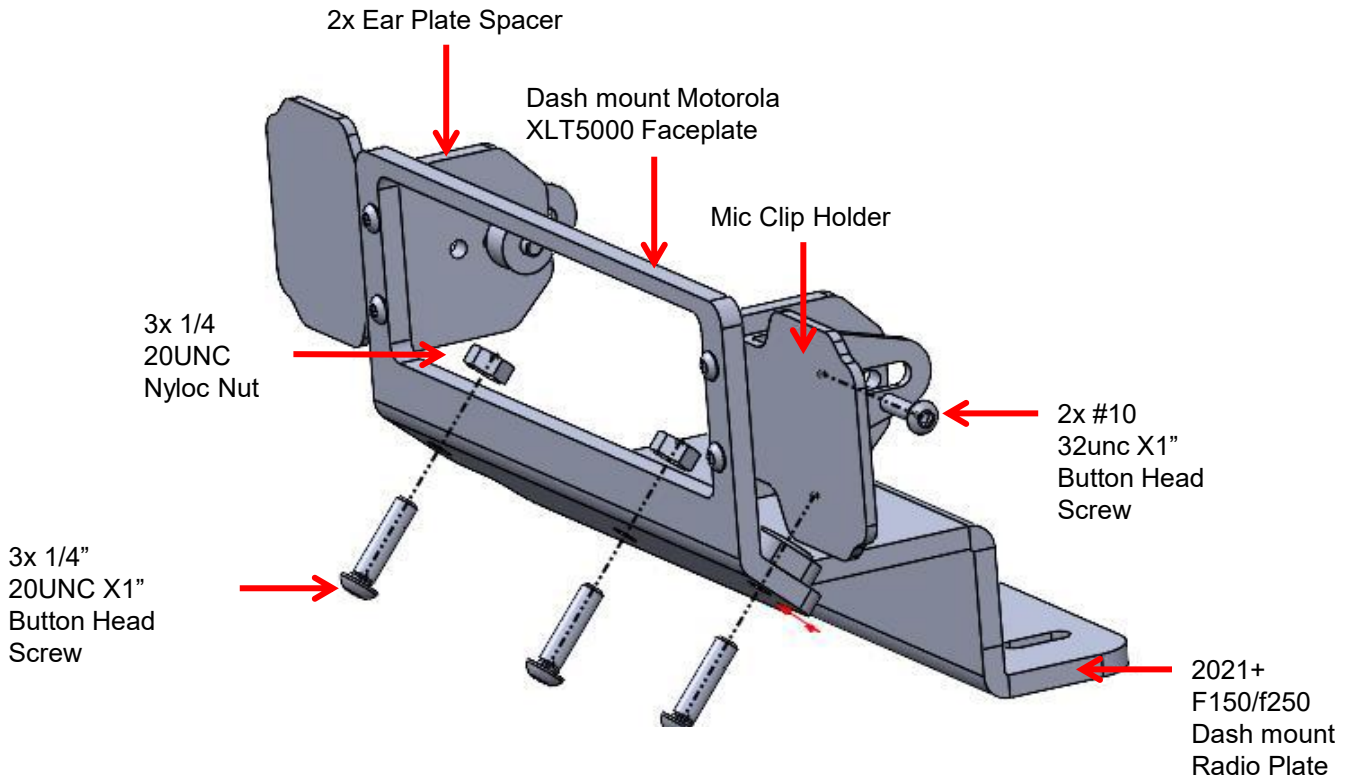
Description	Part Number
2020+ FORD TRANSIT RADIO DASH MOUNT PLATE	40.C235.051
MOTOROLA XTL5000 DASH MOUNT FACEPLATE	AS4.C235.201

Product Mounting Disclaimer

Precision Mounting Technologies Ltd (PMT) are not liable under any theory of contract or tort law for any loss, damage, personal injury, special, incidental or consequential damages for personal injury or other damage of any nature arising directly or indirectly as a result of the improper installation or use of its products in vehicle or any other application. In order to safely install and use PMT products full consideration of vehicle occupants, vehicle systems (i.e., the location of fuel lines, brake lines, electrical, drive train or other systems), air-bags and other safety equipment is required. PMT specifically disclaims any responsibility for the improper use or installation of its products not consistent with original vehicle manufactures' specifications and recommendations, PMT product instruction sheets, or workmanship standards as endorsed through PMT policies and EULA.



DESCRIPTION OF PARTS



- **Dash mount Radio Plate:** This plate attaches to vehicle dash over the trim panel of vehicle dash.
- **Dash mount Motorola Xtl5000 Faceplate:** The plate attaches to the dash mount radio bracket and accommodates the XTL5000 radio.
- **MIC CLIP HOLDER(90.C128.166):** The MIC clip helps in attaching and holding the microphone. It can be purchased separately.
- **Other radio head faceplates are also available. Please contact PMT for more information**

INSTALLATION INSTRUCTIONS

Tools and hardware required:

- Socket set suitable for #1/4-20 Hex Allen wrench
- 1/4-20 Hex socket head wrench
- Φ 1/4" Drill
- 1/4" bolts and nuts

Step 1

Gently pry and remove the OEM trim on top of the dash



INSTALLATION INSTRUCTIONS

Step 2

Put the dash mount radio plate on top and mark the holes.



Step 3

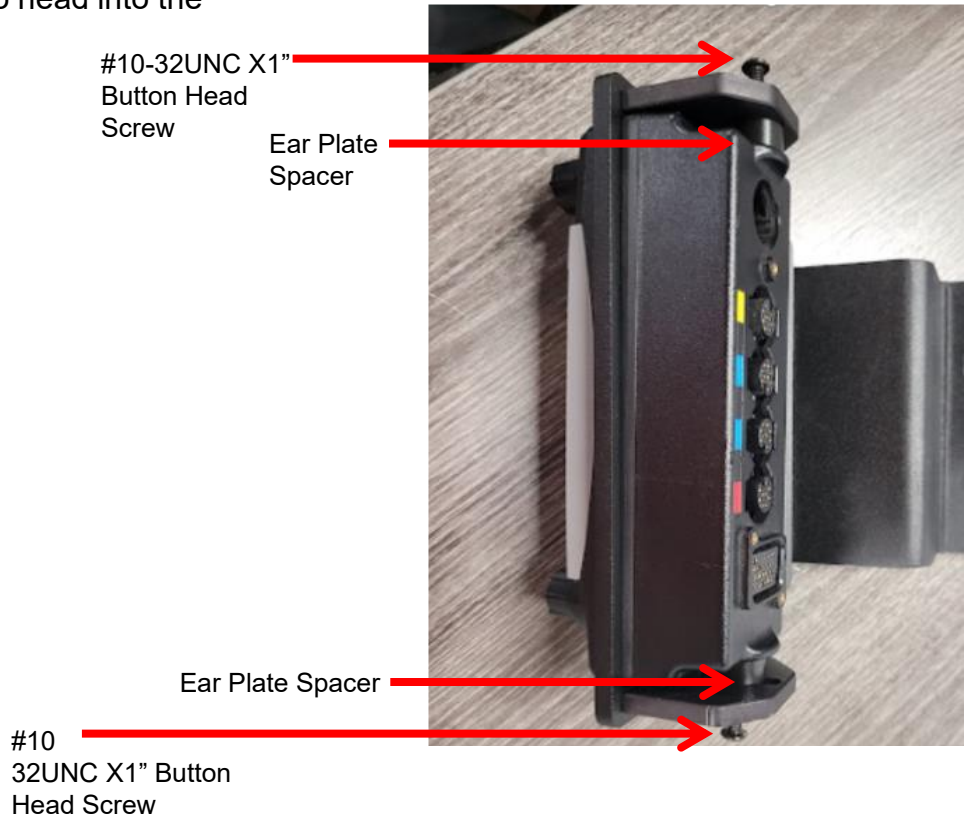
Drill the marked holes by using $\Phi 1/4$ " drill



INSTALLATION INSTRUCTIONS

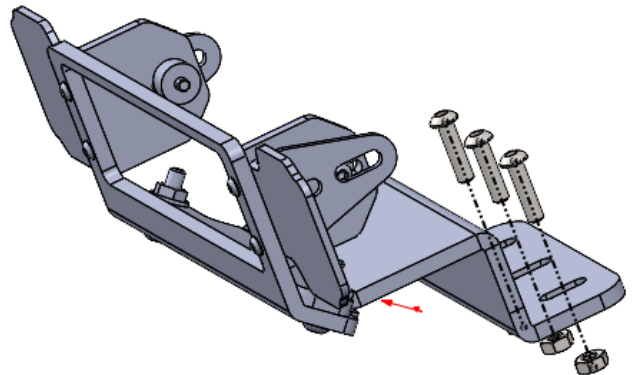
Step 4

Assemble the radio head into the faceplate.



Step 5

Place the plate assembly on top of the tray and use the 1/4" bolts and nuts tighten it.(0.75" or longer bolts and Loctite are recommended)



INSTALLATION INSTRUCTIONS

Step 6

Put the whole assembly back to the vehicle and make sure everything is tight and secure.

