



## 2015-2020 CHEVROLET TAHOE CONSOLE INSTALLATION GUIDE

Description	Part Number
2015-2020 CHEVROLET TAHOE CONSOLE	AS4.C228.301/302/305
2015-2020 CHEVROLET TAHOE PRINTER CONSOLE	AS4.C228.311/312/315

### Product Mounting Disclaimer

Precision Mounting Technologies Ltd (PMT) are not liable under any theory of contract or tort law for any loss, damage, personal injury, special, incidental or consequential damages for personal injury or other damage of any nature arising directly or indirectly as a result of the improper installation or use of its products in vehicle or any other application. In order to safely install and use PMT products full consideration of vehicle occupants, vehicle systems (i.e., the location of fuel lines, brake lines, electrical, drive train or other systems), air-bags and other safety equipment is required. PMT specifically disclaims any responsibility for the improper use or installation of its products not consistent with original vehicle manufactures' specifications and recommendations, PMT product instruction sheets, or workmanship standards as endorsed through PMT policies and EULA.



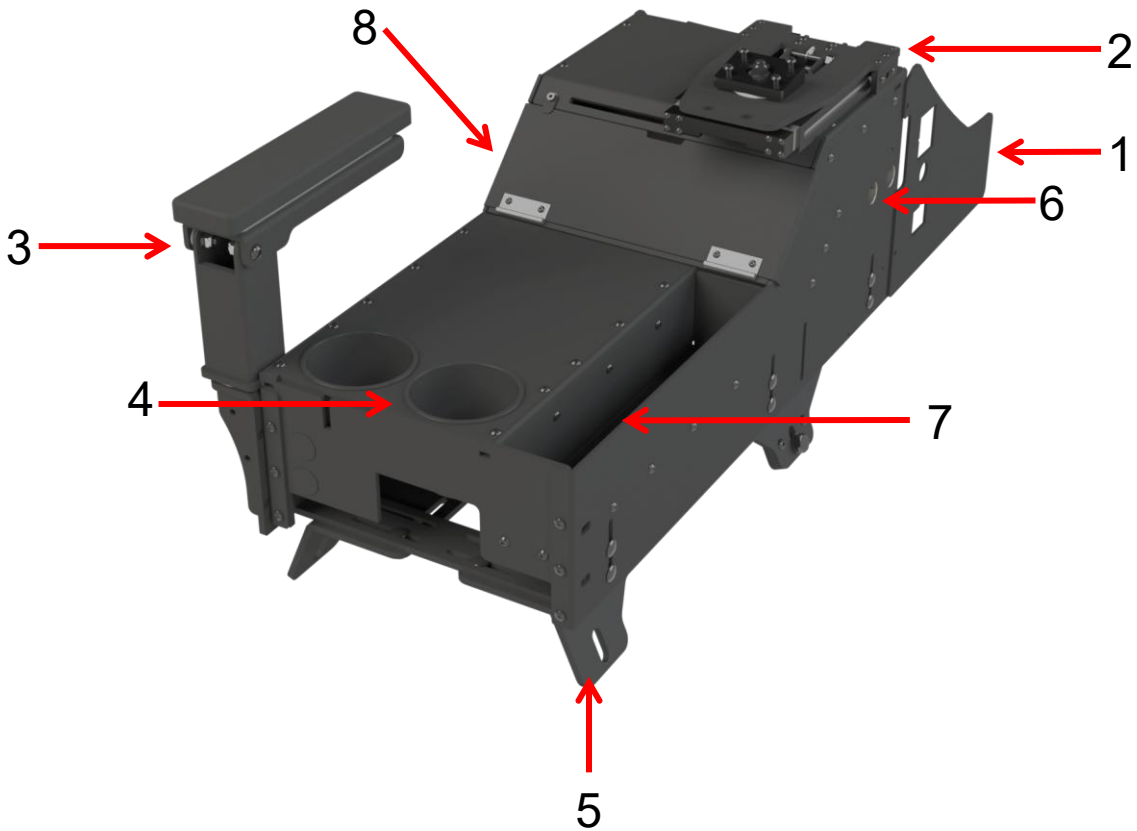
# PRODUCT VISUALS



Console shown above with optional blank faceplates, side break-away armrests, dual cup holder, mousetrap motion mount with tilt and docking station.

# DESCRIPTION OF PARTS

AS4.C228.312



1. Right Trim Panel - Passenger Side Wing
2. Mousetrap With Wedge Tilt To Mount Docking Stations
3. Side Mount Arm Rest
4. Cup Holder
5. Mounting Leg Kit
6. 12 Volt Charging Outlet
7. Side Pocket Storage
8. In-Console printer kit

# INSTALLATION INSTRUCTIONS

## Step 1

Install base brackets so that the cantilevered end goes towards the front of the vehicle as shown. The holes on the vertical part of the brackets line up with holes on the hump of the vehicle itself. The cantilevered end of the brackets also has a spacer screwed to the inside which will help identify direction. Use this time to insert the supplied 1/4-20 x 1-1/4" carriage bolts in the slots as pictured for mounting the console in a later step.

Use the supplied M10 x 40mm bolts to attach the front of the brackets to the vehicle and use the bolts that came with the vehicle to attach the rear end of the brackets to the vehicle. Do not fully tighten bolts yet. Note that some models of vehicles may need the holes in the hump threaded to match the bolt used.



# INSTALLATION INSTRUCTIONS

## Step 2

Place console on top of Base Brackets as shown and so that the front of the console is as close to the dash as possible. The cross brackets inside the console should line up with the Base Bracket slots and carriage bolts that were inserted in step 1. Insert and loosely tighten any remaining carriage bolts and nuts so there is a minimum of 2 carriage bolts per cross bracket for a total of 6 bolts attaching the console to the Base Brackets.



# INSTALLATION INSTRUCTIONS

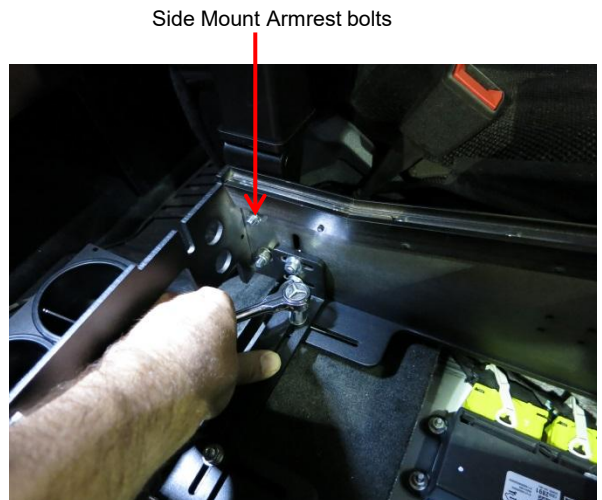
## Step 3

Go back and fully tighten the 4 bolts attaching the Base Brackets to the vehicle now that all bolts are in place, and console is positioned where you want it.



You can now go inside the console and tighten all bolts including the bolts attaching the cross brackets to the console itself.

If not already attached, install the side mount armrest to the driver side of the console at this time.



# INSTALLATION INSTRUCTIONS

## Step 4

Attach left and right trim plates by lining up with the console and dash and attaching to console with two screws (not provided) per side as shown



Install any electrical ports into the right (passenger) side trim panel as shown

# INSTALLATION INSTRUCTIONS

## Step 5 : Installing Face Plates

Install the optionally supplied: dual cup holder plate, blank filler plates, radio faces plates, and laptop mounting plates.

The plates are secured to the console using the supplied 10-24 nuts that are slid into the console rails, and then fastened with the supplied 10-24 x 5/8" screws.



## Tip

PMT consoles use a "floating nut" style rail for attaching face plates to the console. In the consoles that have angled rails, foam inserts are used to help position the nuts for easier alignment with the face plates mounting screws. Use an Allen (hex) key to position the foam and nut where desired, then mount the face plate.



## Step 6

Go over everything to make sure that everything is fully tightened and secure.

Adjust positioning and go over how the built-in adjustments are used to maximize comfort, safety and functionality.

