



# 2012-2019 FORD POLICE INTERCEPTOR® UTILITY CONSOLES USER GUIDE

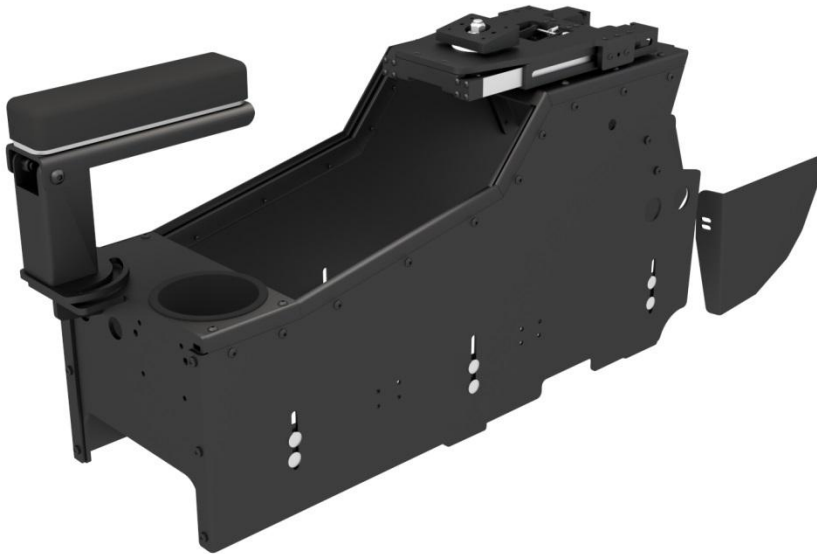
Description	Part Number
2012-2019 FORD POLICE INTERCEPTOR® UTILITY CONSOLE	AS4.C237.201
2012-2019 FORD POLICE INTERCEPTOR® UTILITY CONSOLE WITH MOUSETRAP	AS4.C237.202
2012-2019 FORD POLICE INTERCEPTOR® UTILITY CONSOLE BOX	AS4.C237.205

#### Product Mounting Disclaimer

Precision Mounting Technologies Ltd (PMT) are not liable under any theory of contract or tort law for any loss, damage, personal injury, special, incidental or consequential damages for personal injury or other damage of any nature arising directly or indirectly as a result of the improper installation or use of its products in vehicle or any other application. In order to safely install and use PMT products full consideration of vehicle occupants, vehicle systems (i.e., the location of fuel lines, brake lines, electrical, drive train or other systems), air-bags and other safety equipment is required. PMT specifically disclaims any responsibility for the improper use or installation of its products not consistent with original vehicle manufactures' specifications and recommendations, PMT product instruction sheets, or workmanship standards as endorsed through PMT policies and EULA.



# PRODUCT VISUALS



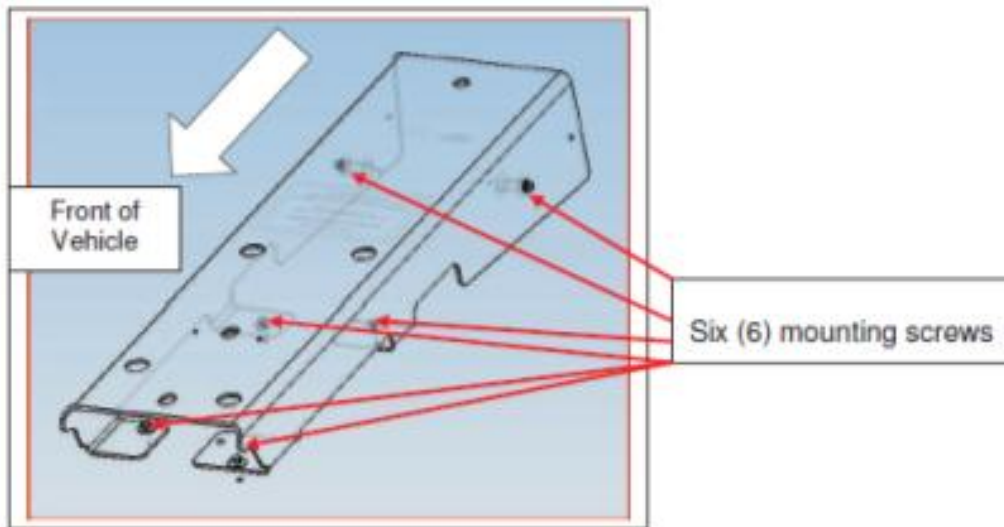
Standard Interceptor utility console with  
break-away armrest and Mousertrap Motion Mount

# INSTALLATION INSTRUCTIONS

## Step 1



**Removal process for center console mounting plate:**



1. Remove six screws that secure the console mounting plate to the body
2. Slide the console mounting plate forward in vehicle approximately 13mm (0.5in.) until contact is made with the instrument panel
3. Lift the rearward end of the console mounting plate at approximately 45° angle upwards while holding the front end of the console mounting plate down.
4. Remove the console mounting plate by lifting rearward along 45° angle

**Note:** An extra step is needed to remove the steel hump plate, see next page for detail.

# INSTALLATION INSTRUCTIONS

## Step 1.1

To remove the steel hump bracket in the utility it is first necessary to remove the side plastic trim that runs along the side of the centre column. Remove by gently pulling it away and releasing the clips.

Once the side trim is removed, the centre section that houses the 12v outlets can also be removed. This is done by removing the 2 screws and gently pulling out releasing the clips.

Screws



Once the side trim and centre section is removed, install supplied side trim back into position as shown using the same hardware that held the original trim.



Driver side trim panel

# INSTALLATION INSTRUCTIONS

## Step 2

Now that the steel plate is removed it will be helpful to trim back some of the plastic floor covering material.

Remove just enough so that you can release the clips holding the wires tight to the metal panel



# INSTALLATION INSTRUCTIONS

## Step 2.1

Install the front two brackets under the wires and secure them using the bolts that were used with the original steel hump plate. Do not tighten completely until later in the installation.

The factory rear steel bracket assembly cannot be removed, so install the supplied rear mounting bracket with the notch cut-out facing rear as shown to the left. It may be necessary to insert washers or a spacer over the studs to avoid clearance issues with factory welds on the vehicles steel bracket.

Supplied rear console mounting bracket

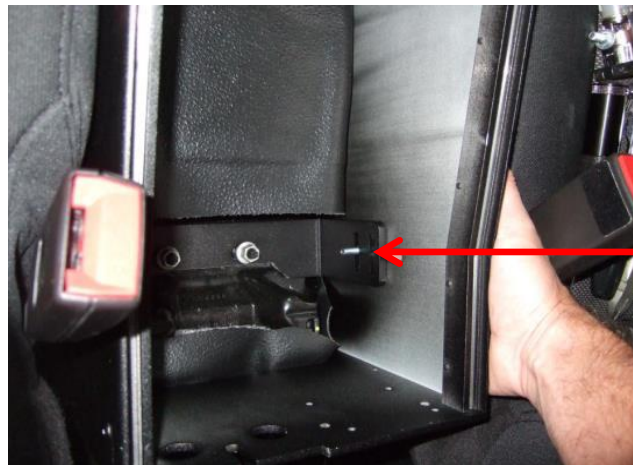
Factory rear steel bracket assembly



# INSTALLATION INSTRUCTIONS

## Step 3

Install the side carriage bolts (supplied) that secure the console to the mounting brackets by sliding them down and holding with one hand, then use a plain washer, split lock washer, then the nut. Do not tighten until all bolts (12 in total) are installed and the position of the console is as desired.



Side carriage bolt

The console should line up as shown below.



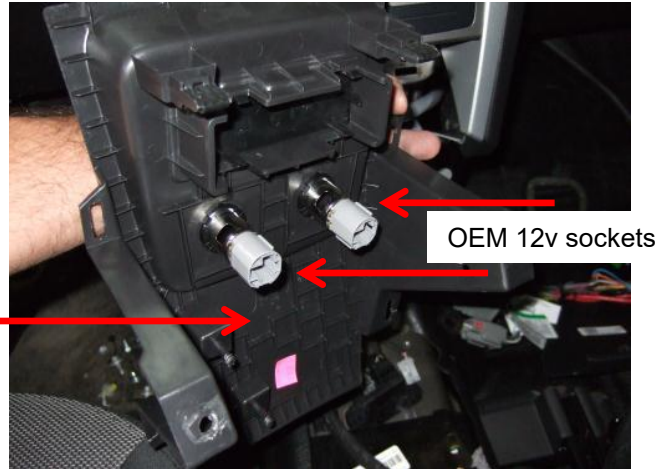
# INSTALLATION INSTRUCTIONS

## Step 4

Remove the original OEM 12v sockets from the centre trim panel removed in an earlier step, for re-install into the new console. Once installed in the new console, re-connect the wiring that originally lead to them.

## Note

Keyless entry receiver module is mounted to this trim panel from the factory. Remove it from the panel (leaving all wiring hooked up) and secure it somewhere in the new console or under the dash.



Install the optionally supplied: armrest/cupholder plate, blank filler plates, radio faces plates, and laptop mounting plates.

The plates are secured to the console using the supplied 10-24 nuts that are slid into the console rails and then fastened with the supplied 10-24 x 5/8" screws.

## Tip

PMT consoles use a "floating nut" style rail for attaching face plates to the console. In the consoles that have angled rails, foam inserts are used to help position the nuts for easier alignment with the face plates mounting screws. Use an allen key to position the foam and nut where desired, then mount the face plate.



# INSTALLATION INSTRUCTIONS

## Step 5

Go over everything to make sure that everything is fully tightened and secure.

Adjust positioning and go over how the built-in adjustments are used to maximize comfort, safety and functionality.

