



TABLET ENCLOSURE STAND USER GUIDE

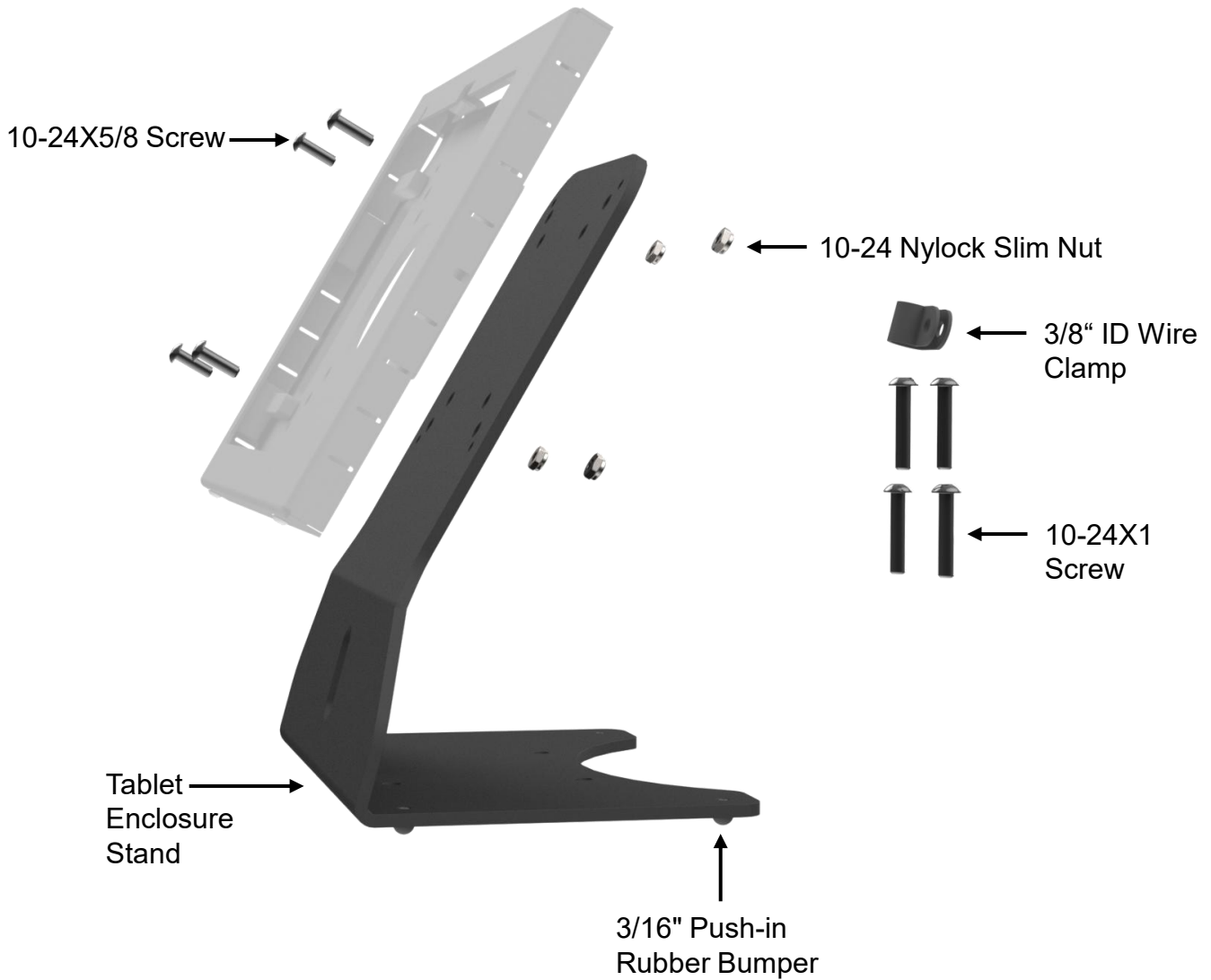
Description	Part Number
TABLET ENCLOSURE STAND	AS5.T500.017

Product Mounting Disclaimer

Precision Mounting Technologies Ltd (PMT) are not liable under any theory of contract or tort law for any loss, damage, personal injury, special, incidental or consequential damages for personal injury or other damage of any nature arising directly or indirectly as a result of the improper installation or use of its products in vehicle or any other application. In order to safely install and use PMT products full consideration of vehicle occupants, vehicle systems (i.e., the location of fuel lines, brake lines, electrical, drive train or other systems), air-bags and other safety equipment is required. PMT specifically disclaims any responsibility for the improper use or installation of its products not consistent with original vehicle manufactures' specifications and recommendations, PMT product instruction sheets, or workmanship standards as endorsed through PMT policies and EULA.



DESCRIPTION OF PARTS



Note: Tablet Enclosure Sold Separately

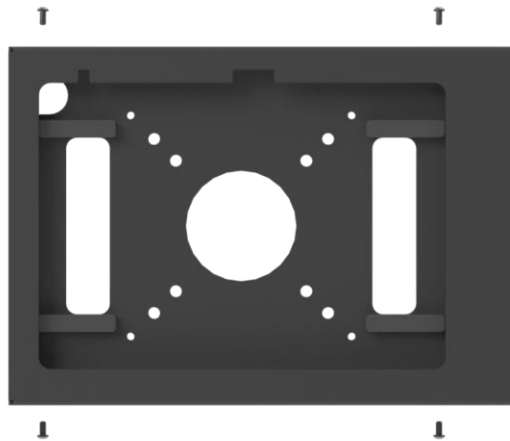
INSTALLATION INSTRUCTIONS

Tools required:

- 1/8" Allen Wrench
- 3/8" Ratchet / Wrench
- 5/64" Allen Wrench

Step 1

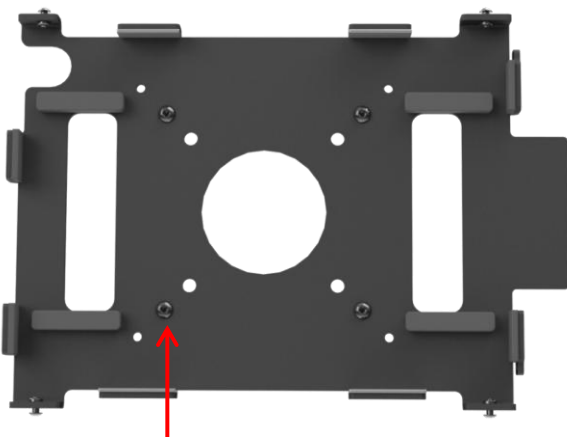
Using a 5/64" Allen Wrench, remove the 4x cover screws so the front cover plate can be removed.



Step 2

Attach rear panel to mounting surface of the Tablet Enclosure Stand using provided hardware.

Note: the enclosure can be mounted in landscape or portrait.



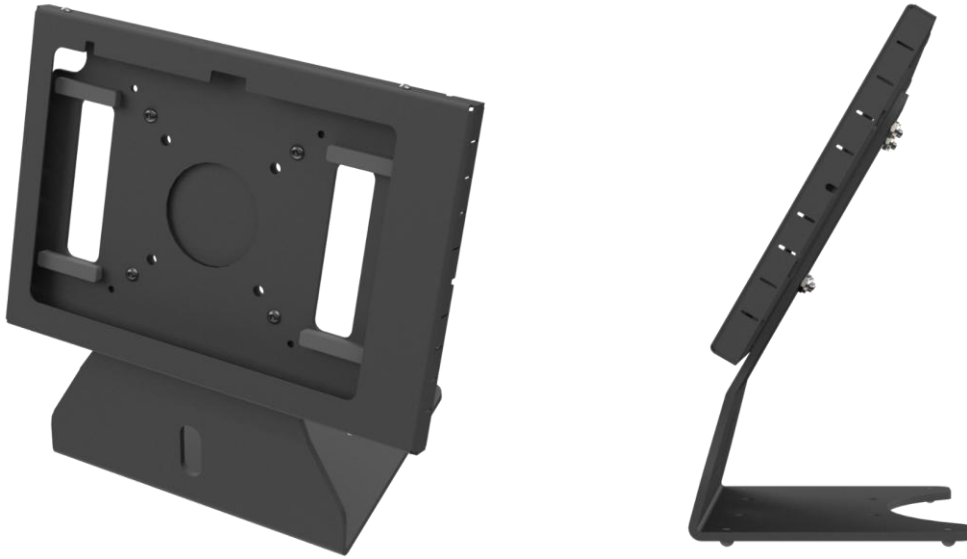
Mounting screws (4x)



INSTALLATION INSTRUCTIONS

Step 3

Place the tablet in the mount. Align the front cover plate over the unit. Carefully re-attach the 4x screws to secure the front cover to the rear panel.



Installation complete.