

## STARLINK STANDARD MOUNT

Description	Part Number
STARLINK STANDARD MOUNT	AS5.T500.011

# GENERAL INSTRUCTIONS

## Safety:

- Safety is dependent on the proper installation and servicing of this product. It is important to read and follow all instructions before installing this product.
- Proper installation requires a good understanding of automotive electrical systems and is recommended to be performed by qualified technicians only.
- There are no adjustments or user serviceable parts within this product. Opening the case will void the product warranty
- Do not install equipment or route wires in the deployment path of any air bag, or where it may interfere with critical safety or operating controls of any vehicle.

## Wiring:

- PMT does not recommend relying on a cigarette socket adaptor for powering critical equipment. We recommend hard wiring using a good clean ground direct from the vehicle battery neg(-) post, and pos(+) supply from a fused location also directly from the vehicle battery.
- Visit <https://www.precisionmounts.com/product-information> for a copy of our general wiring and troubleshooting guide.

## Proper Use and Care:

- Proper care and use of this product is critical to maximize safety
- Clean equipment using a mild soap and water mix only
- Never use damaged equipment
- Inspect and tighten hardware periodically as required
- Contact PMT for product and service support

## SERVICING [ENTRETIEN]:

- If this product does not work as intended, please contact PMT for troubleshooting or to schedule a service. *[Si le dock ne fonctionne pas comme prévu, contactez PMT pour le dépannage ou pour planifier un service.]*
- Service should be only done by authorized service center personnel. Unauthorized servicing of the unit will void its warranty. *[L'entretien du dock ne doit être effectué que par le personnel du centre de service autorisé. Un entretien non autorisé du dock annulera sa garantie.]*

### Product Mounting Disclaimer

Precision Mounting Technologies Ltd (PMT) are not liable under any theory of contract or tort law for any loss, damage, personal injury, special, incidental or consequential damages for personal injury or other damage of any nature arising directly or indirectly as a result of the improper installation or use of its products in vehicle or any other application. In order to safely install and use PMT products full consideration of vehicle occupants, vehicle systems (i.e., the location of fuel lines, brake lines, electrical, drive train or other systems), air-bags and other safety equipment is required. PMT specifically disclaims any responsibility for the improper use or installation of its products not consistent with original vehicle manufactures' specifications and recommendations, PMT product instruction sheets, or workmanship standards as endorsed through PMT policies and EULA.

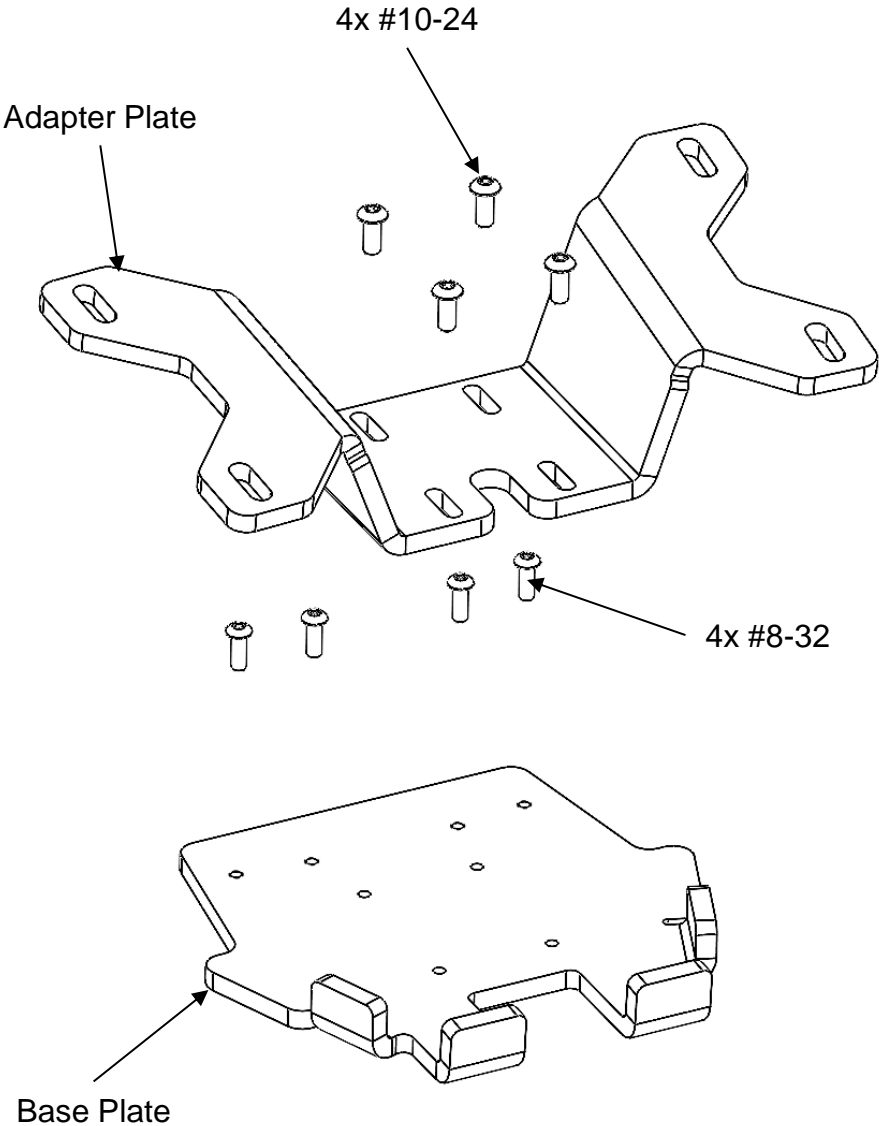


# PRODUCT VISUAL



# PARTS & HARDWARE DESCRIPTION

AS5.T500.011



Note: We do not supply the hardware to attach the adapter plate to your desired mounting location.

# INSTALLATION INSTRUCTIONS

## Tools and hardware required:

- Imperial Allen keys

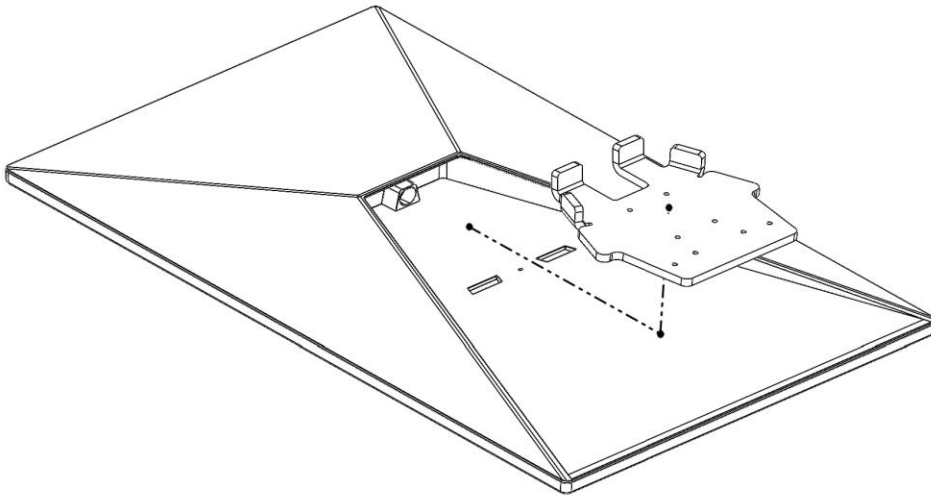
## Installation parts:

Quantity	Description
1	Base Plate
1	Adapter Plate
4	#8-32 Socket Head Screws
4	#10-24 Socket Head Screws

# INSTALLATION INSTRUCTIONS

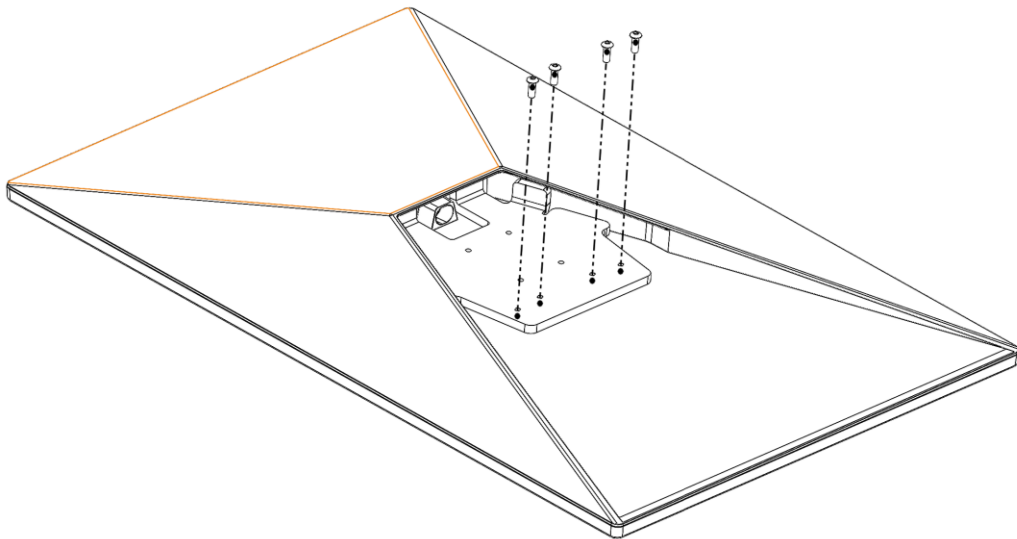
## Step 1

Slide the base plate into the Starlink Standard until the front tabs are flush with the Starlink.



## Step 2

Attach the base plate to the Starlink with the #8-32 hardware.



# INSTALLATION INSTRUCTIONS

## Step 3

Attach the adapter plate to the Starlink using the #10-32 hardware either before or after attaching the adapter plate to the desired mounting location.

