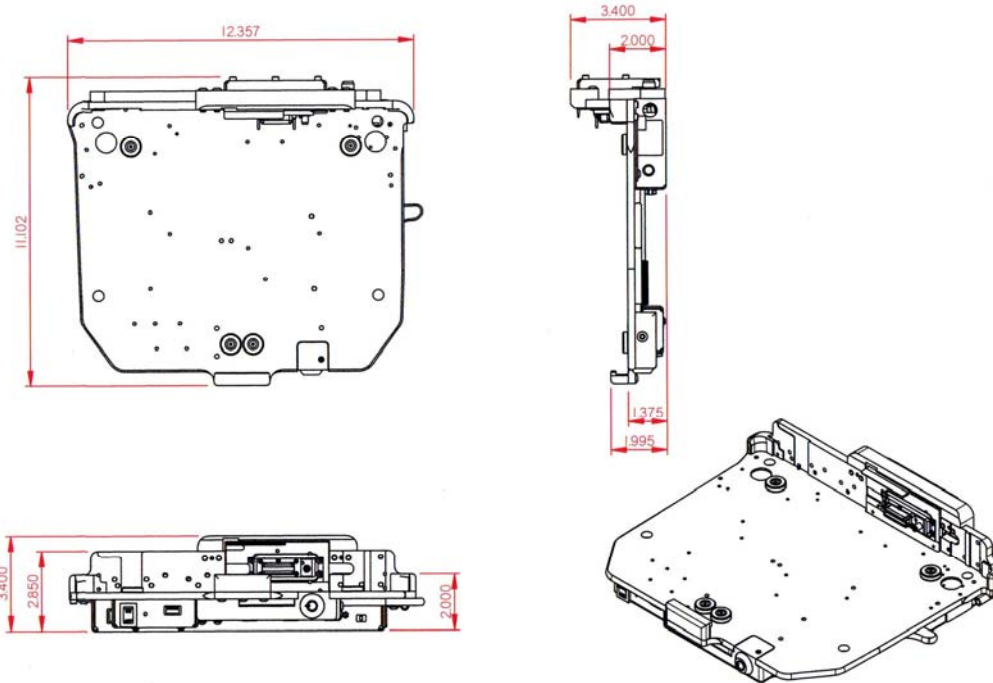


Panasonic CF30 Docking Station Specifications



- Constructed of aircraft grade aluminum
 - It is strong, less prone to vibration and can be worked within end user vehicle repair shops if additions to equipment have to be made. The metal is blunted by keeping edges well rounded and using ¼" inch thick metal wherever impalement possibilities might exist
- Full port replication though a circuit board
 - The Circuit board used inside this docking station is Panasonic manufactured and therefore Panasonic certified and warranted.
 - **The Docking station will provide serial ports, one parallel port and 4 High Speed 2.0 USB ports.**
- Capture Key Locking System
 - The key must be removed from the dock to insure the unit is airbag safe. This docking station is Airbag Safe certified (does not cut the airbag) and is also theft proof to a time of 5 minutes.
- Includes Panasonic authorized Lind Power Cord.
- The CF30 (DP30) docking unit measures 12.375 in. wide x 11.102 in. deep x 3.400 in. high.
- **Note: Precision Mounting Technologies Docking station has passed all military 810EF milstandard testing.**