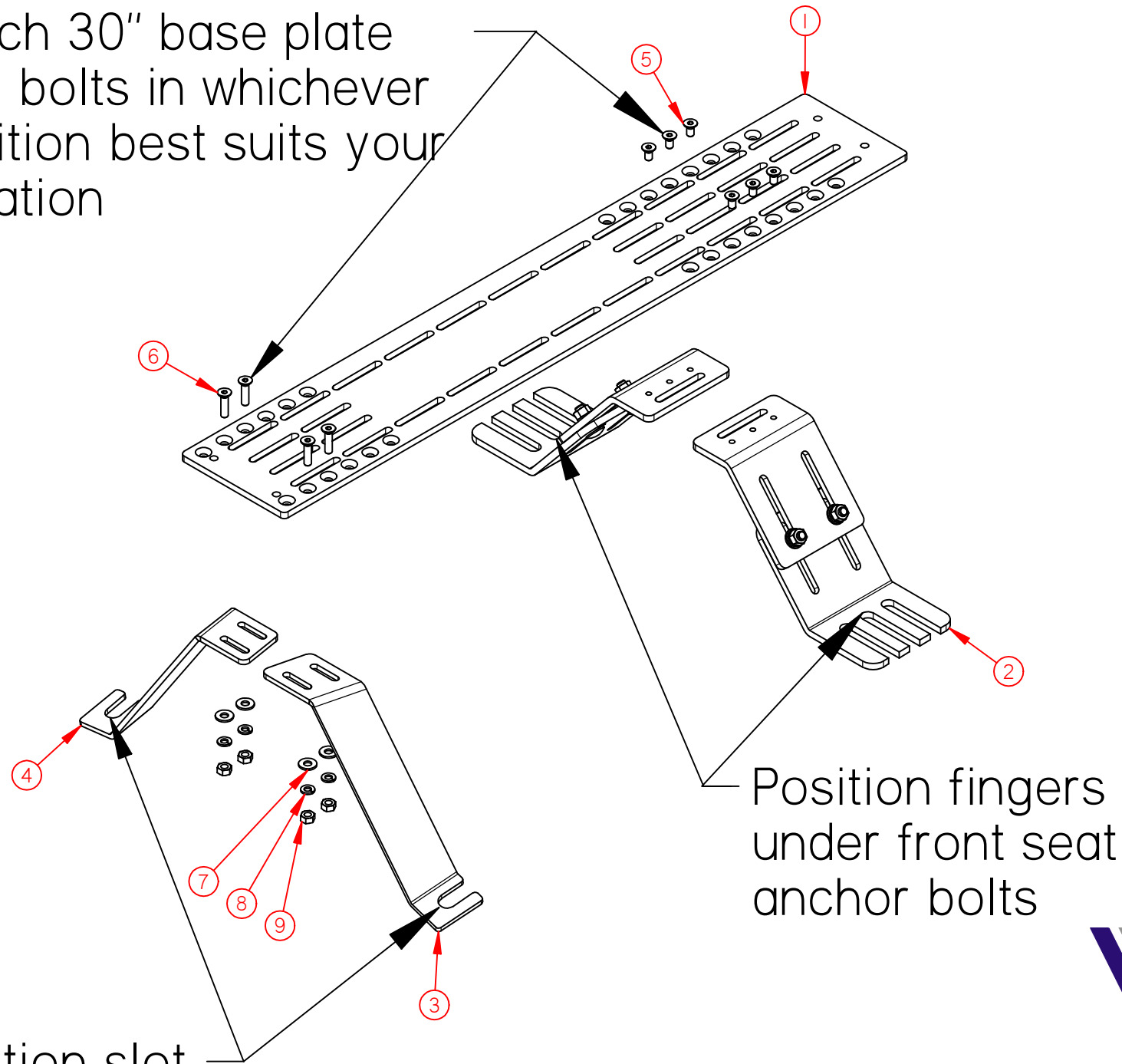
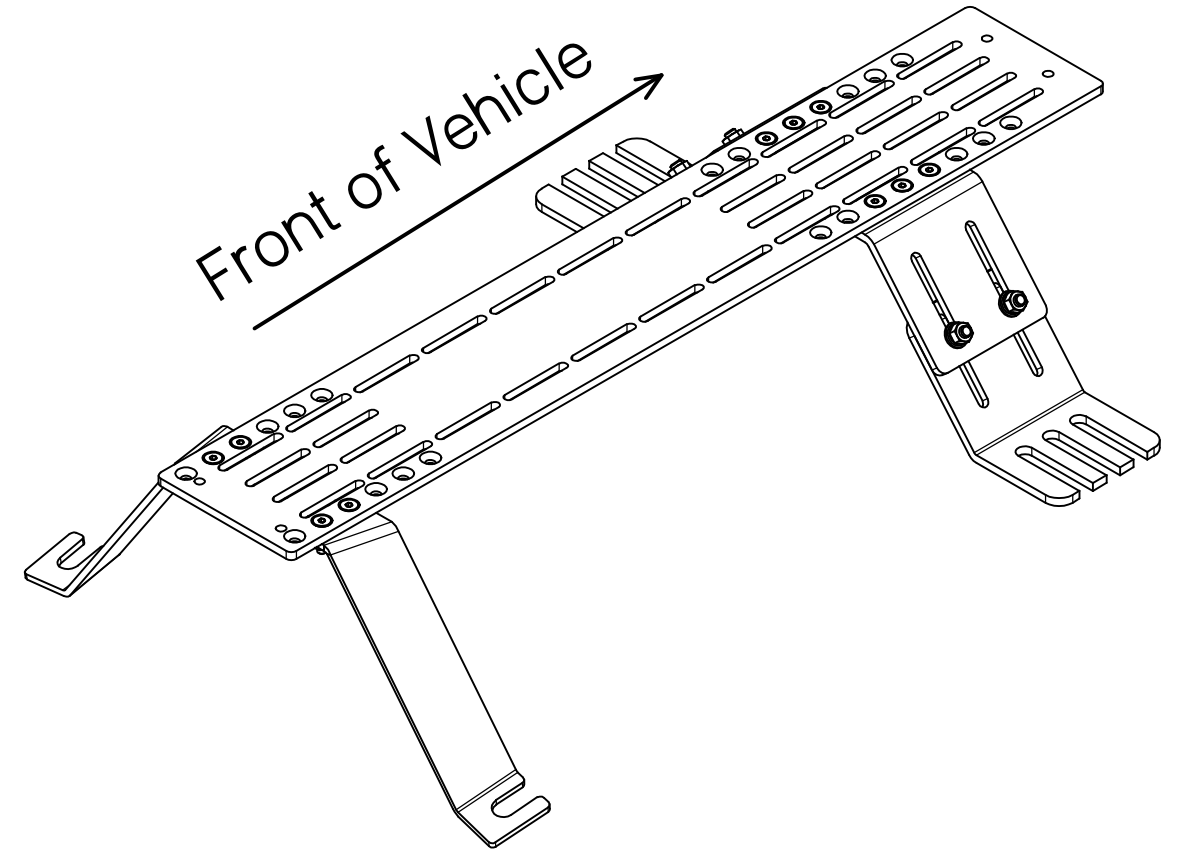


# 30" Base Plate Crown Vic Install Guide

Attach 30" base plate with bolts in whichever position best suits your situation



Position slot under rear anchor bolts



Do not fully tighten hardware until all equipment has been positioned in it's desired location.



2322-49th Ave. South East  
Calgary, Alberta T2B 3E3

Item	Document No.	Title	Qty
1	40.R100.001-1	BASE PLATE - 5" x 30"	1
2	AS4.R101.003	UNDERSEAT BRACKET ASSEMBLY - CROWN VICTORIA	2
3	40.R101.006	MK2 right rear Vic underseat brkt	1
4	40.R101.007	MK2 left rear cr Vic underseat brkt	1
5	Screw	SCREW, cap, flat hex soc hd, 1/4"-20UNC x 1/2"	6
6	Screw	SCREW, cap, flat hex soc hd, 1/4"-20UNC x 1"	4
7	Washer	WASHER, plain, 1/4"N	4
8	Washer	WASHER, split lock, 1/4"	4
9	Nut	NUT, hex, 1/4"-20UNC	4